

SCANCLIMBER®

SC Builders Hoist

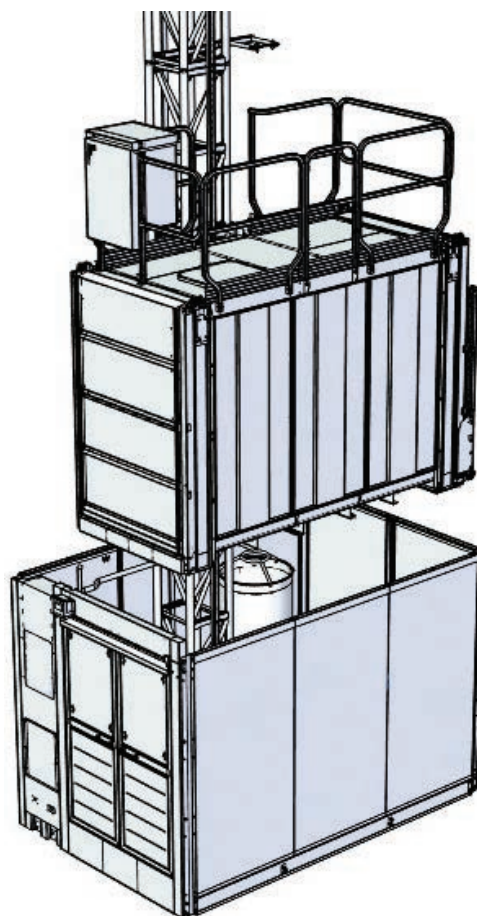
SC1732/1724-48

SC1432/1424-48

SC1132/1124-48

SC0832/0824-48

SC2032-48



SPARE PARTS CATALOGUE

SERIAL NO: _____

SCANCLIMBER OY

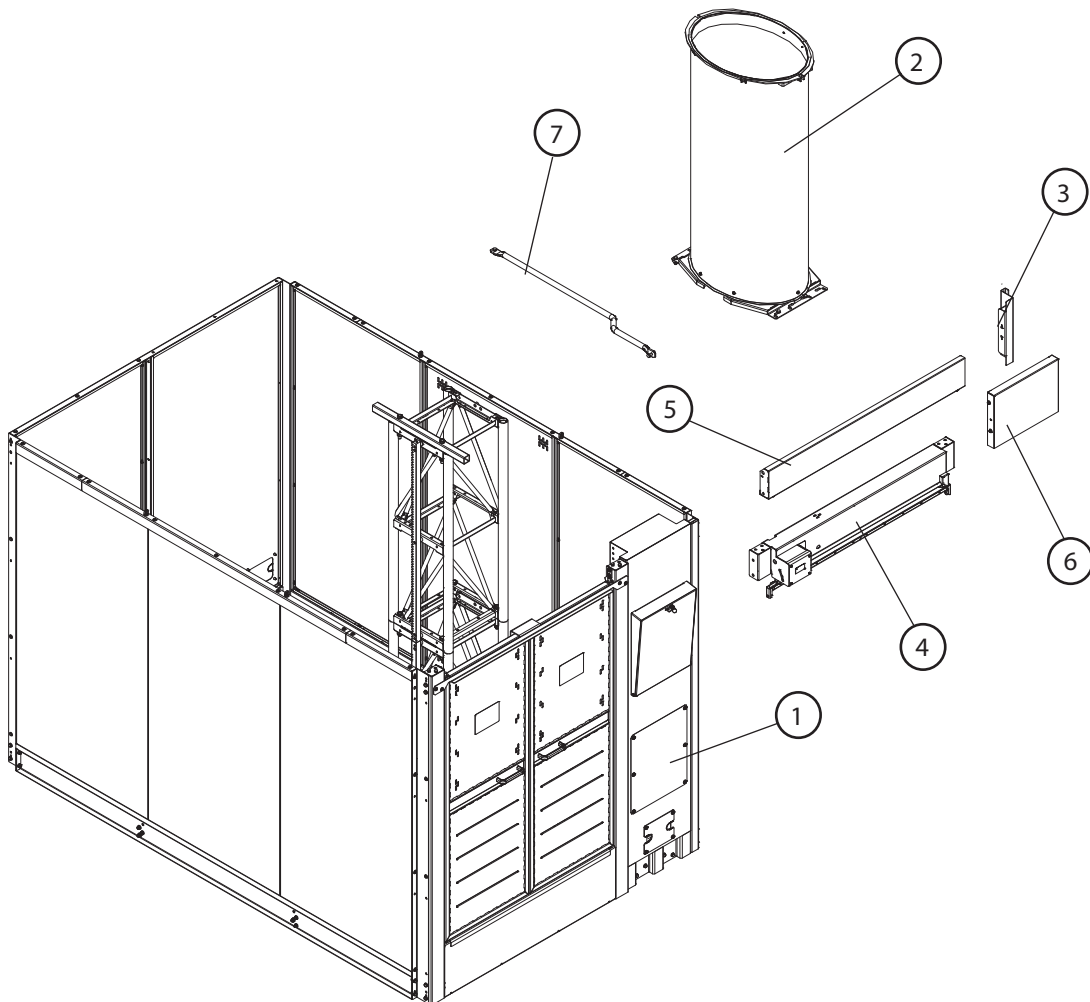
• Turkkirata 26 • FI-33960 PIRKKALA, FINLAND •
• TEL. +358 106 807 000 • FAX. +358 106 807 033 •

Vc70M_01.15

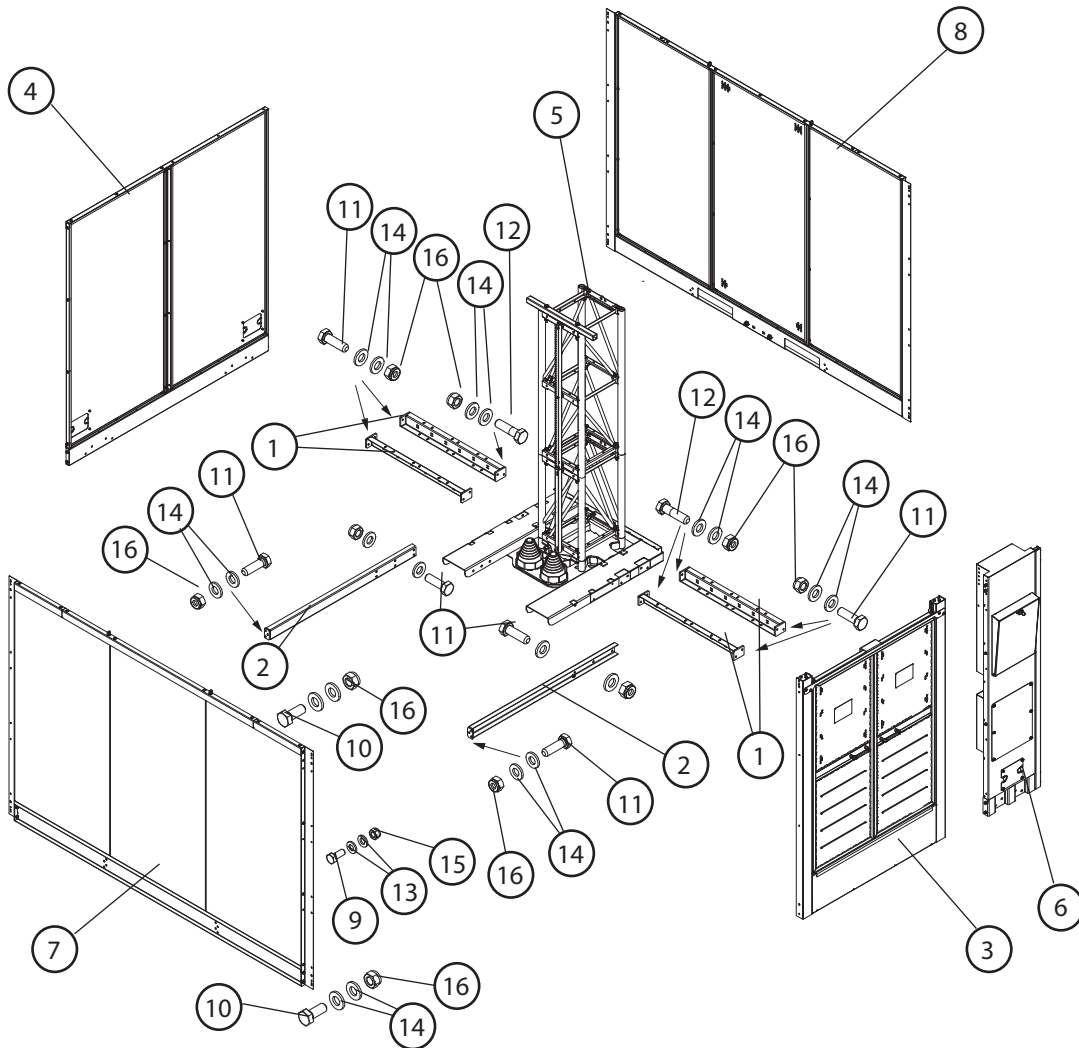
SPARE PARTS LIST

NO	DESCRIPTION	PART NO.
1A	Ground station H48 SCXX32-48 L/H ver. A	PG119766
1A.1	Basic ground station H48 SCXX32-48 L/H ver. A	PG165524
1B	Ground station H48 SCXX24-48 L/H ver. A	PG117861
1B.1	Basic ground station H48 SCXX24-48 L/H ver. A	PG166000
1.1	Mast base complete	PG165443
1.2	Front wall	PG115655
1.3	Back wall	PG115037
1.4	Side wall I SCXX32	PG115046
	Side wall I SCXX24	PG117906
1.5	Side wall II SCXX32	PG115598
	Side wall II SCXX24	PG117911
1.6	Cable drum complete	PG119644
1.7	Buffer assembly	PG116719
1C	Ground station H48 with A+B doors SCXX32	PG167486
1C.1	Basic ground station H48 with A+B doors	PG167488
1C.2	Back wall with doors	PG146532
1D	Ground station H48 ver. TWIN	PG116960
2.1	Mast section H48 complete	PG114065
2.2	Mast section H48 complete TWIN	PG116475
3	Cams	
3.1	Cam	PG116464
3.2	Double cam	PG116461
3.3	Stop landing cam	PG117161
4.1	Anchoring	PG115021
4.2	Standard anchoring -short	PG115276
4.3	Standard anchoring -long	PG115275
4.4.1	Vertical anchoring L-2,7-3,5 m	PG114944
4.4.2	Vertical anchoring L-3,5-5,2 m	PG118369
4.4.3	Vertical anchoring L-4,2-5,2 m	PG117300
4.5	Top anchoring SC2032-48	PG124639
5	Cable guide	
5.1	Cable holder on the cage	PG129693
5.2	Cable guide complete	PG125402
6	Cam on the cage	PG116421
7	Cages H48	
7.1	Basic cage H48 SCXX32 parts	PG165075
7.2	Basic cage H48 SCXX24 parts	PG117297
7.3	Basic cages H48 SCXX24, SCXX32 parts	
7.4	Lock of hatch	PG116993
7.5	Hatch control SCXX32, SC2032-48	PG126593
7.6	Hatch control SCXX24	PG117972
7.7	Railings SCXX32	PG114702
7.8	Railings SCXX24	PG122539
8	Cage door module std. H48	PG114745
8.1	Door console I complete	PG120384

NO	DESCRIPTION	PART NO.
8.2	Door console II complete	PG120389
8.3	Top console assembly I	PG116686
	Top console assembly II	PG116688
8.4	Wire wheel assembly I	PG120371
8.5	Wire wheel assembly II	PG120379
8.6	Door line complete	PG114733
8.7	Counterweight	PG114589
9A	Drive unit (SC14xxL, SC14xx)	PG116531, PG116533
9B	Drive unit (SC14xxF, SC14xxFL)	PG127025, PG166644
9C	Drive unit (SC20xxF-48, SC20xxFL-48)	PG128336, PG166643
9.1	Drive plate	PG116063
	Overload system	PG114778
9.2	Safety device assembly	PG116212
9.3	Safety device assembly SC2032-48	PG114814
9.4	Drive cover	PG124820, PG128651
10	Hydraulic ramp	PG114834
11	Cage - landing bridge	PG124969
11.1	Railing left complete	PG125153
11.2	Railing right complete	PG125155
11.3	Manual opening of landing bridge	PG124623
12A	Sliding gate	PG126557
12B	Sliding gate	PG130099
13A	Landing with stop landing beam	PG122553
13B	Landing	PG116285
13.1	Lower console - long	PG117114
13.1	Lower console - short	PG117115
13.2	Landing door compl.	PG117230
13.3	Landing wall	PG116215
14	Landing gate	PG106451
14.1	Half gate right complete	PG106389
14.2	Half gate left complete	PG106387
15A	Landing gate RHD1 ver without ramp	PG140637
15B	Landing Gate RHD1 ver with ramp	PG147073
16	Landing Gate RHD2	PG147116
17	Mast section lifting arm	PG121983
17.1	Mast section lifting arm compl.	PG121999
18	Tools	
19	Cable trolley with separate rail	
19.1	Cable trolley TWIN SC1432	
19.2	Cable trolley	PG129634
19.3	Cable guide for cable trolley	PG129644
19.4	Cable holder on the mast - left	PG129729
19.5	Cable holder on the mast - right	PG129724
19.6	Cable holder adapter - left cage	PG129720
19.7	Cable holder adapter - right cage	PG130761
19.8	Rail bracket	PG129652



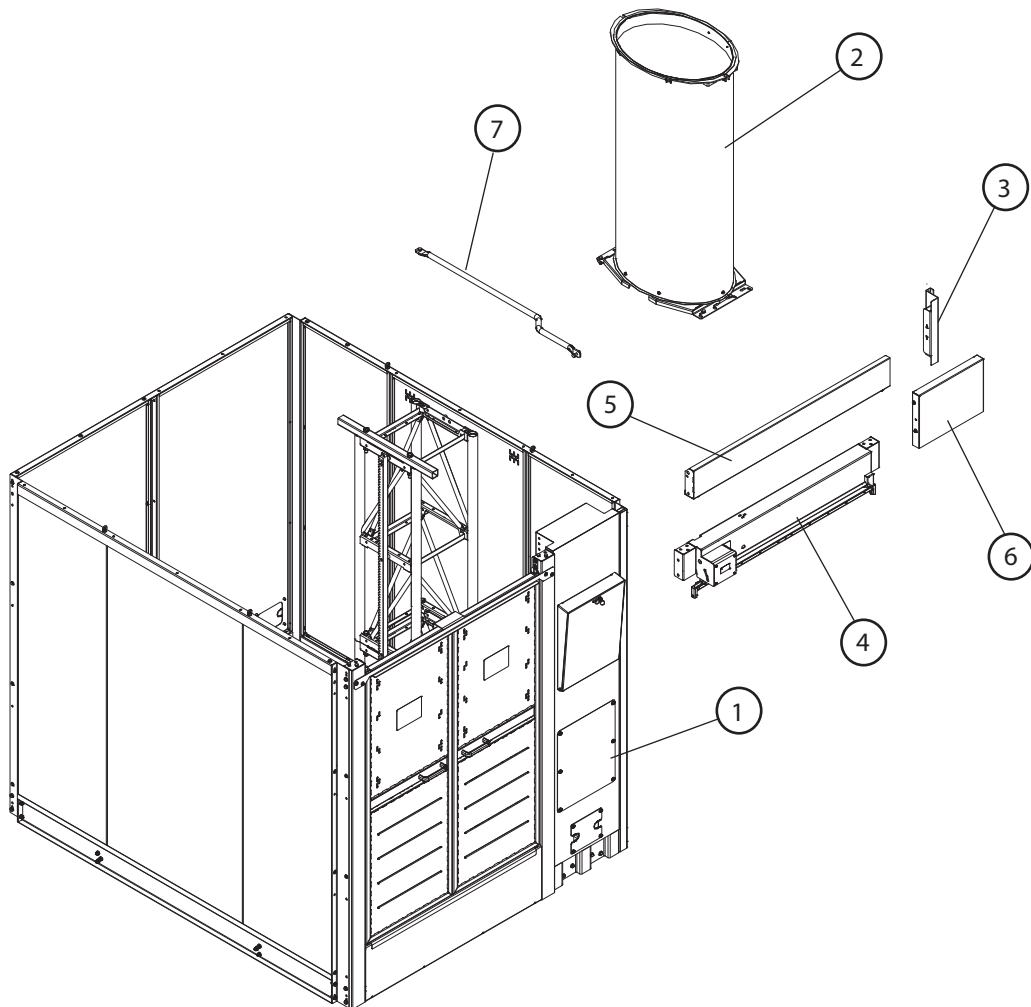
NO	QTY	DESCRIPTION	PART NO.
1	1	Basic ground station L/H ver. A	PG165524
2	1	Cable drum compl.	PG119644
3	1	C-profile	PG119794
4	1	Lock ZB-06	PG127617
5	1	Middle cover compl.	PG165982
6	1	Cover compl.	PG165986
7	1	Joint pipe complete	PG115643



NO	QTY	DESCRIPTION	PART NO.
1	4	Beam SCXX32	PG115074
2	2	Stiffen beam	PG115612
3	1	Front wall	PG115655
4	1	Back wall	PG115037
5	1	Mast base complete	PG165443
6	1	Front panel complete	PG165451
7	1	Side wall II complete	PG165926
8	1	Side wall I complete	PG165947
9	2	Screw M8x20 8.8 A7L	10007783
10	4	Screw M12x30 8.8 PN-EN ISO 4017	10008776
11	20	Screw M12x40 8.8	10007566
12	8	Screw M12x45 8.8 PN-EN ISO 4014	10005746
13	4	Washer ISO 7093-1-8-200 HV	10006181
14	65	Washer 13 HV	10006199
15	2	Self locking nut M8-A4-70	10006283
16	32	Self locking nut M12-8-A3J	10006291

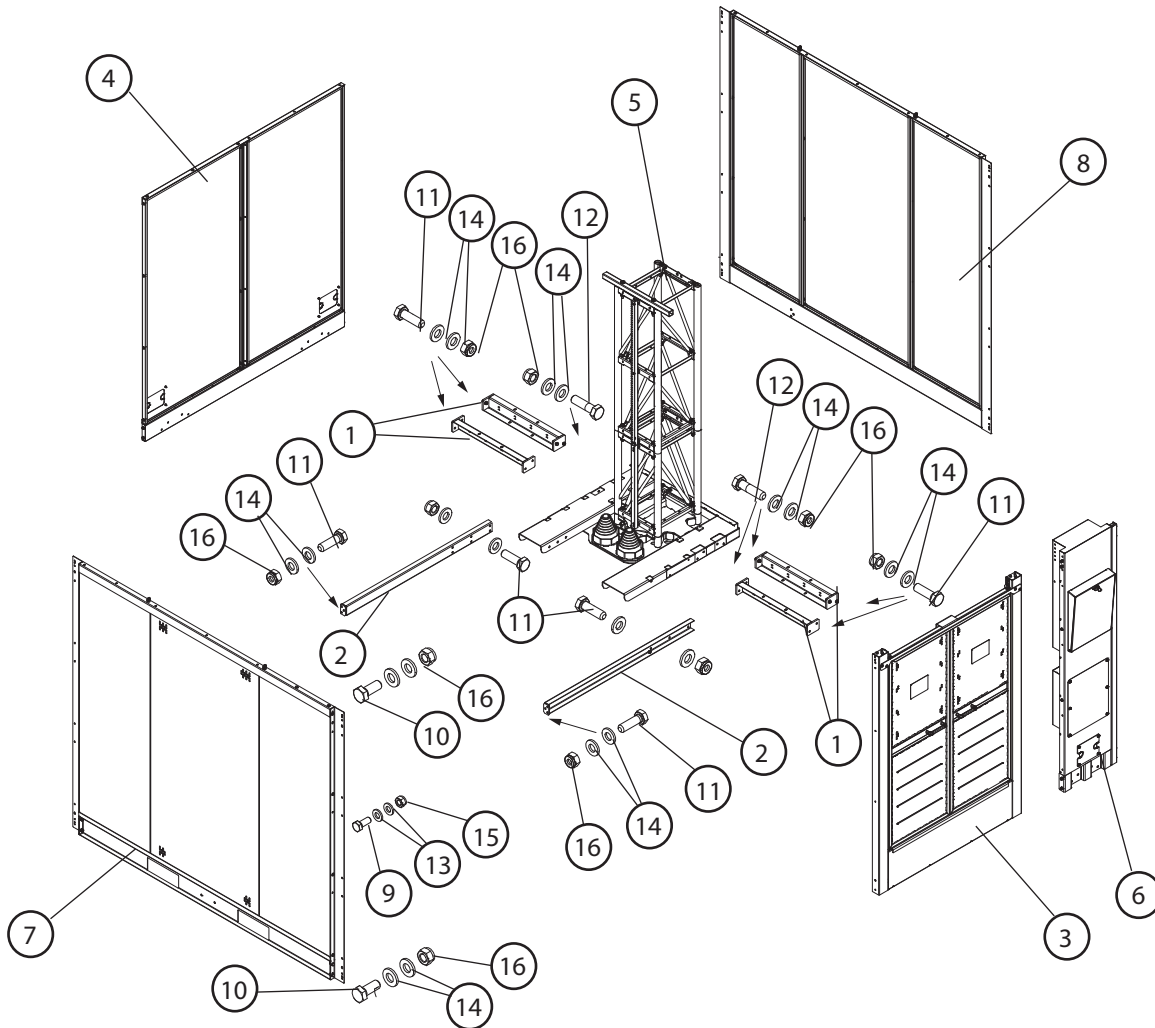
1B

GROUND STATION H48 SCXX24-48 L/H ver. A PG117861



NO	QTY	DESCRIPTION	PART NO.
1	1	Basic ground station A	PG166000
2	1	Cable drum compl.	PG119644
3	1	C-profile	PG119794
4	1	Lock ZB-06	PG127617
5	1	Middle cover compl.	PG165982
6	1	Cover compl.	PG165986
7	1	Joint pipe complete	PG117913

1B.1 BASIC GROUND STATION H48 SCXX24-48 L/H ver. A PG166000

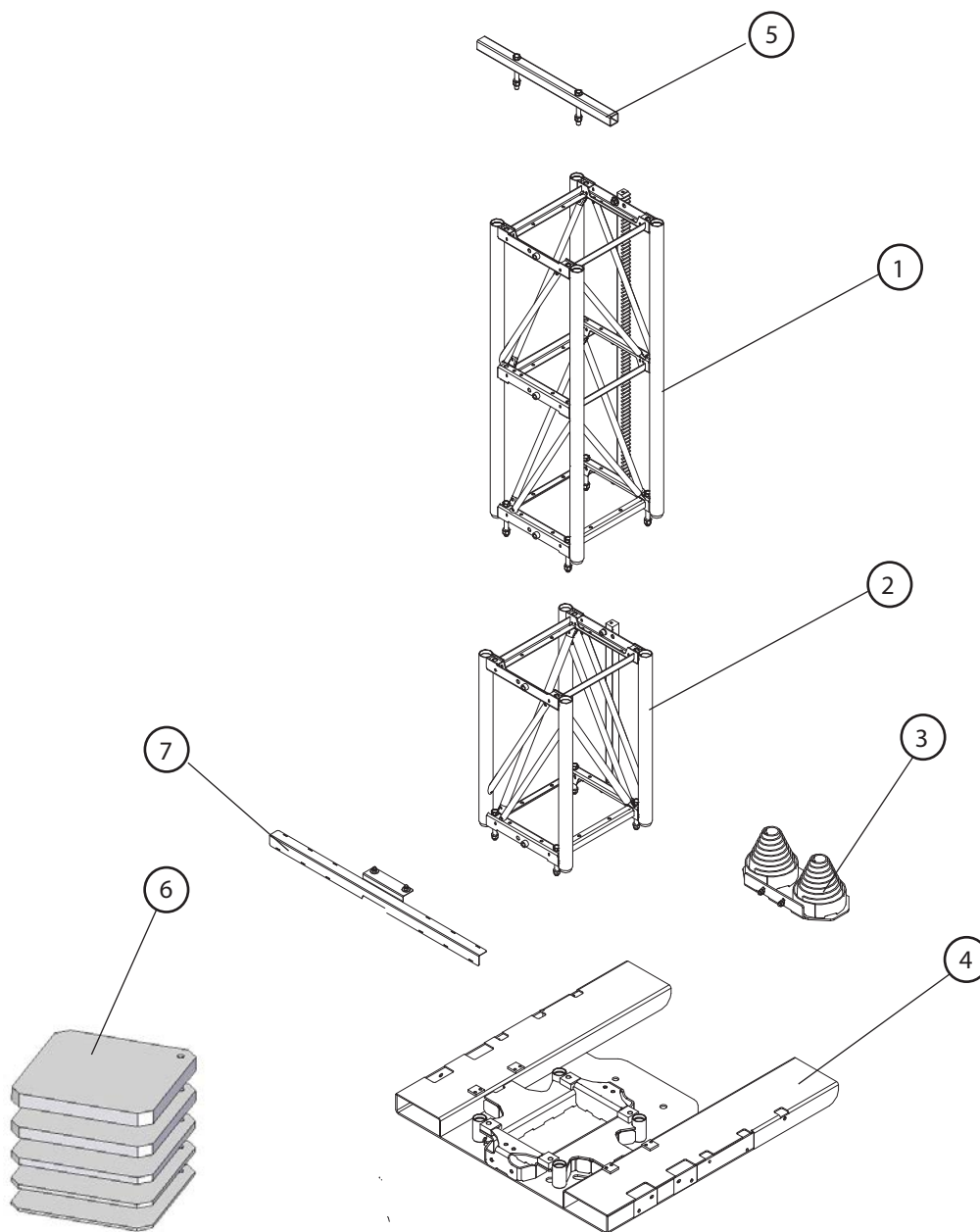


NO	QTY	DESCRIPTION	PART NO.
1	4	Beam SCXX24	PG117864
2	2	Stiffen beam	PG115612
3	1	Front wall	PG115655
4	1	Back wall	PG115037
5	1	Mast base complete	PG165443
6	1	Front panel complete	PG165451
7	1	Side wall II 2,4 m complete	PG165998
8	1	Side wall I 2,4 m complete	PG165996
9	2	Screw M8x20 8.8 A7L	10007783
10	4	Screw M12x30 8.8 PN-EN ISO 4017	10008776
11	20	Screw M12x40 8.8	10007566
12	8	Screw M12x45 8.8 PN-EN ISO 4014	10005746
13	4	Washer ISO 7093-1-8-200 HV	10006181
14	65	Washer 13 HV	10006199
15	2	Self locking nut M8-A4-70	10006283
16	32	Self locking nut M12-8-A3J	10006291

1.1

MAST BASE COMPLETE

PG165443

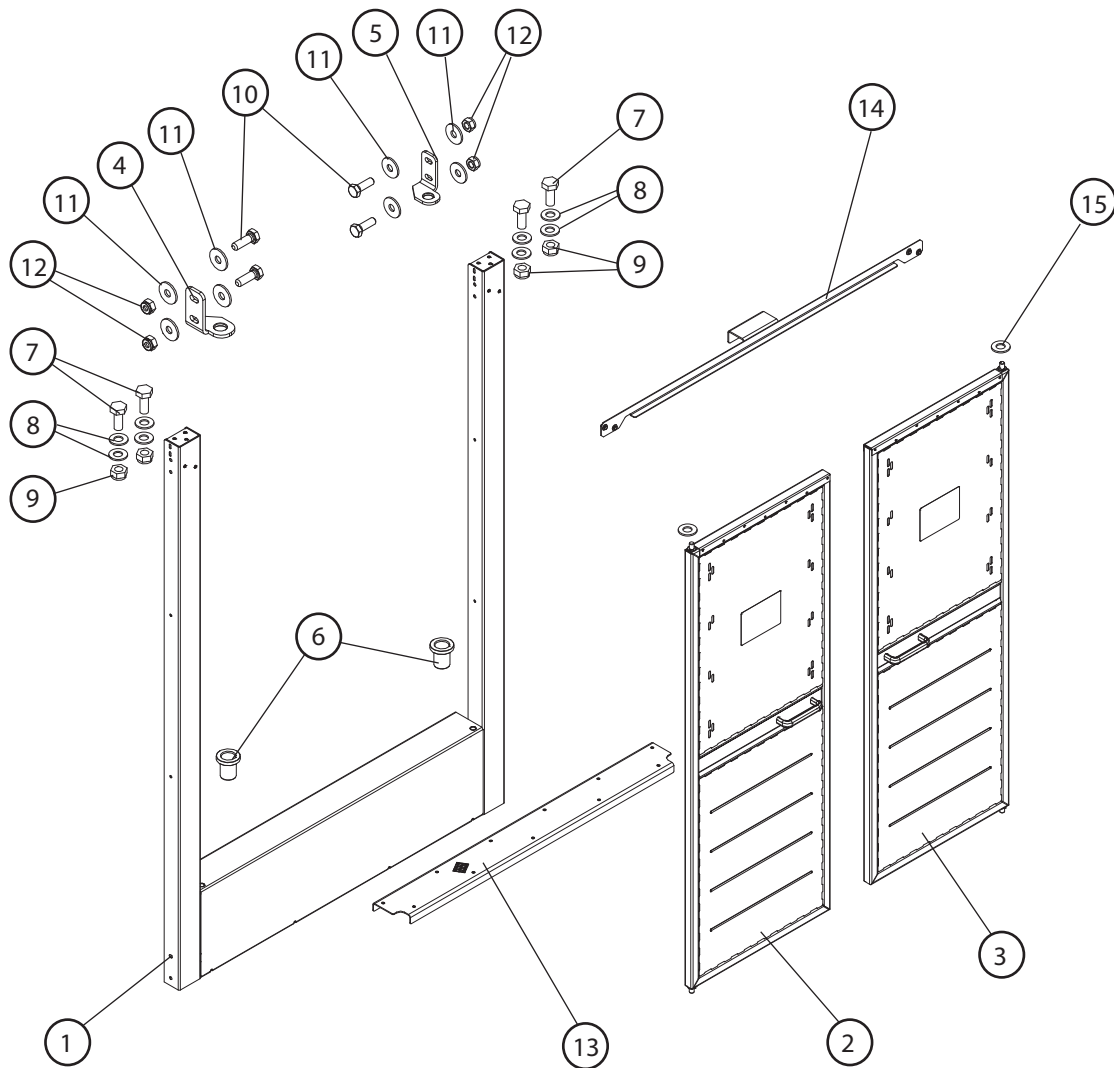


NO	QTY	DESCRIPTION	PART NO.
1	1	Mast section complete	PG114065
2	1	Short mast section complete	PG115651
3	1	Buffer assembly	PG116719
4	1	Mast base	PG119082
5	1	Transport beam	PG118160
6	1	Adjustment plates set	PG124255
7	1	Cable cover	PG128846

1.2

FRONT WALL

PG115655

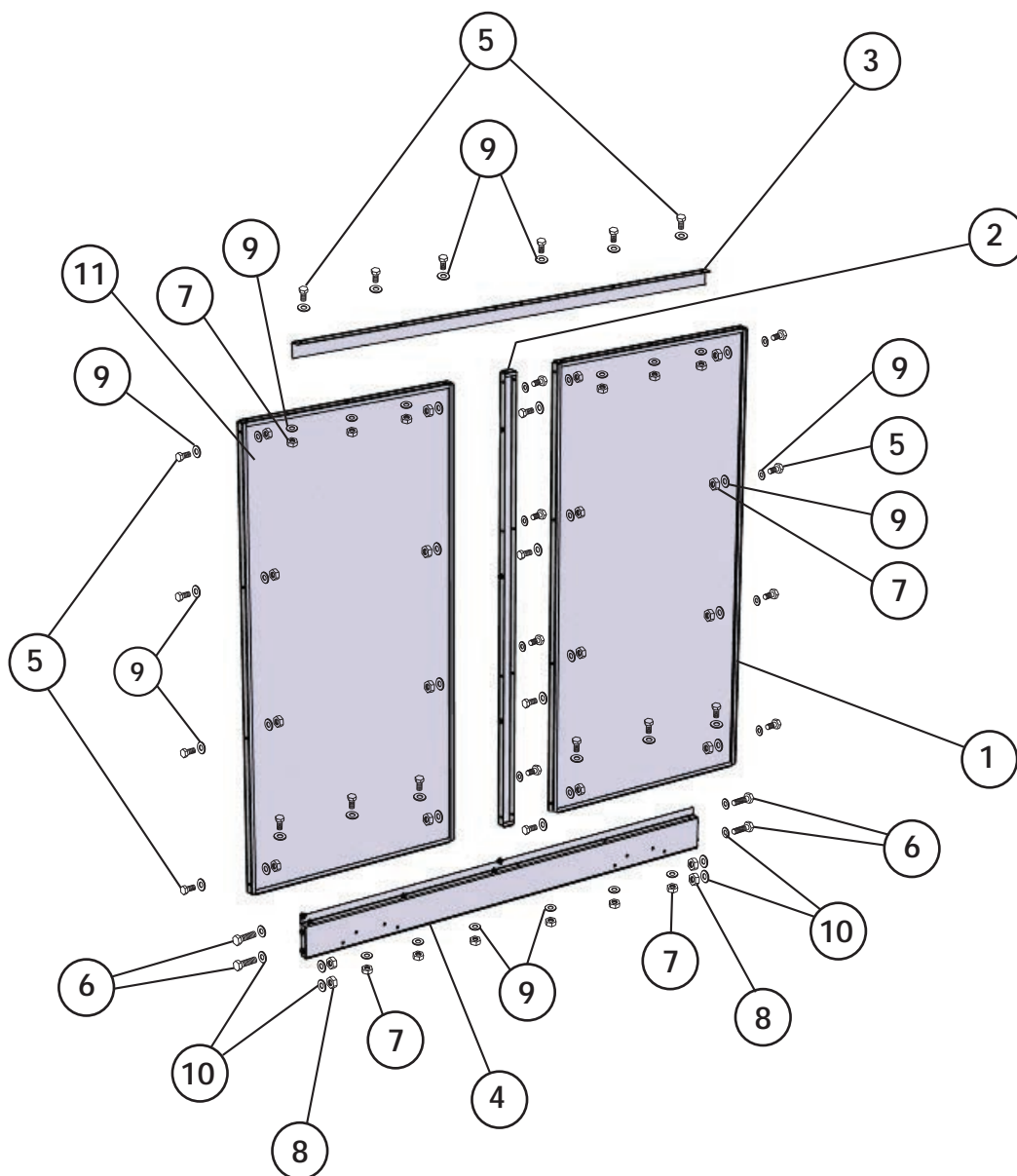


NO	QTY	DESCRIPTION	PART NO.
1	1	Door frame	PG115667
2	1	Left door complete	PG127072
3	1	Right door complete	PG127037
4	1	Angle bar I to fasten door	PG115746
5	1	Angle bar II to fasten door	PG115745
6	2	Sleeve	PG117052
7	4	Screw M10x25 8.8 PN-EN ISO 4017 A4J	10005653
8	8	Washer ISO 7089-10-200 HV	10006186
9	4	Self locking nut M10-8 A2J	10006286
10	4	Screw M8x25 A4-70 PN-EN ISO 4017	10005558
11	8	Washer ISO 7093-1-8-200 HV	10006181
12	4	Self locking nut M8-A4-70	10006283
13	1	Doorstep cover	PG143133
14	1	Transport door beam	PG117639
15	4	Washer ISO 7089-18-200 HV	10006210

1.3

BACK WALL

PG115037



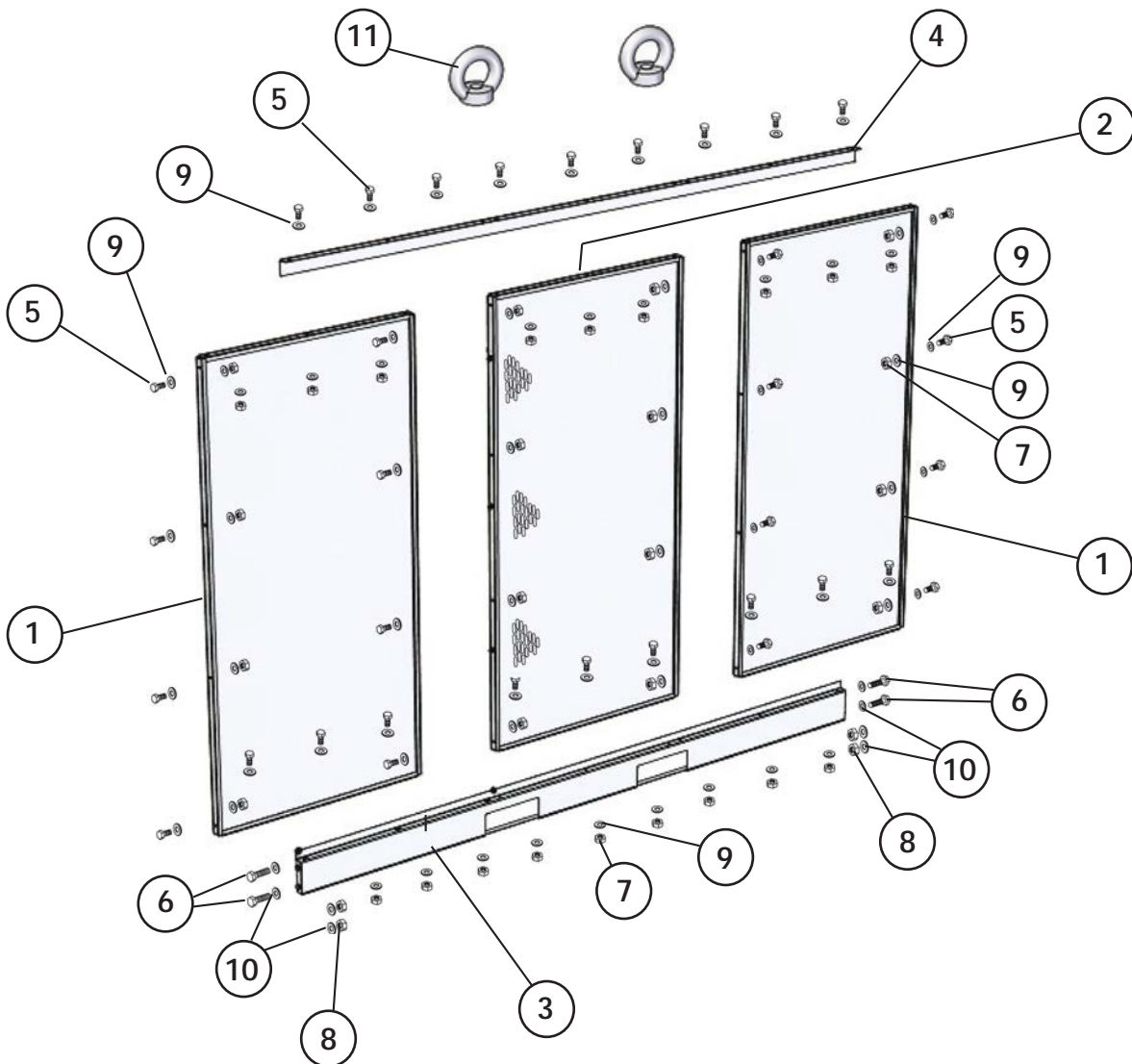
NO	QTY	DESCRIPTION	PART NO.
1	1	Door panel	PG127973
2	1	C - profile	PG115025
3	1	Grapping angle bar II	PG115027
4	1	Bottom beam III	PG115034
5	28	Screw M8x20 8.8	10007354
6	4	Screw M12x30 8.8	10007361
7	28	Nut M8 8B A4J	10006281
8	4	Nut M12 8B A4J	10006291
9	56	Washer 8-200 HV A4J	10006180
10	8	Washer 13 HV	10006199
11	1	Door panel	PG127975

1.4

SIDE WALL I

SCXX32
SCXX24

PG115046
PG117906



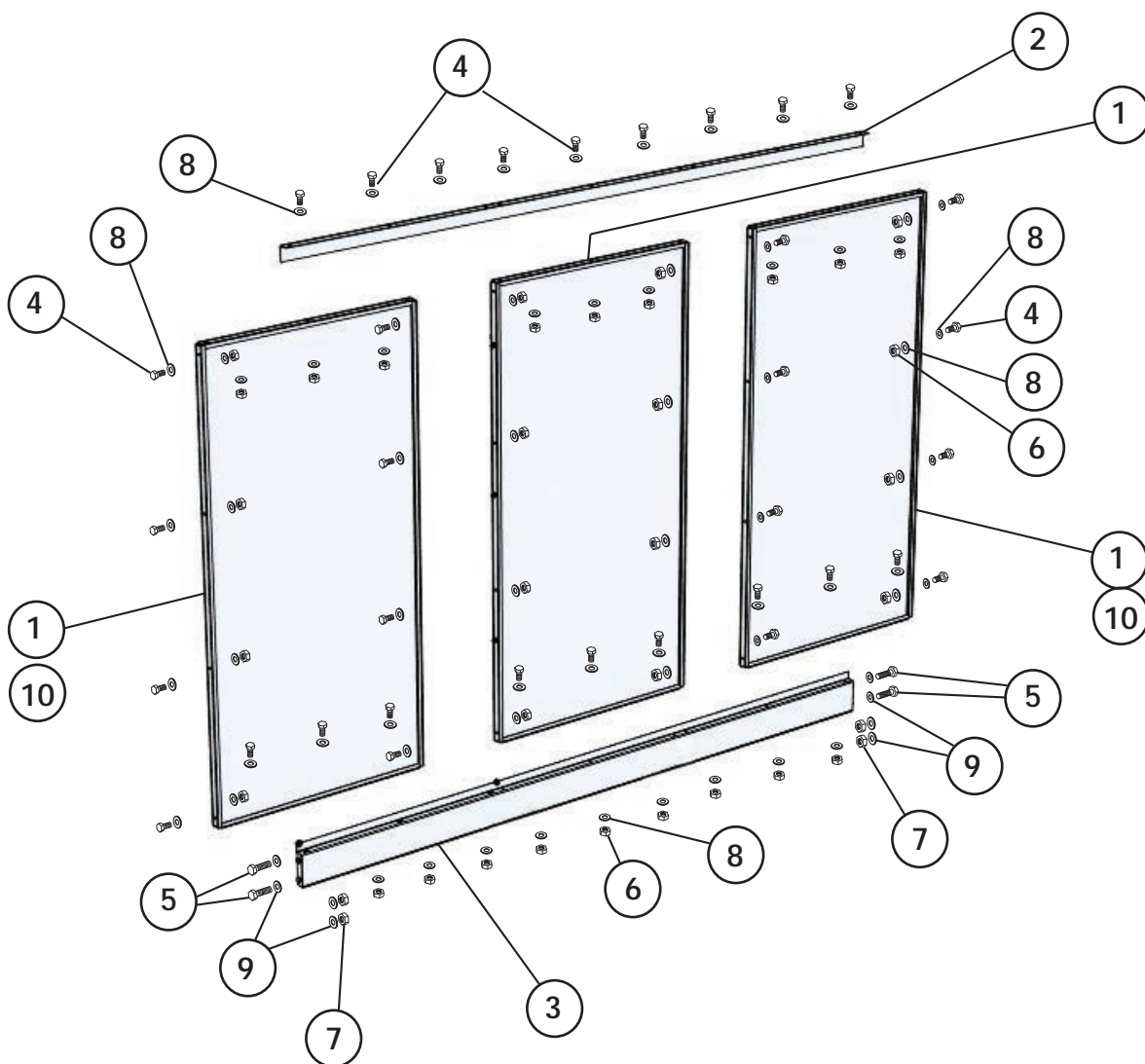
NO	QTY	DESCRIPTION	PART NO.
1	2	Side panel SCXX32	PG114956
	2	Side panel SCXX24	PG117892
2	1	Side panel II	PG117079
3	1	Beam of base I SCXX32	PG115040
	1	Beam of base I SCXX24	PG117904
4	1	Grapping angle bar II SCXX32	PG115042
	1	Grapping angle bar II SCXX24	PG117905
5	34	Screw M8x20 8.8	10007354
6	4	Screw M12x30 8.8	10007361
7	32	Nut M8 8B A4J	10006281
8	4	Nut M12 8B A4J	10006291
9	68	Washer 8-200 HV A4J	10006180
10	8	Washer 13 HV	10006199
11	2	Ear nut M8 A4-70	10008852

1.5

SIDE WALL II

SCXX32
SCXX24

PG115598
PG117911

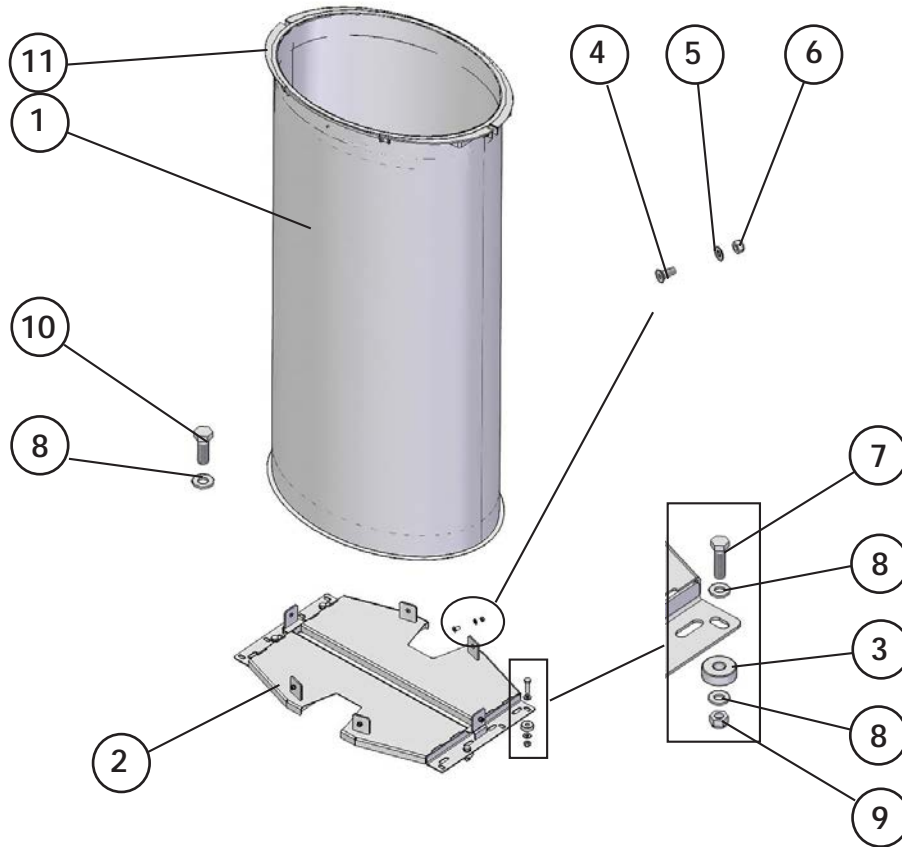


NO	QTY	DESCRIPTION	PART NO.
1	3	Side panel II SCXX32	PG114956
	1	Side panel II SCXX24	PG114956
2	1	Grapping angle bar II SCXX32	PG115042
	1	Grapping angle bar II SCXX24	PG117905
3	1	Beam of base II SCXX32	PG115597
	1	Beam of base II SCXX24	PG117910
4	34	Screw M8x20 8.8	10007354
5	4	Screw M12x30 8.8	10007361
6	34	Nut M8 8B A4J	10006281
7	4	Nut M12 8B A4J	10006291
8	68	Washer 8-200 HV A4J	10006180
9	8	Washer 13 HV	10006199
10	2	Side panel SCXX24	PG117892

1.6

CABLE DRUM COMPLETE

PG119644

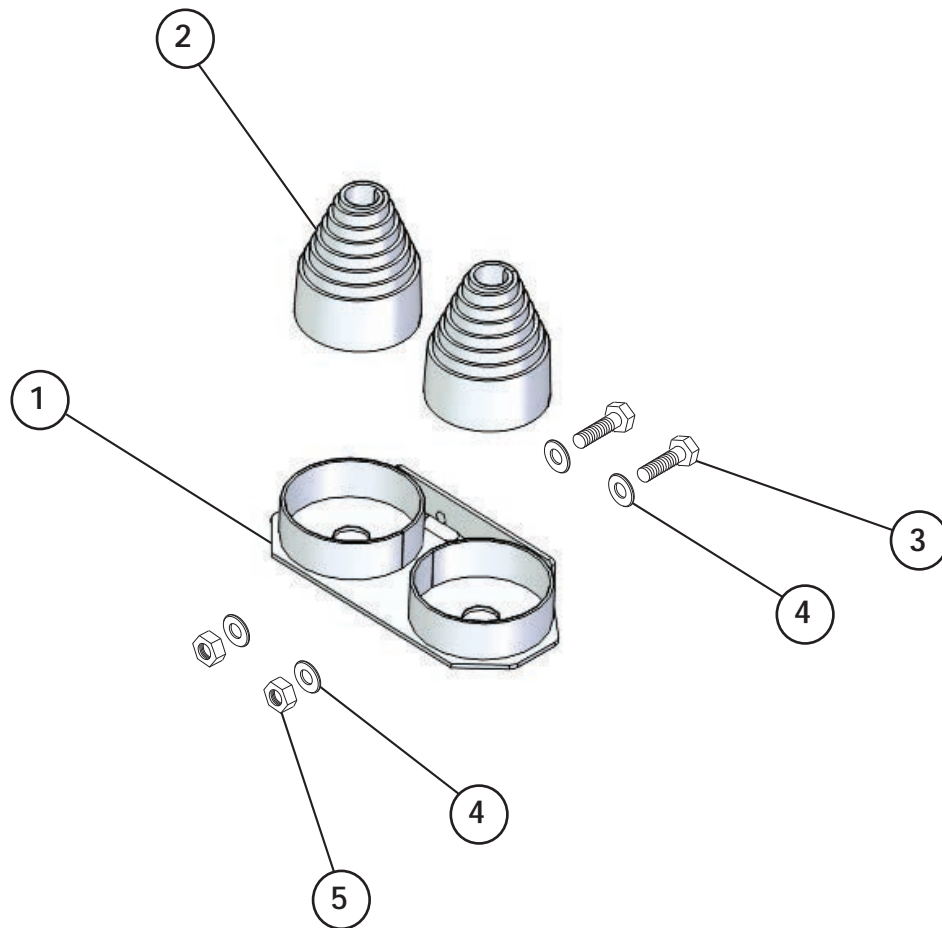


NO	QTY	DESCRIPTION	PART NO.
1	1	Cable drum	PG119173
2	1	Cable drum base	PG119636
3	2	Sleeve	PG117047
4	6	Screw M8x20 8.8 A4J	10005555
5	6	Washer 8,4 Fe/Zn12bcA	10006178
6	6	Nut M8 8B A4J	10006281
7	2	Screw M12x45 8.8	10007465
8	6	Washer 13 HV	10006199
9	4	Nut M12 8B A4J	10006291
10	2	Screw M12x30 8.8	10007361
11	1	Clamping ring	PG129532

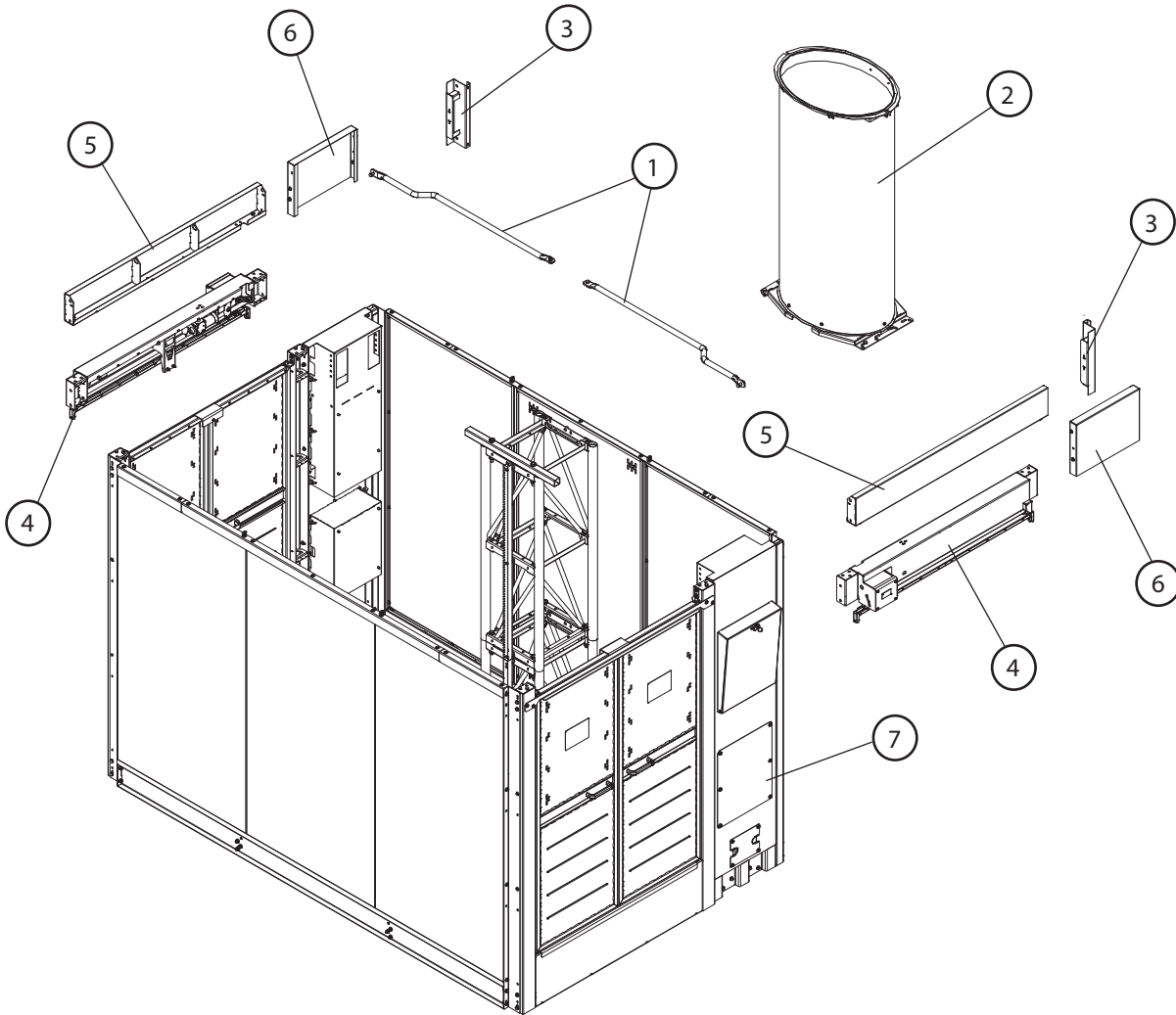
1.7

BUFFER ASSEMBLY

PG116719

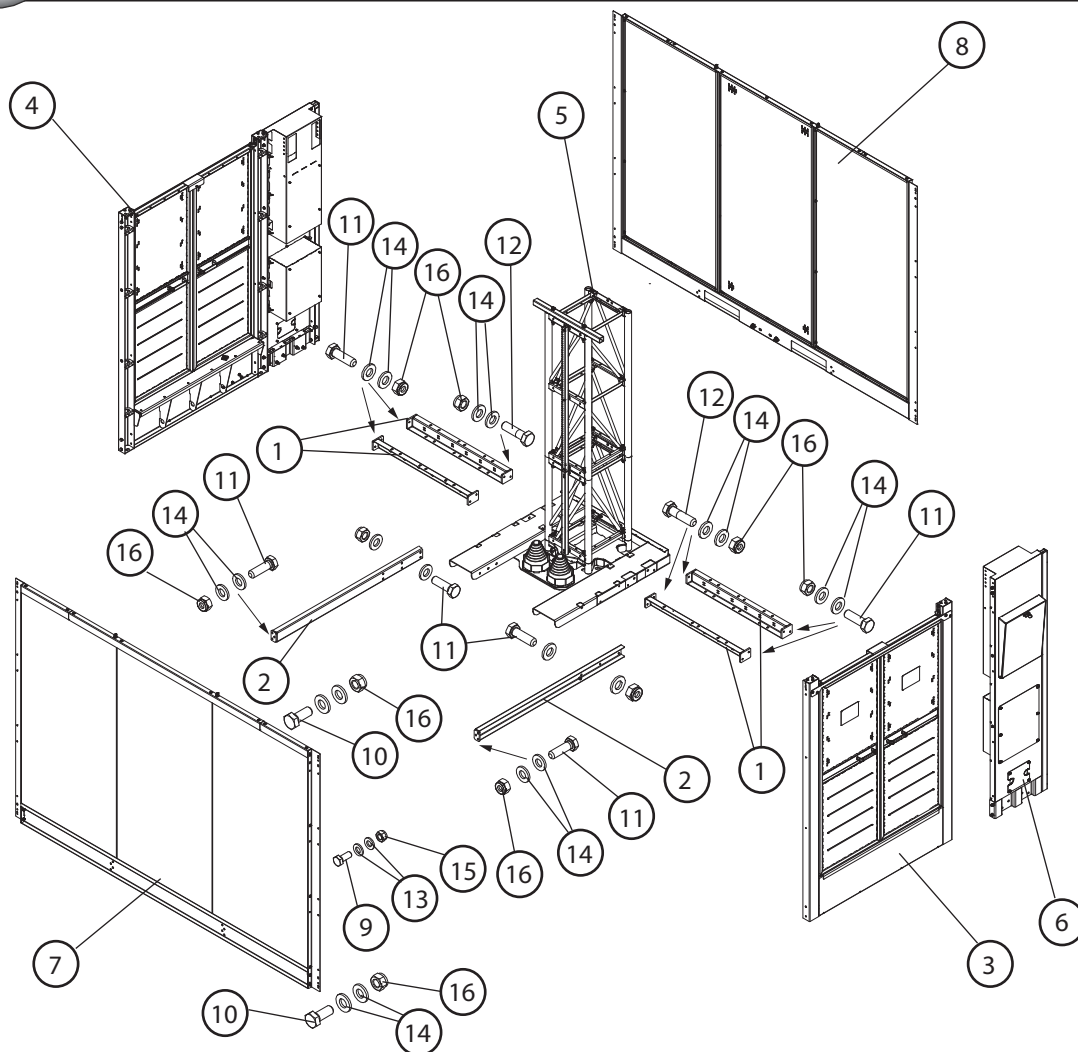


NO	QTY	DESCRIPTION	PART NO.
1	1	Buffer base	PG116626
2	2	Buffer spring	PG103033
3	2	Screw M12x35 8.8	10007465
4	4	Washer 13 HV	10006199
5	2	Nut M12 8B A4J	10006291

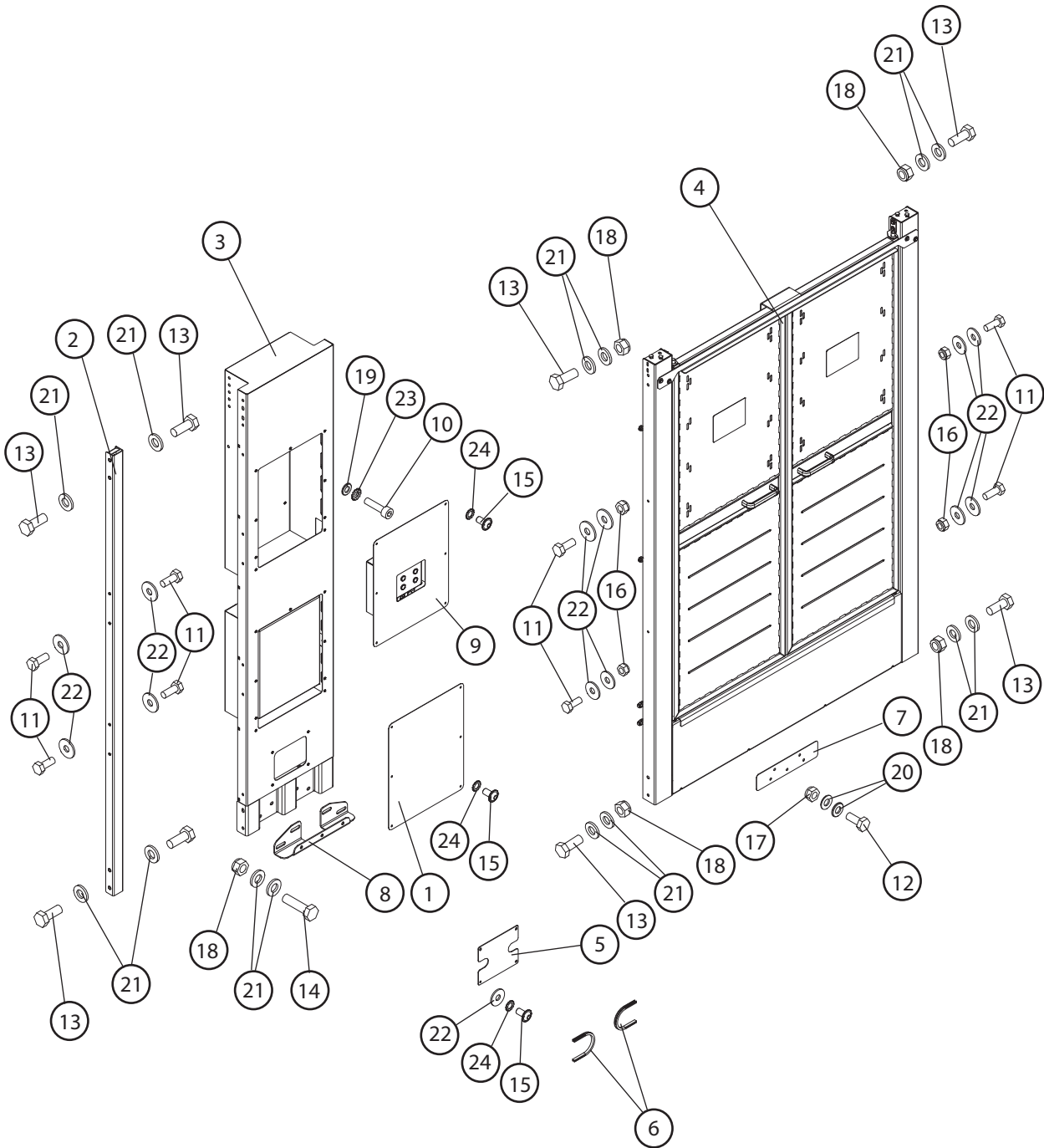


NO	QTY	DESCRIPTION	PART NO.
1	2	Joint pipe complete	PG115643
2	1	Cable drum compl.	PG119644
3	2	C-profile	PG119794
4	2	Lock ZB-06	PG127617
5	2	Middle cover compl.	PG165982
6	2	Cover compl.	PG165986
7	1	Basic ground station A+B	PG167488

1C.1 BASIC GROUND H48 STATION A+B PG167488



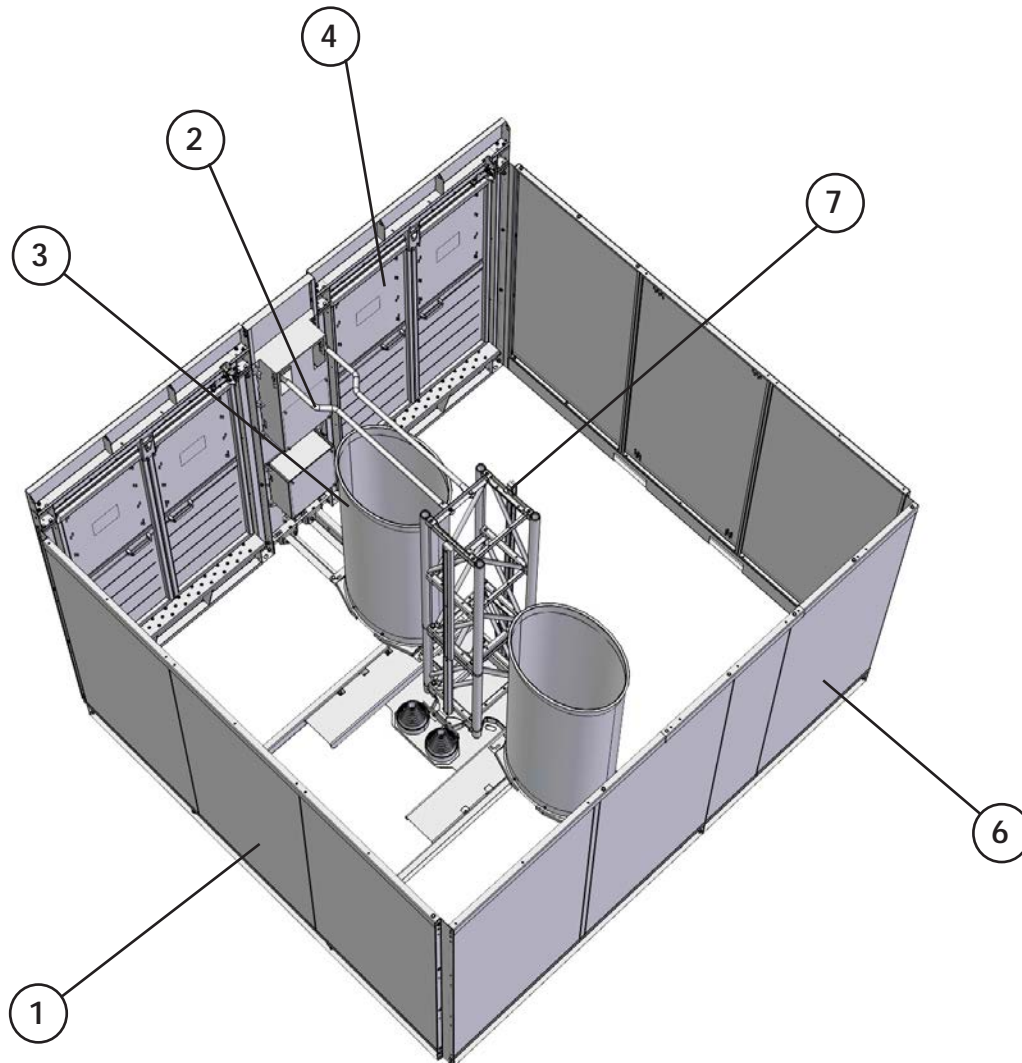
NO	QTY	DESCRIPTION	PART NO.
1	4	Beam SCXX32	PG115074
2	2	Stiffen beam	PG115612
3	1	Front wall	PG115655
4	1	Back wall with door	PG146532
5	1	Mast base complete	PG165443
6	1	Front panel complete	PG165451
7	1	Side wall II complete	PG165926
8	1	Side wall I complete	PG165947
9	2	Screw M8x20 8.8 A7L	10007783
10	4	Screw M12x30 8.8 PN-EN ISO 4017	10008776
11	20	Screw M12x40 8.8	10007566
12	8	Screw M12x45 8.8 PN-EN ISO 4014	10005746
13	4	Washer ISO 7093-1-8-200 HV	10006181
14	65	Washer 13 HV	10006199
15	2	Self locking nut M8-A4-70	10006283
16	32	Self locking nut M12-8-A3J	10006291



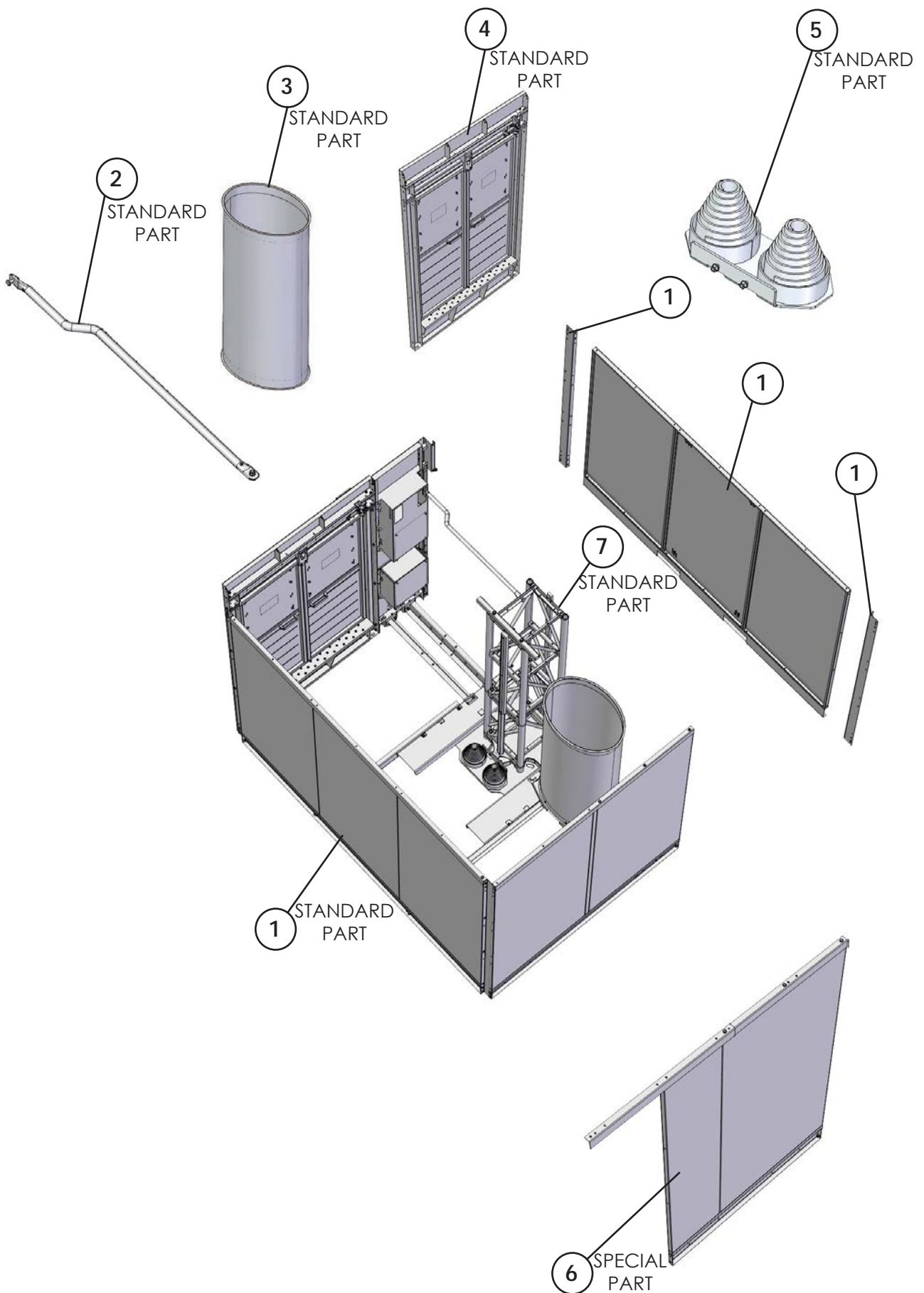
NO	QTY	DESCRIPTION	PART NO.
1	1	Cover	PG115069
2	1	Distance beam	PG115211
3	1	Front panel	PG115583
4	1	Front wall	PG115655
5	1	Cover	PG116943
6	2	Cover	PG116945
7	1	Distance plate	PG146477
8	1	Special console	PG146499
9	1	OP4 cover compl.	PG146520
10	4	Screw M5x20 PN-EN ISO 4762 A4-70	10008795
11	12	Screw M8x20 8.8	10007783
12	5	Screw M10x25 PN-EN ISO 4017 A4-70	10005653
13	15	Screw M12x30 8.8	10007361
14	4	Screw M12x45 8.8 PN-EN ISO 4014 A4J	10005748
15	16	Tap screw M8x16	10006096
16	4	Self locking nut M8-8 A2J	10006281
17	9	Self locking nut M10-8 A3J	10006284
18	11	Self locking nut M12-8 A3J	10006291
19	4	Washer ISO 7089-5-200 HV A4J	10006173
20	10	Washer ISO 7089-10-200 HV A4J	10006186
21	32	Washer 13 HV A4J	10006199
22	20	Washer ISO 7093-1-8-200 HV A4J	10006180
23	4	Spring washer 5,3	10009684
24	16	Spring washer 8,4	10006238

1D

GROUND STATION H48 ver. TWIN PG116960



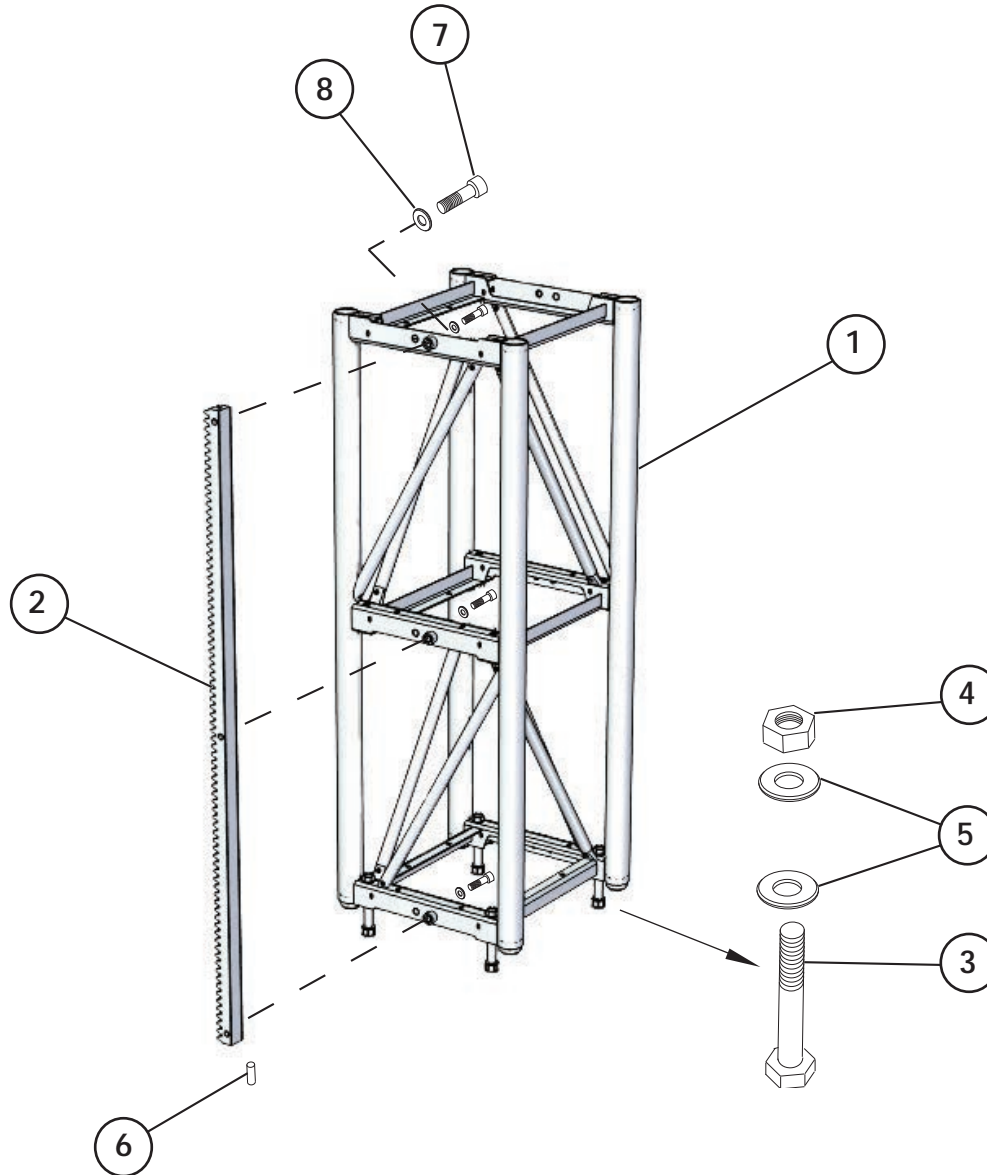
NO	QTY	DESCRIPTION	PART NO.
1	1	Lower station	PG119766
2	2	Joint pipe complete	PG115643
3	2	Cable drum complete	PG119644
4	2	Front wall	PG115655
5	2	Buffer assembly	PG116719
6	1	Wall	PG116967
7	1	Mast section TWIN	PG116475



2.1

MAST SECTION H48 COMPLETE

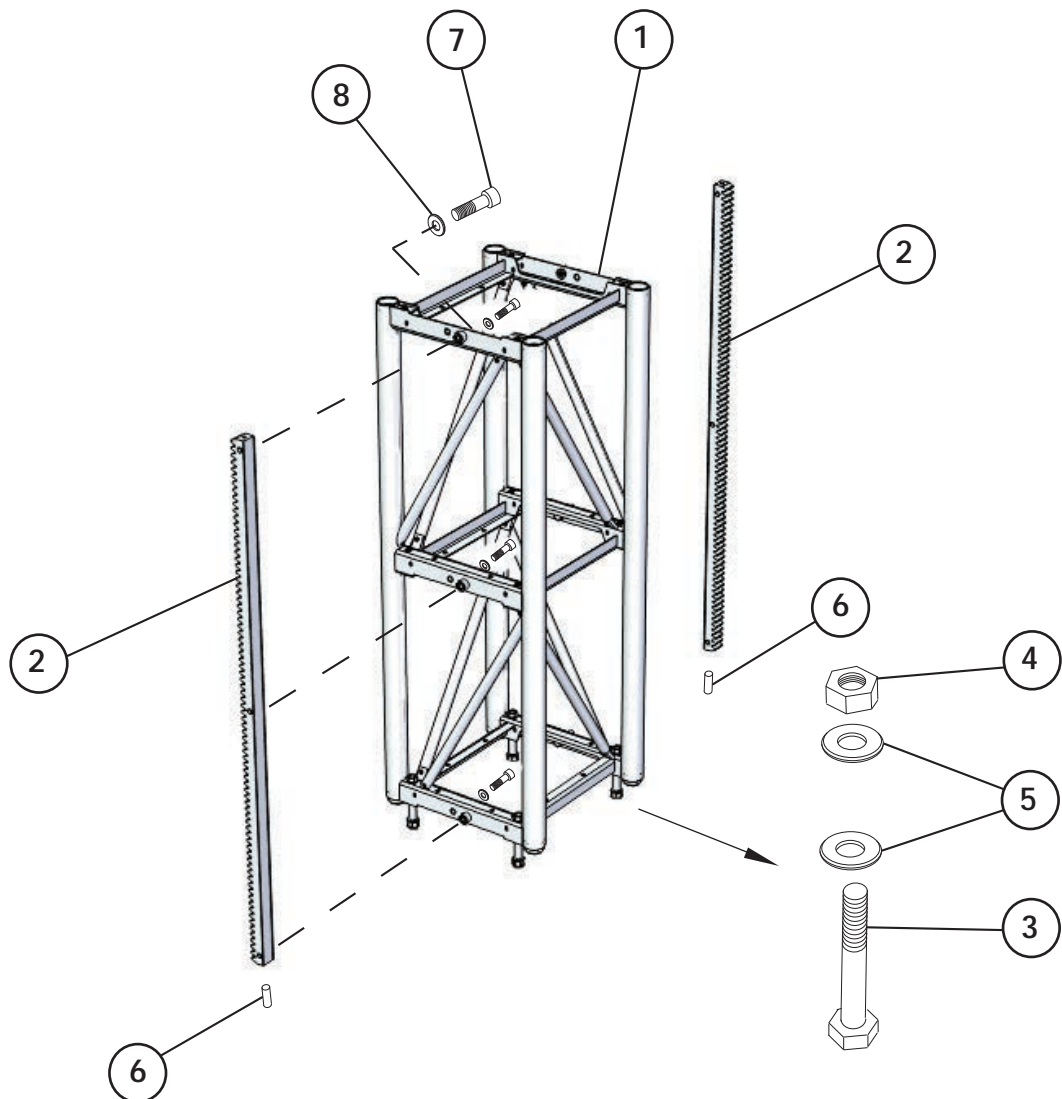
PG114065



NO	QTY	DESCRIPTION	PART NO.
1	1	Mast section	PG114064
2	1	Rack	PG113902
3	4	Screw M18x160 8.8	10007177
4	4	Nut M18 8 A4J	10007178
5	8	Washer 18-300 HV A7J	10007689
6	1	Pin 10x28	10007179
7	3	Screw M16x60 8.8 A7J	10007688
8	3	Washer 17 HV	10006203

2.2

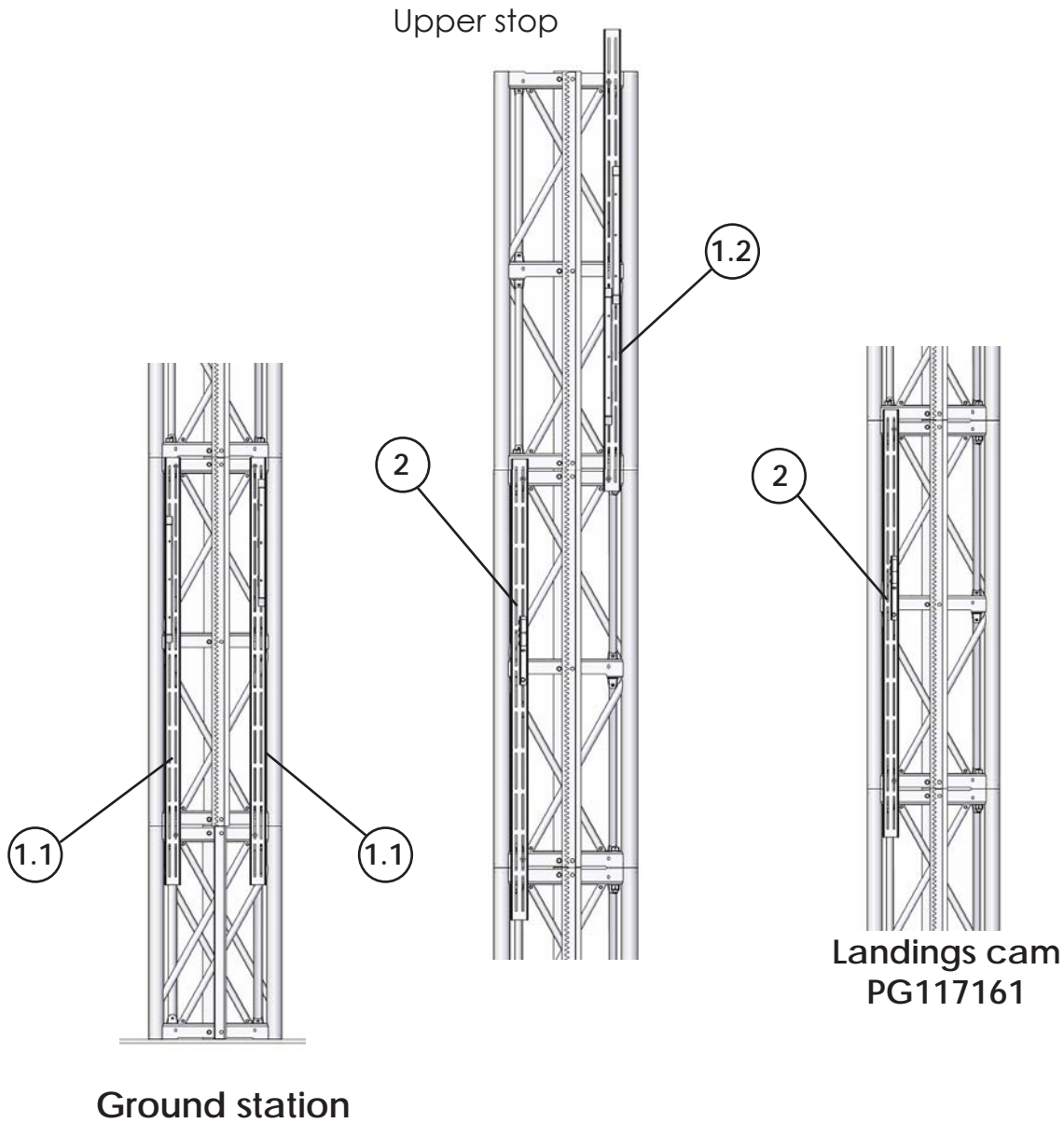
MAST SECTION H48 ver. TWIN PG116475



NO	QTY	DESCRIPTION	PART NO.
1	1	Mast section TWIN	PG116474
2	2	Rack	PG113902
3	4	Screw M18x160 8.8	10007177
4	4	Nut M18 8 A4J	10007178
5	8	Washer 18-300 HV A7J	10007689
6	2	Pin 10x28	10007179
7	6	Screw M16x60 8.8 A7J	10007688
8	6	Washer 17 HV	10006203

3

CAMS

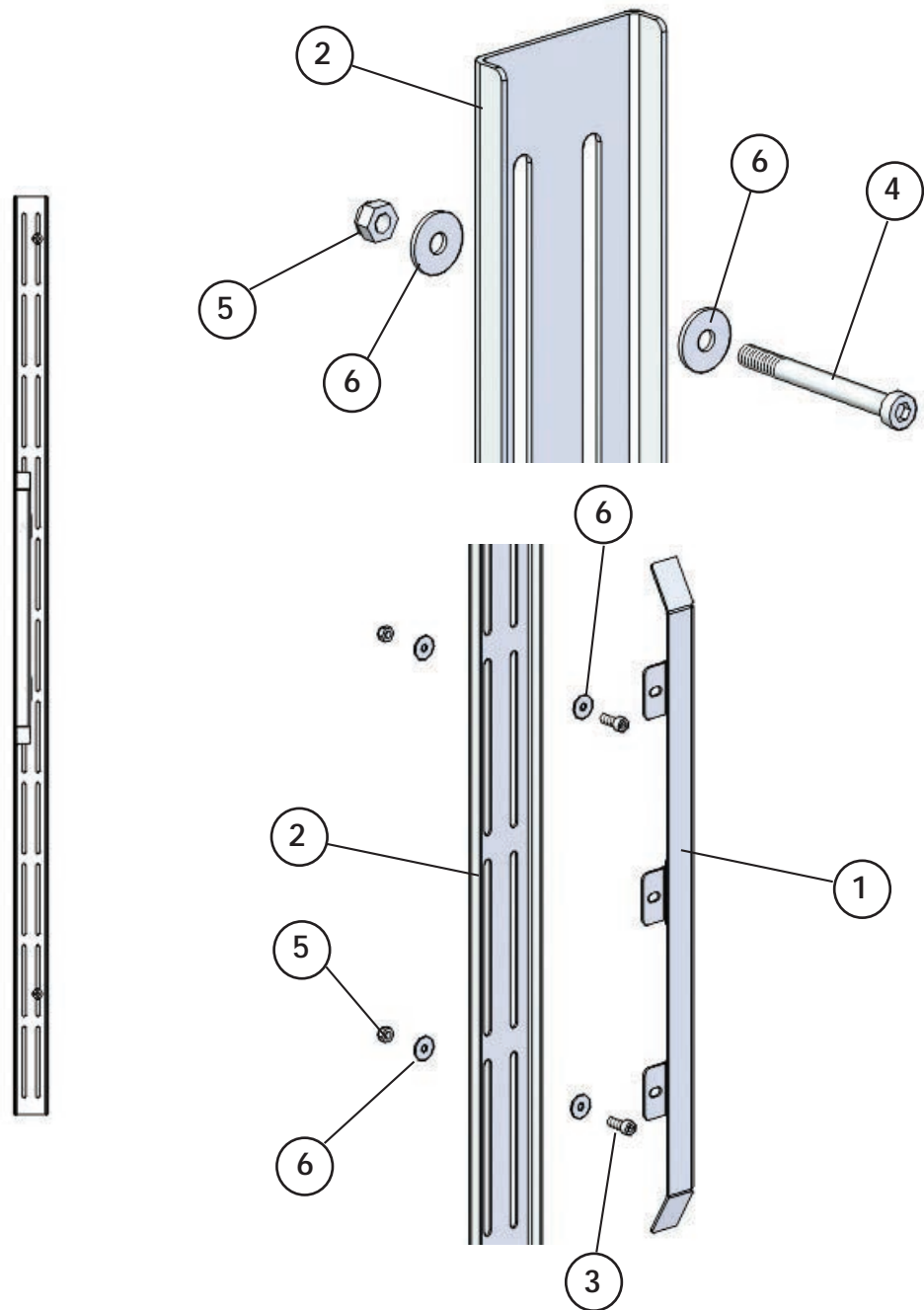


NO	QTY	DESCRIPTION	PART NO.
1		Cams - set	PG117160
1.1	1	Cam	PG116464
1.2	1	Double cam	PG116461
2	1	Stop landing cam	PG117161

3.1

CAM

PG116464

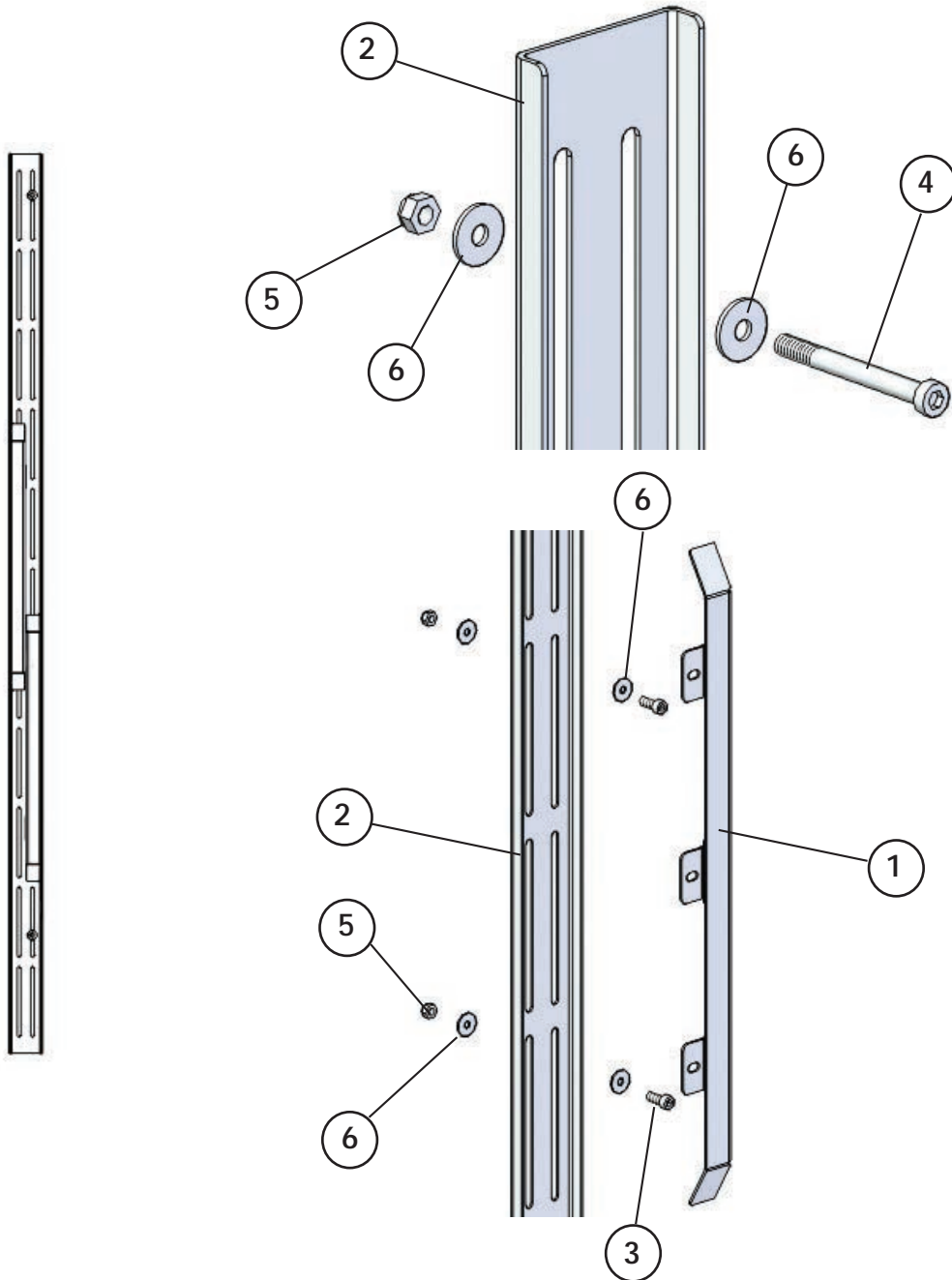


NO	QTY	DESCRIPTION	PART NO.
1	1	Cam	PG116451
2	1	C- profil	PG116457
3	2	Screw M6x16 A4-70	10005503
4	2	Screw M6x60 8.8 A4J	10005530
5	4	Nut M6 8 A4-70	10006278
6	8	Washer 6-200 HV A4J	10006177

3.2

DOUBLE CAM

PG116461

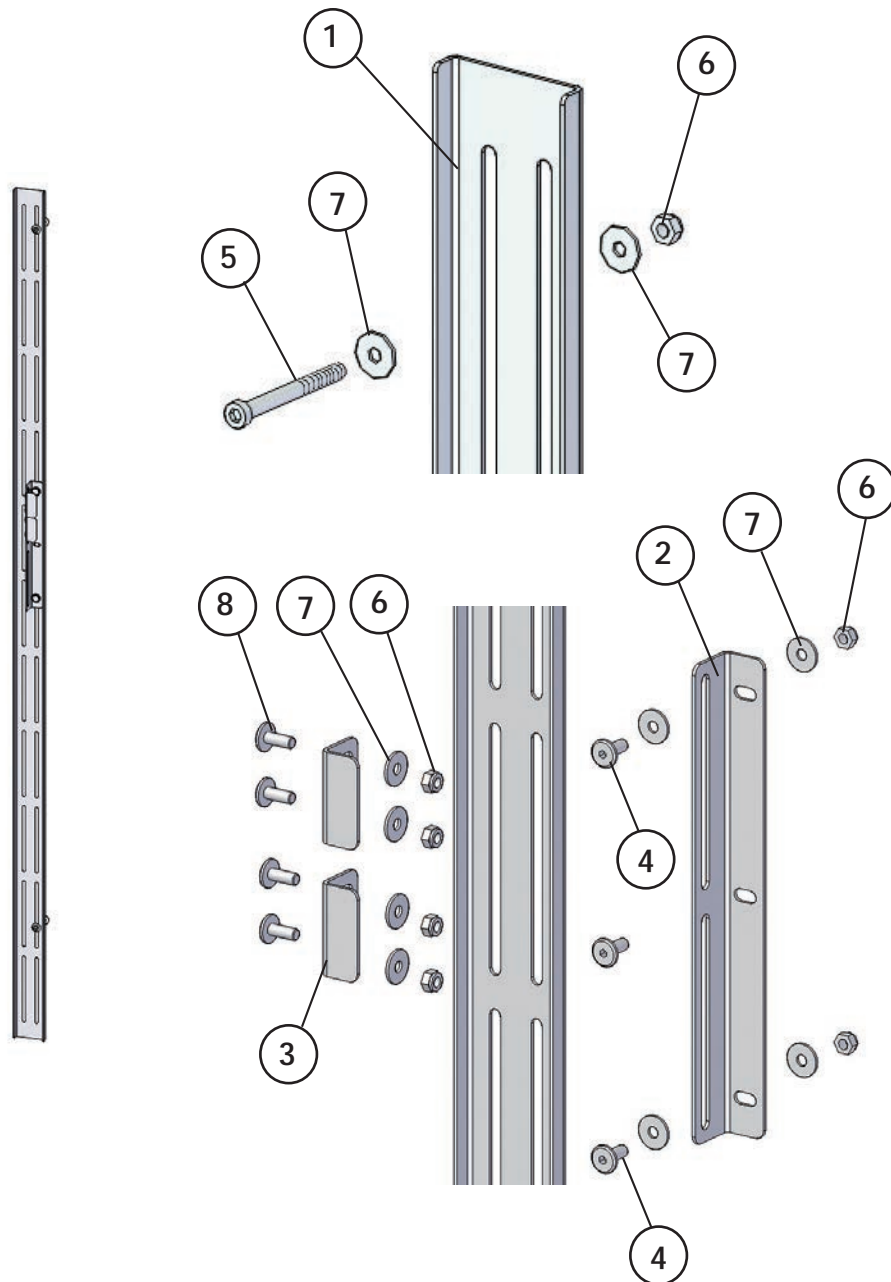


NO	QTY	DESCRIPTION	PART NO.
1	2	Cam	PG116451
2	1	C- profil	PG116457
3	4	Screw M6x16 A4-70	10005503
4	2	Screw M6x60 8.8 A4J	10005530
5	6	Nut M6 8 A4-70	10006278
6	12	Washer 6-200 HV A4J	10006177

3.3

STOP LANDING CAM

PG117161



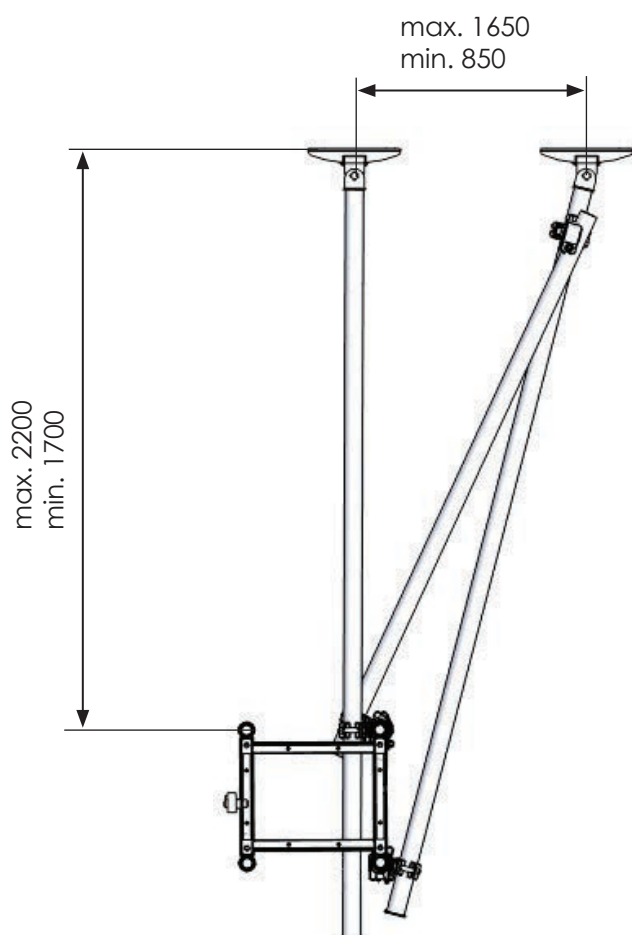
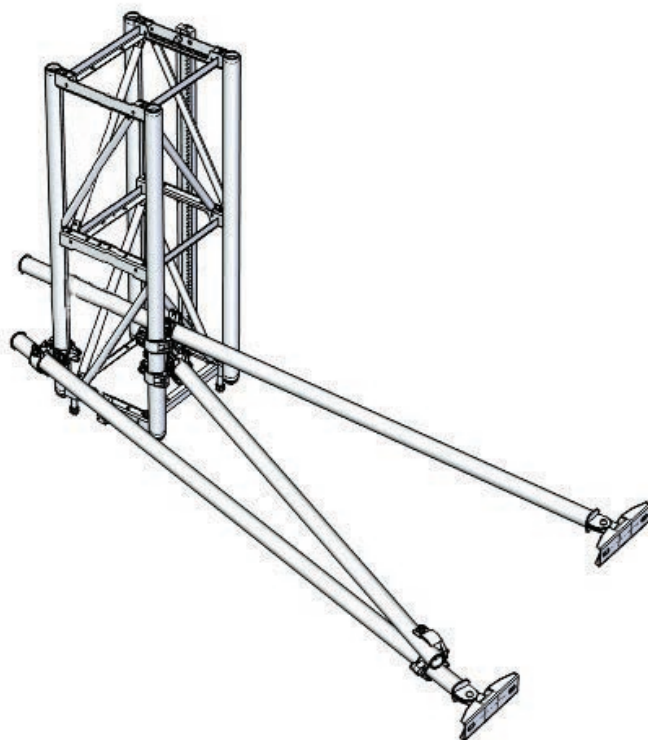
NO	QTY	DESCRIPTION	PART NO.
1	1	C- profil	PG116457
2	1	Angle	PG118940
3	2	Cam	PG118942
4	3	Screw M6x16 A4-70	10005503
5	2	Screw M6x60 8.8 A4J	10005530
6	9	Nut M6 8 A4-70	10006278
7	14	Washer 6-200 HV A4J	10006177
8	4	Screw M6x16 KF A4J	10005504

4.1

ANCHORING

PG115021

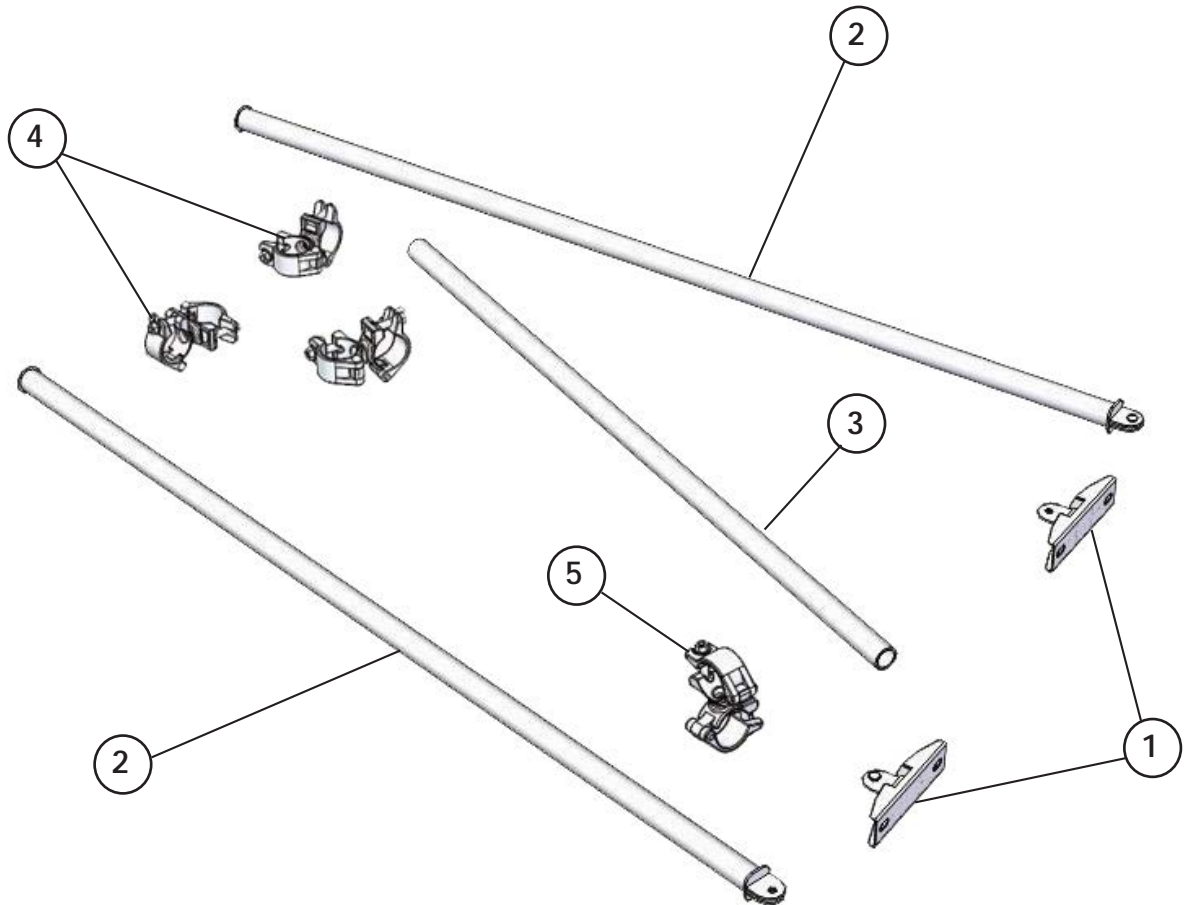
Part 1



4.1

ANCHORING PG115021

Part 2

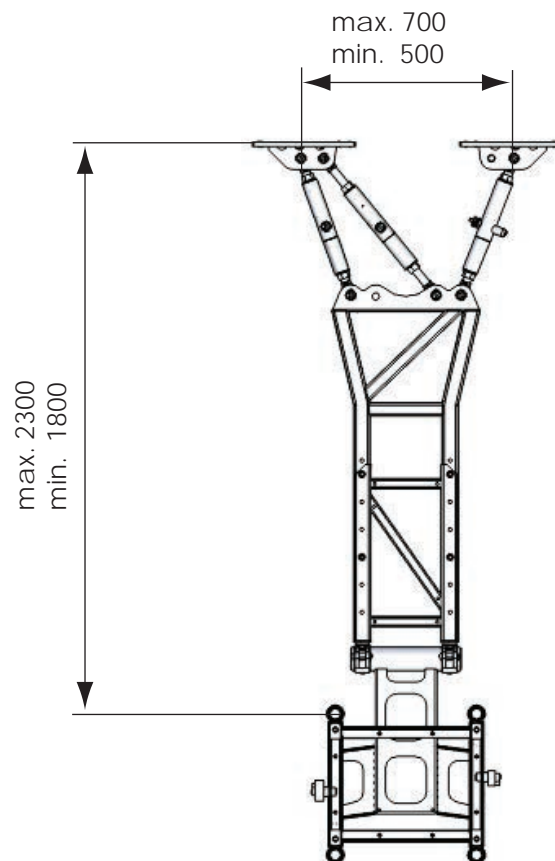
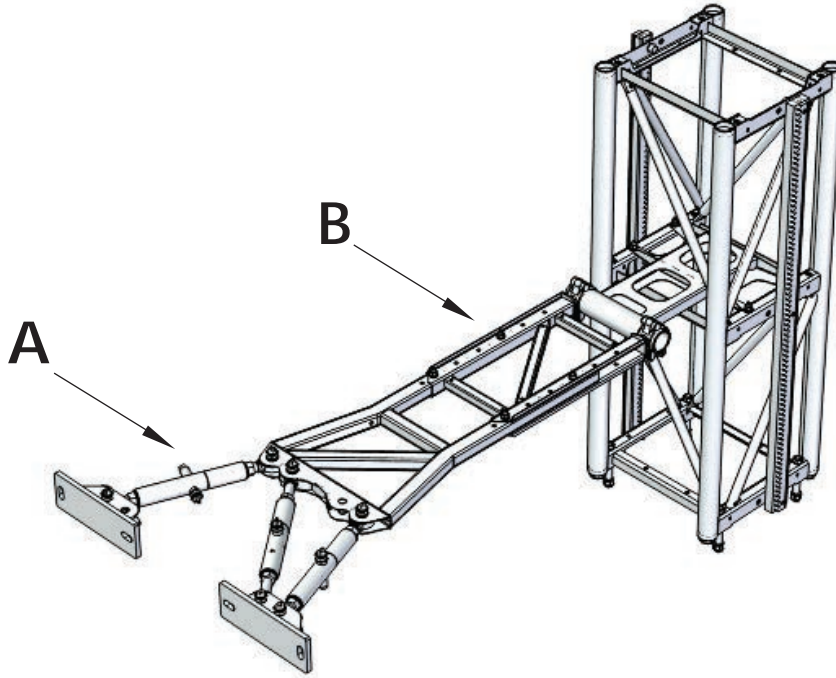


NO	QTY	DESCRIPTION	PART NO.
1	2	Wall grip complete	PG115249
2	2	Anchoring pipe	PG115282
3	1	Pipe	PG115283
4	3	Rotating joint 76x60	PG116856
5	1	Rotating joint 76	PG116811

4.2

STANDARD ANCHORING - SHORT PG115276

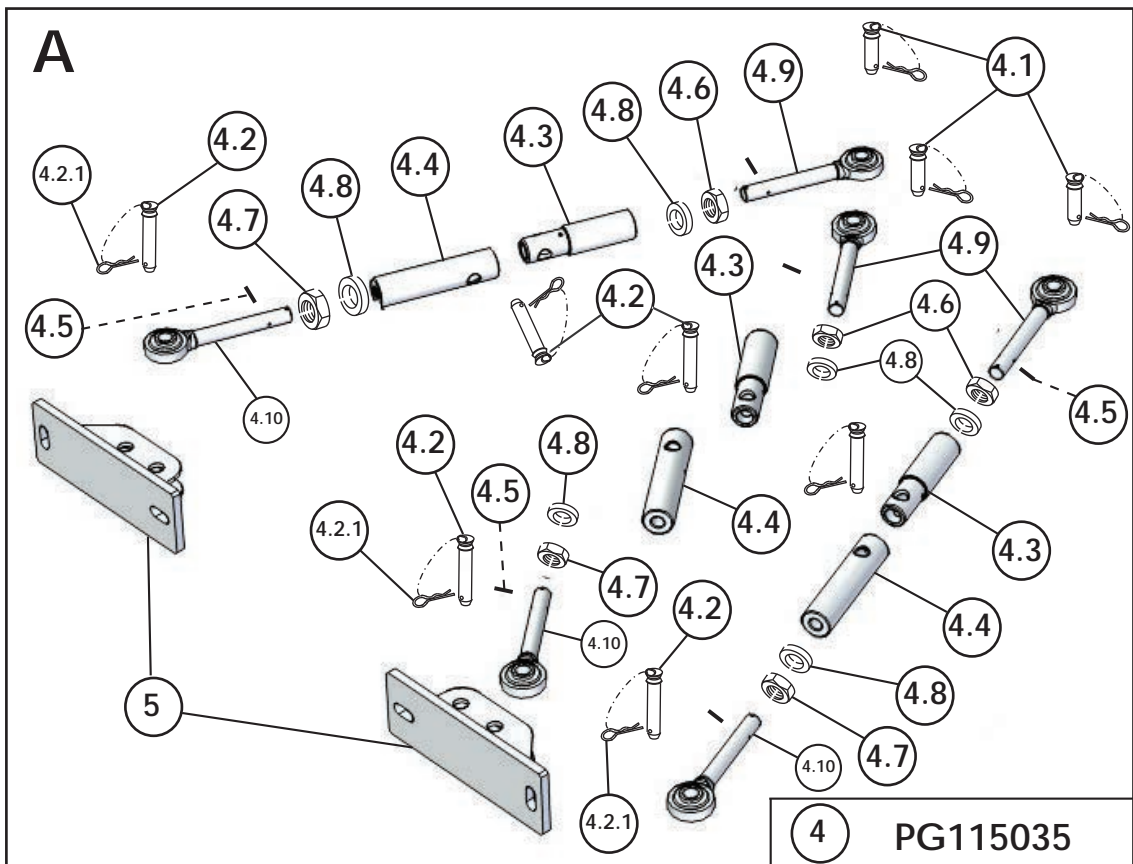
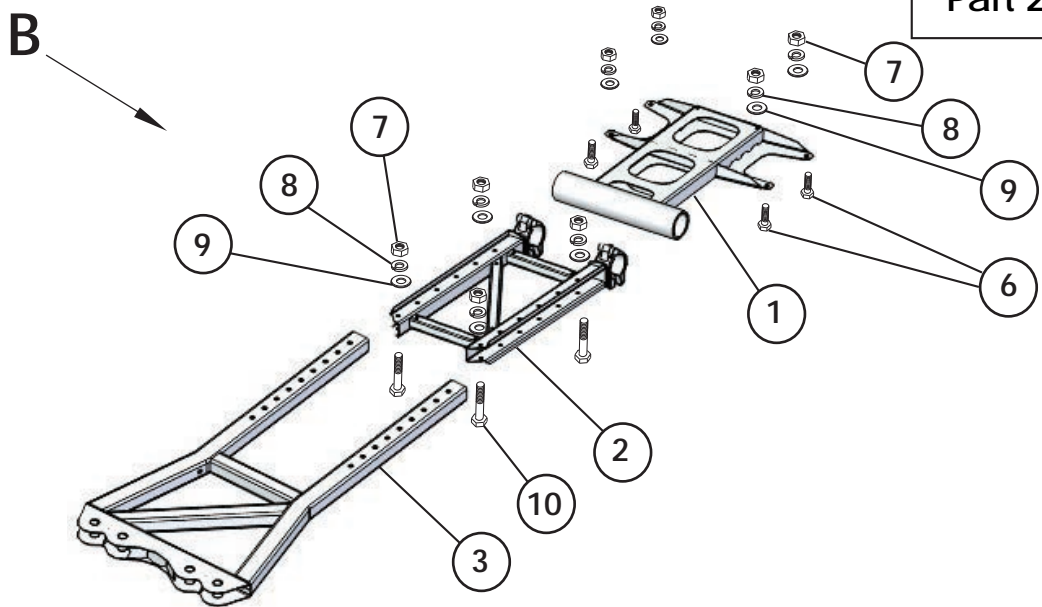
Part 1



4.2

STANDARD ANCHORING - SHORT PG115276

Part 2



4 PG115035

4.2

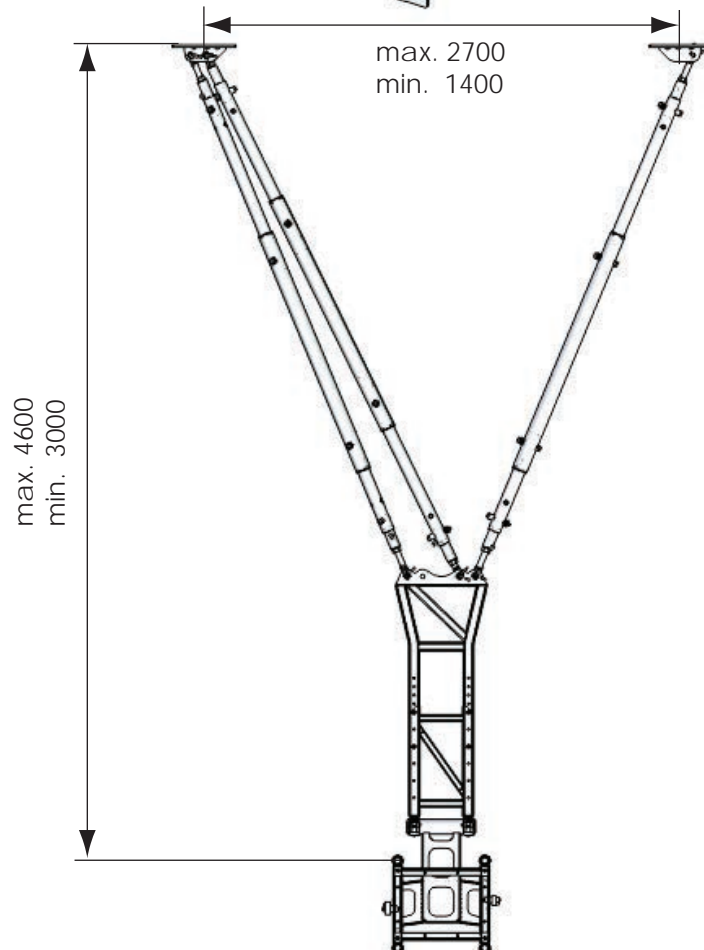
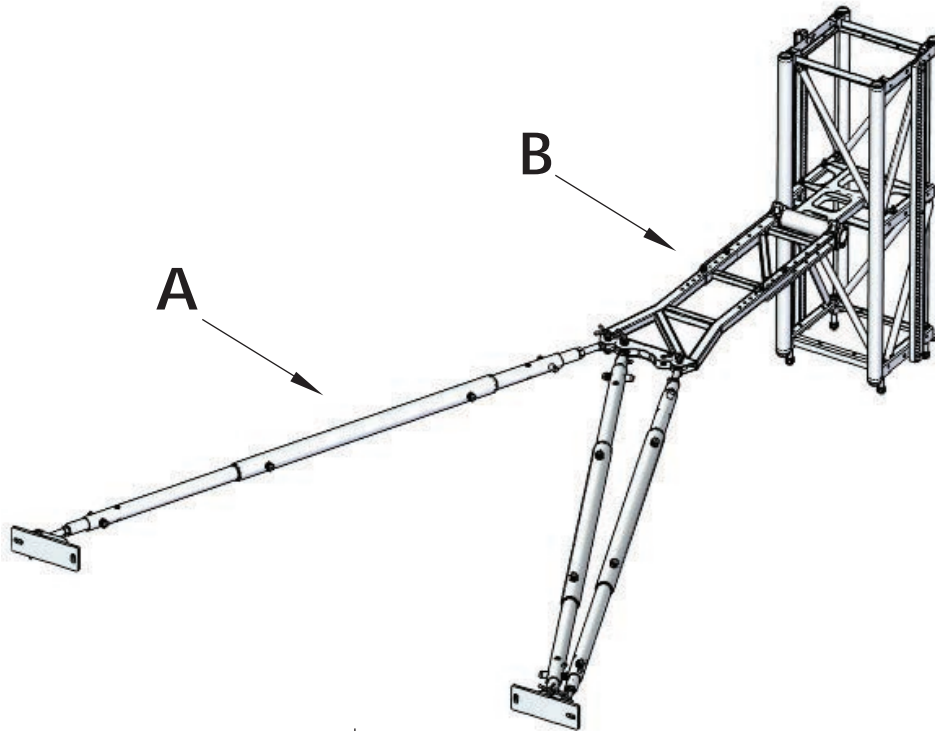
NO	QTY	DESCRIPTION	PART NO.
1	1	Anchoring grip	PG115138
2	1	Anchoring frame	PG115172
3	1	Anchoring frame III	PG115001
4	1	Set of anchoring pipes short	PG115035
4.1	3	Pin complete	PG105360
4.2	6	Long pin complete	PG104157
4.2.1	9	Locking splint	PG100168
4.3	3	Pipe-R	PG104170
4.4	3	Pipe-L	PG104174
4.5	6	Tap screw M5x20 45H A4J	10006048
4.6	3	Nut M24x2-10 R A4J	10006388
4.7	3	Nut M24x2-10 L A4J	10006389
4.8	6	Washer 25HV	10006216
4.9	3	Joint M24x2-R	10000659
4.10	3	Joint M24x2-L	10000660
5	2	Wall bracket	PG104705
6	4	Screw M12x30 8.8 A4J	10005734
7	8	Nut M12 8 A4J	10006343
8	8	Spring washer Z 12,2 Fe/Zn12bcA	10006243
9	8	Washer 13 Fe/Zn12bcA	10006196
10	4	Screw M12x70 8.8 A4J	10005763

4.3

STANDARD ANCHORING - LONG

PG115275

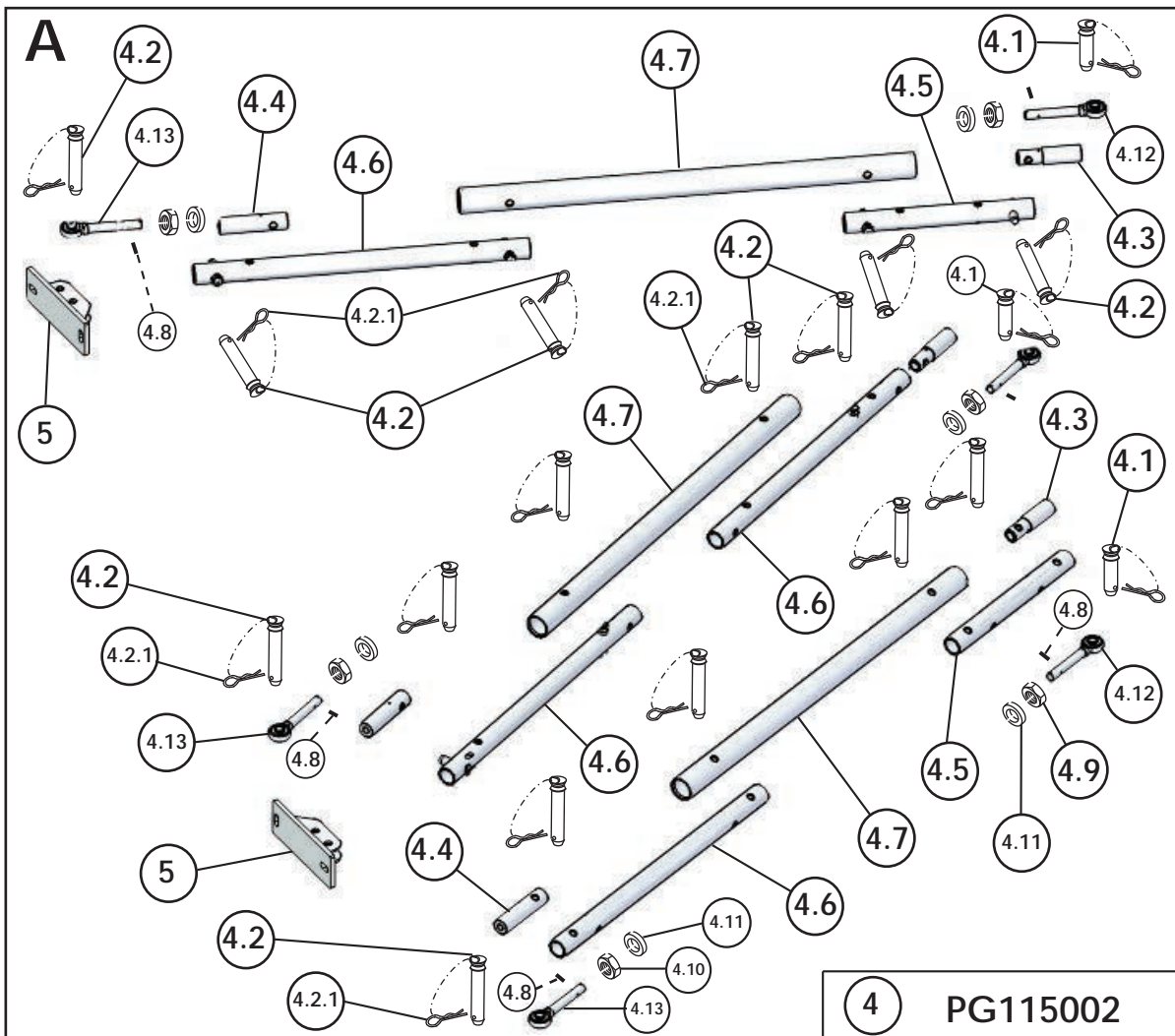
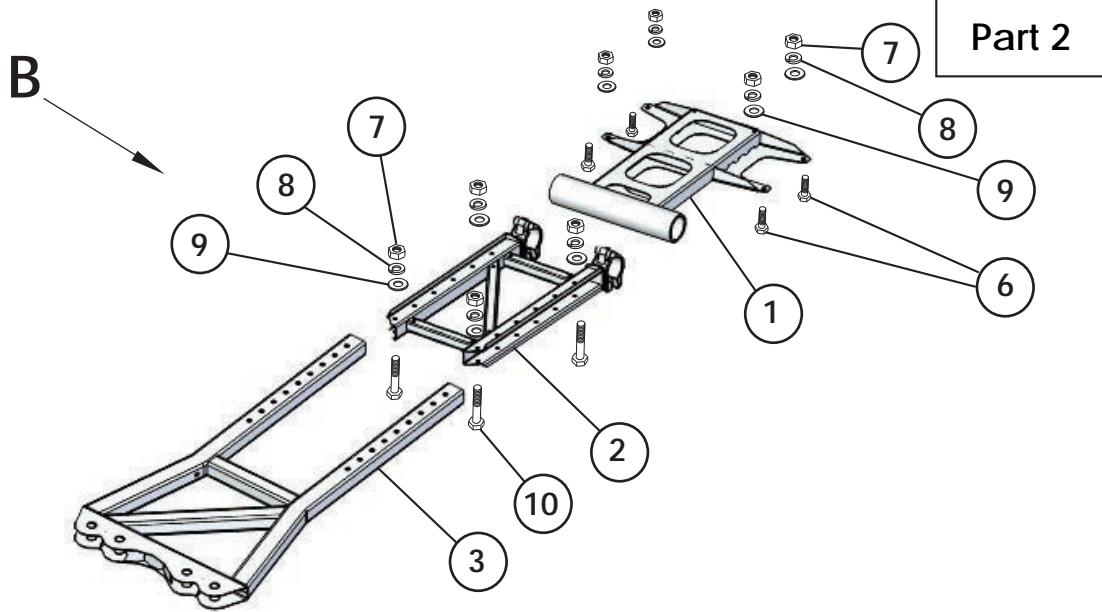
Part 1



4.3

STANDARD ANCHORING - LONG

PG115275



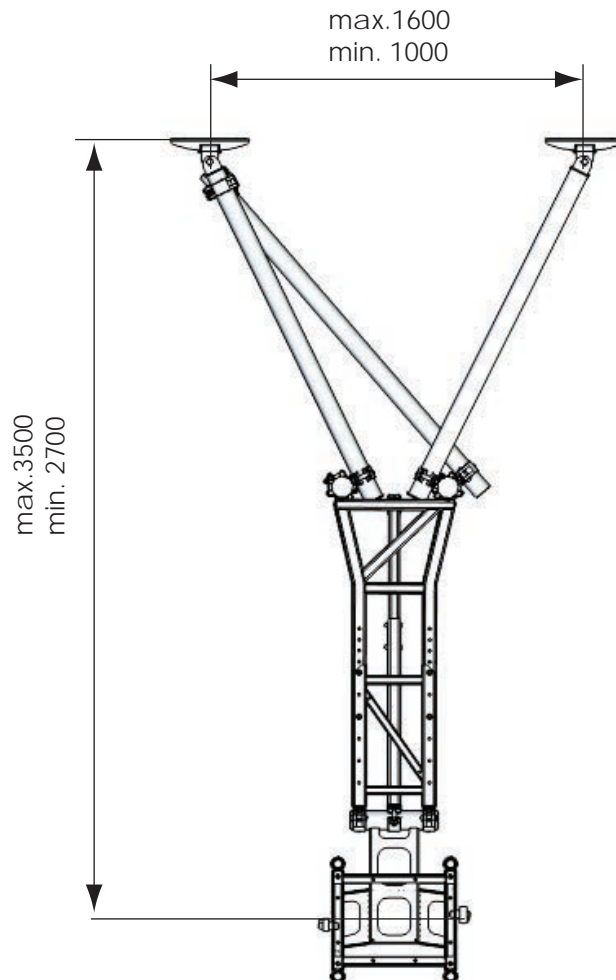
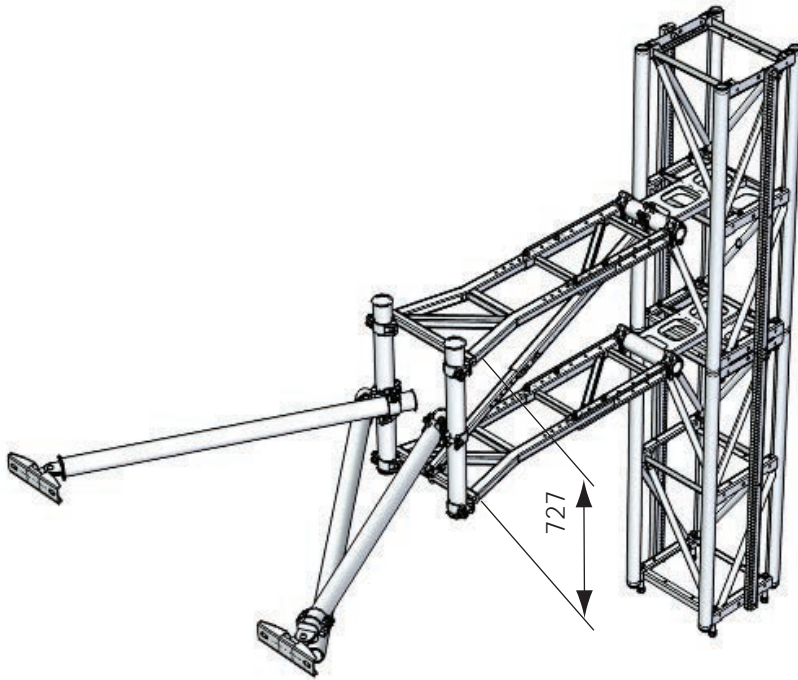
NO	QTY	DESCRIPTION	PART NO.
1	1	Anchoring grip	PG115138
2	1	Anchoring frame	PG115172
3	1	Anchoring frame III	PG115001
4	1	Set of anchoring pipes long	PG115002
4.1	3	Pin complete	PG105360
4.2	15	Long pin complete	PG104157
4.2.1	18	Locking splint	PG100168
4.3	3	Pipe-R	PG104170
4.4	3	Pipe-L	PG104174
4.5	2	Pipe L=580	PG104198
4.6	4	Pipe L=1030	PG104201
4.7	3	Middle pipe complete	PG104213
4.8	6	Tap screw M5x20 45H A4J	10006048
4.9	3	Nut M24x2-10 R	10006388
4.10	3	Nut M24x2-10 L	10006389
4.11	6	Washer 25HV	10006216
4.12	3	Joint M24x2-R	10000659
4.13	3	Joint M24x2-L	10000660
5	2	Wall bracket	PG104705
6	4	Screw M12x30 8.8 A4J	10005734
7	8	Nut M12 8 A4J	10006343
8	8	Spring washer Z 12,2 Fe/Zn12bcA	10006243
9	8	Washer 13 Fe/Zn12bcA	10006196
10	4	Screw M12x70 8.8 A4J	10005763

4.41

VERTICAL ANCHORING L-2,7-3,5 m

PG114944

Part 1

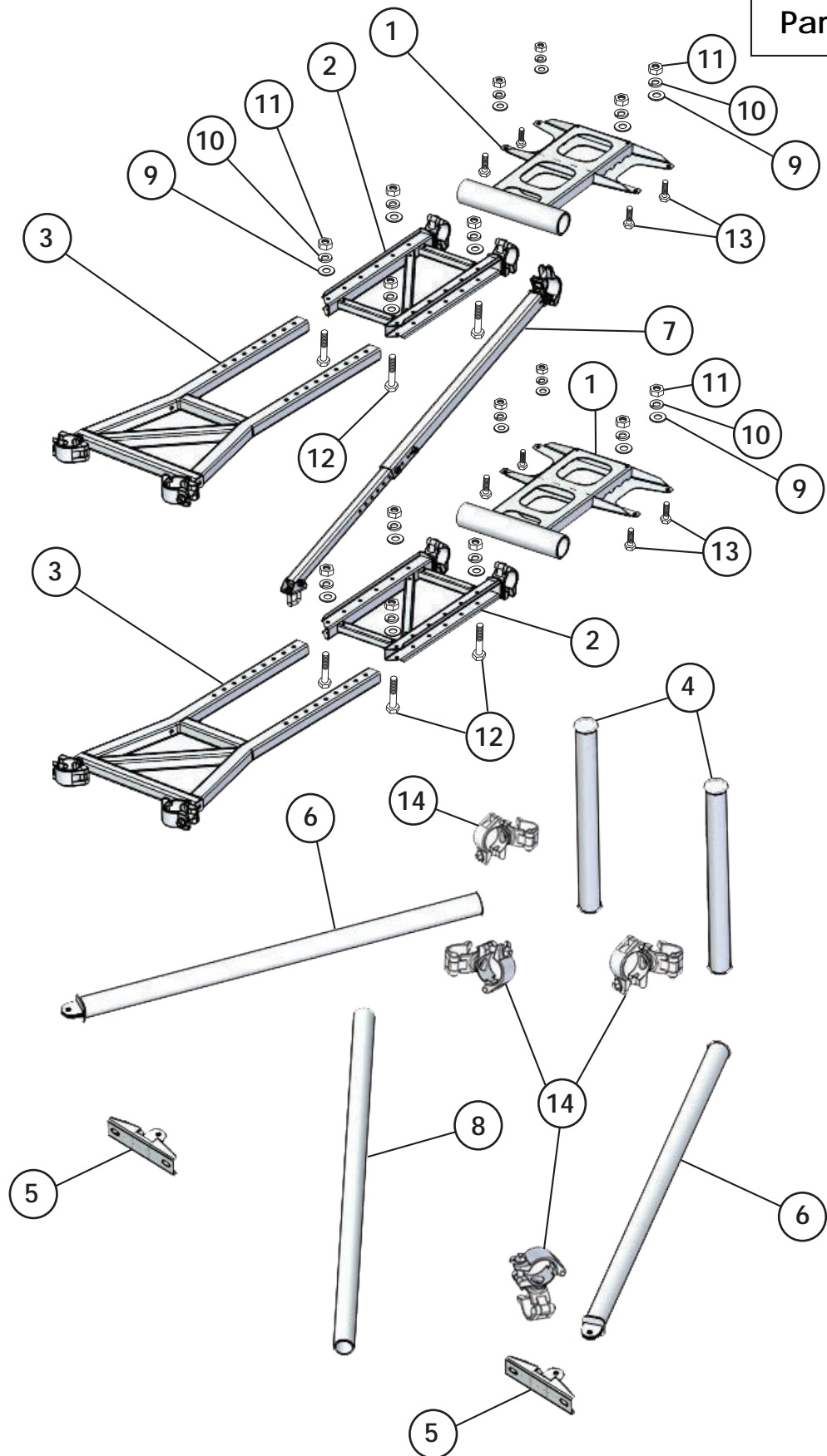


4.41

VERTICAL ANCHORING L-2,7-3,5 m

PG114944

Part 2



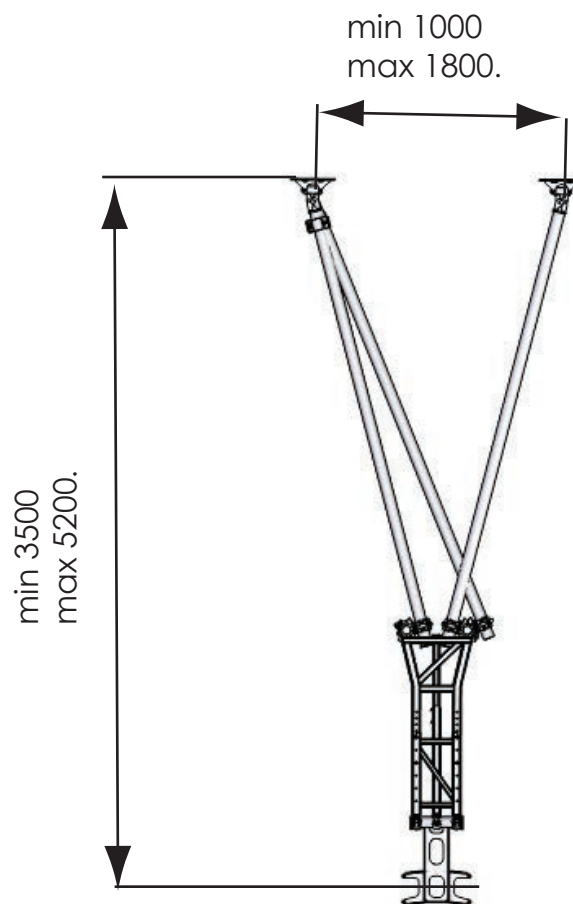
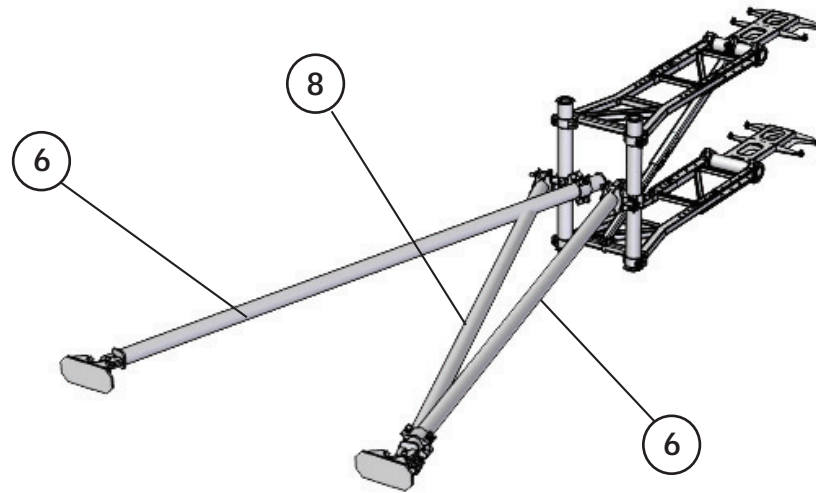
4.41

NO	QTY	DESCRIPTION	PART NO.
1	2	Anchoring grip	PG115138
2	2	Anchoring frame	PG115172
3	2	Anchoring frame II	PG114945
4	2	Pipe complete	PG118378
5	2	Wall bracket complete	PG115249
6	2	Anchoring pipe I complete	PG115248
7	1	Connector complete	PG115266
8	1	Pipe	PG115267
9	16	Washer 13 Fe/Zn12bcA	10006196
10	16	Spring washer 12,2 Fe/Zn12bcA	10006243
11	16	Nut M12 8 A4J	10006343
12	8	Screw M12x70 8.8 A4J	10005763
13	8	Screw M12x30 8.8 A4J	10005734
14	4	Rotating joint 76x76	PG116811

4.42

VERTICAL ANCHORING L-3,5-5,2 m

PG118369



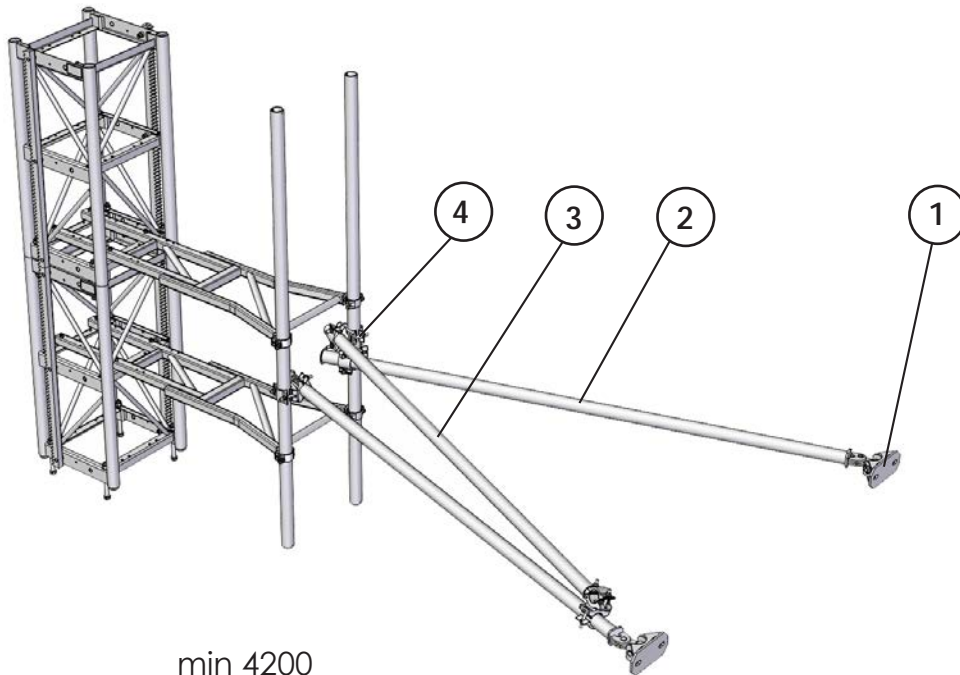
NO	QTY	DESCRIPTION	PART NO.
6	2	Anchoring pipe I complete	PG118370
8	1	Pipe	PG118372

The rest elements of this anchoring is the same as in 4.41

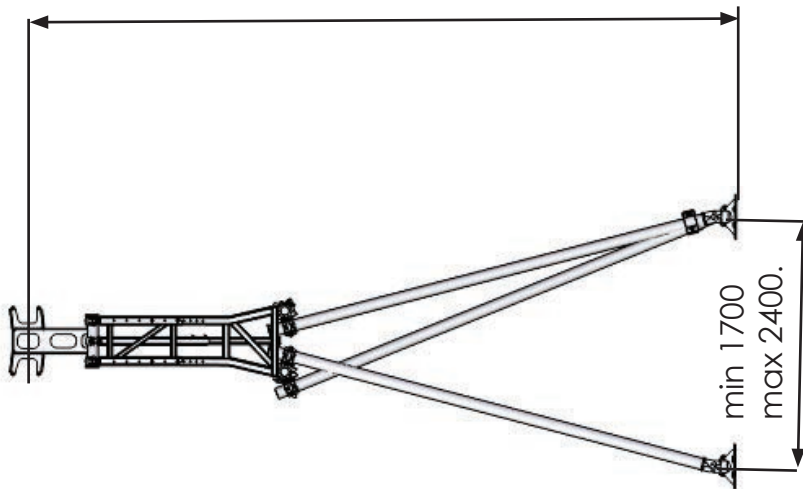
4.43

VERTICAL ANCHORING L-4,2-5,2 m

PG117300

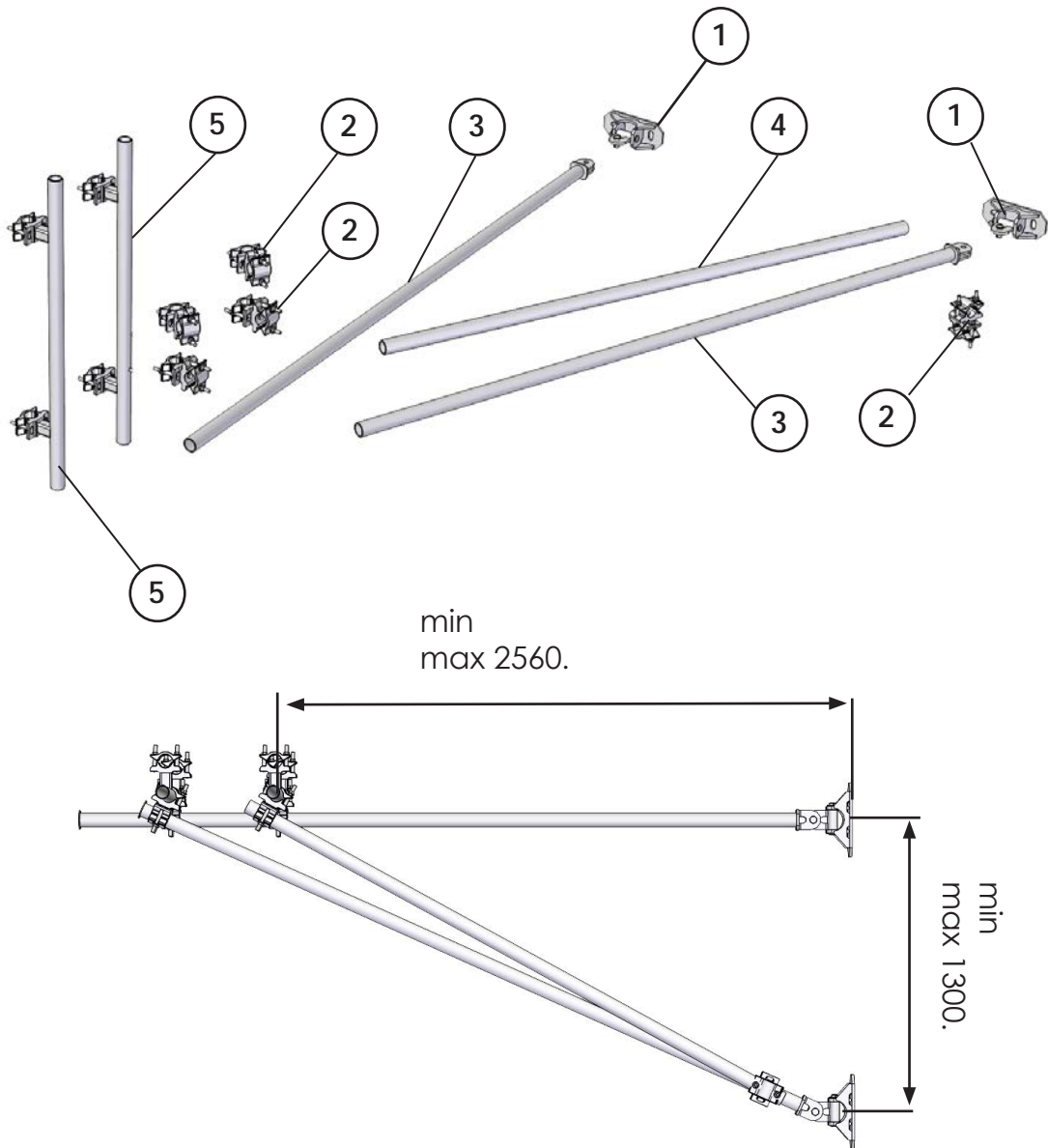


min 4200
max 5200.



NO	QTY	DESCRIPTION	PART NO.
1	2	Wall grip complete	PG115249
2	2	Anchoring pipe II	PG117301
3	1	Pipe	PG117302
4	4	Rotating joint 76x76	PG116811

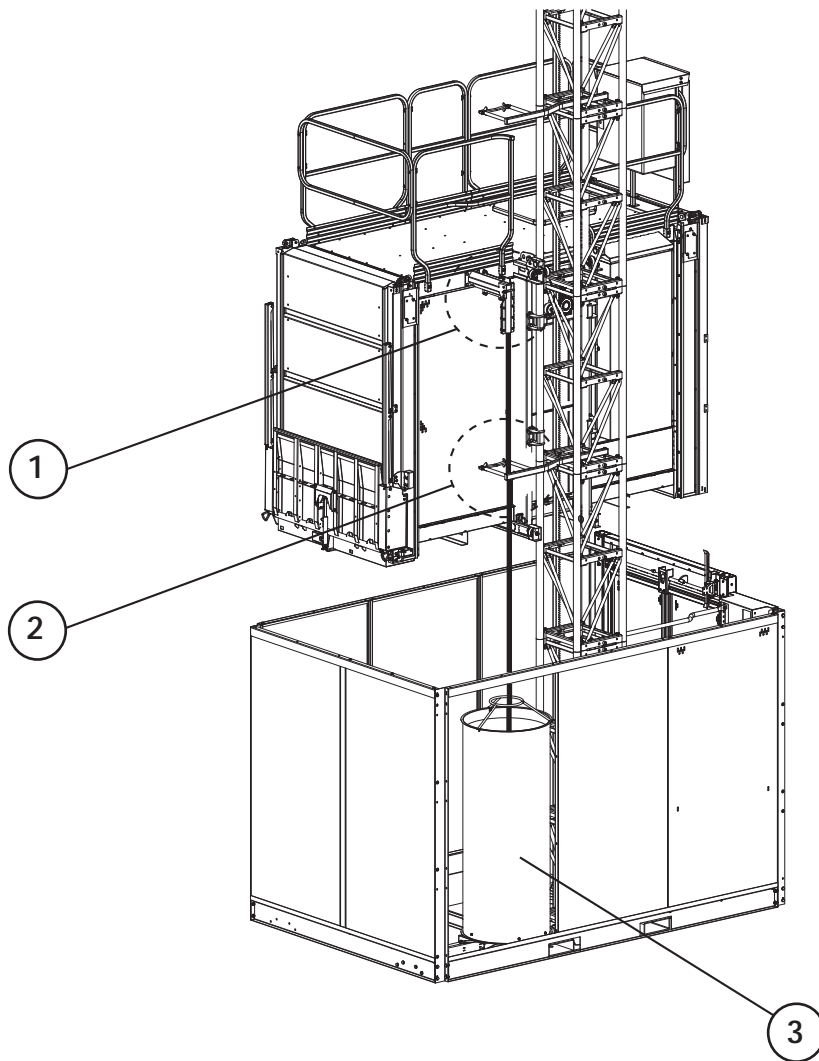
4.5 TOP ANCHORING SC2032-48 PG124639



NO	QTY	DESCRIPTION	PART NO.
1	2	Wall grip complete	PG115249
2	5	Rotating joint 60	PG116818
3	2	Anchoring pipe II	PG117573
4	1	Pipe III	PG117577
5	2	Pipe	PG124640

5

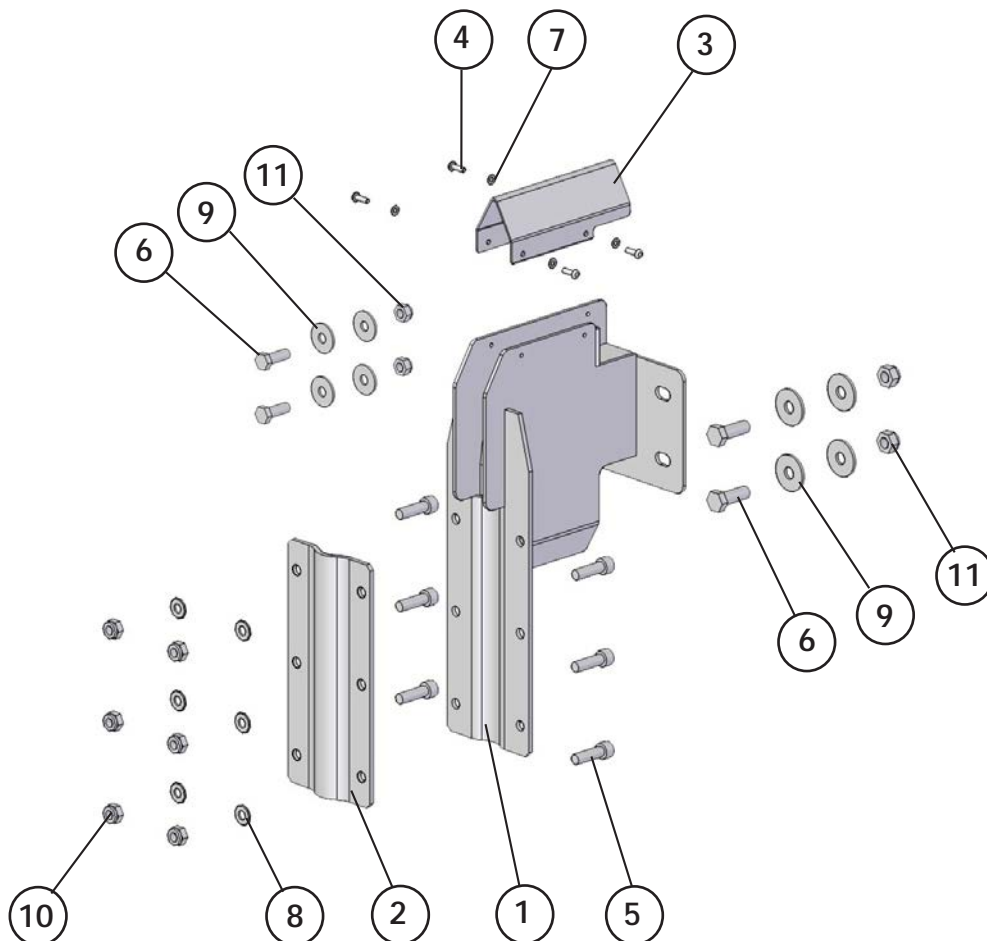
CABLE GUIDE



NO	QTY	DESCRIPTION	PART NO.
1	1	Cable holder on the cage	PG129693
2	1	Cable guide	PG125402
3	1	Cable drum (see chapter 1.5)	PG119644

5.1

CABLE HOLDER ON THE CAGE -universal PG129693

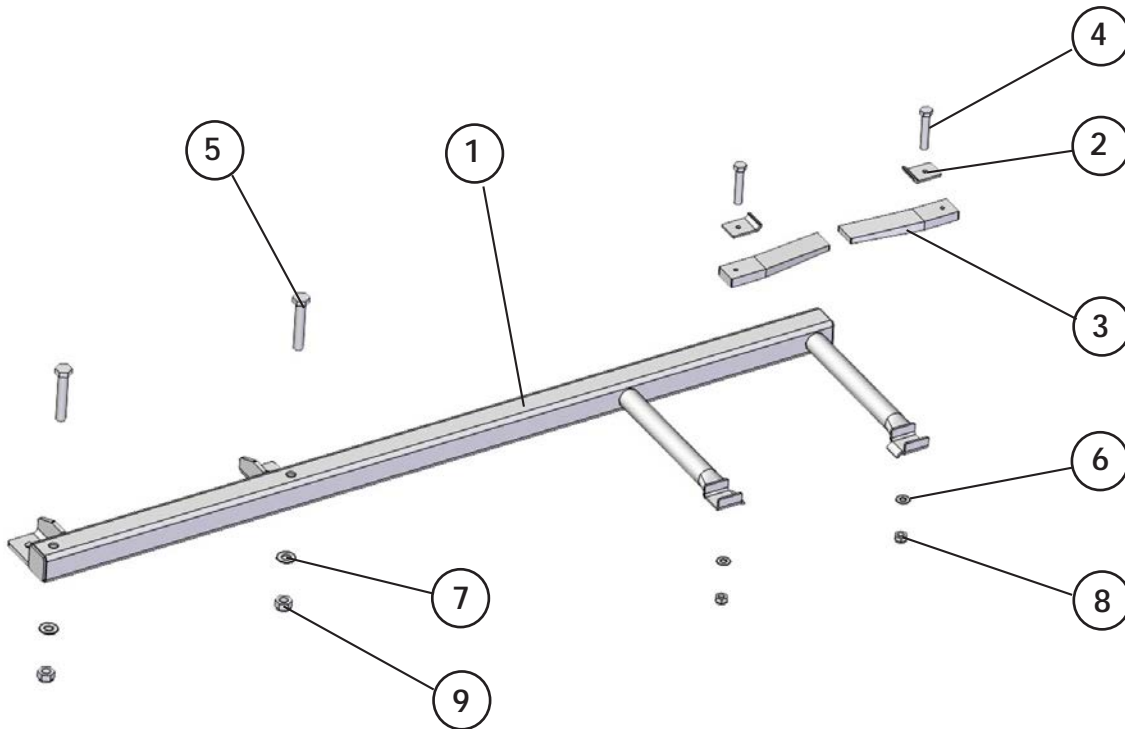


NO	QTY	DESCRIPTION	PART NO.
1	1	Cable holder	PG129695
2	1	Sheet metal	PG106249
3	1	Cover	PG129706
4	4	Screw M5x16 8.8 A4J	10005459
5	6	Screw M10x35 8.8 A4J	10005668
6	4	Screw M12x35 8.8 A4J	10005738
7	4	Washer ISO 7089-5-200 HV A4J	10006171
8	6	Washer ISO 7089-10-200 HV A4J	10006186
9	8	Washer ISO 7093-1-12-200 HV A4J	10006194
10	6	Self-locking nut M10 8B A2J	10006286
11	4	Nut M12 8B A4J	10006291

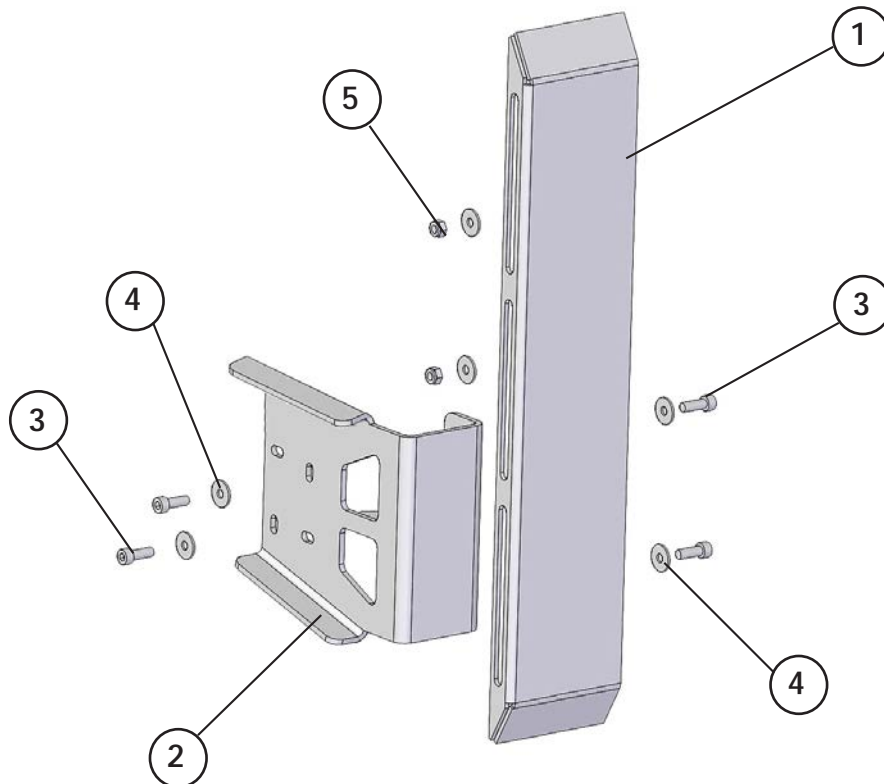
5.2

CABLE GUIDE COMPLETE

PG125402



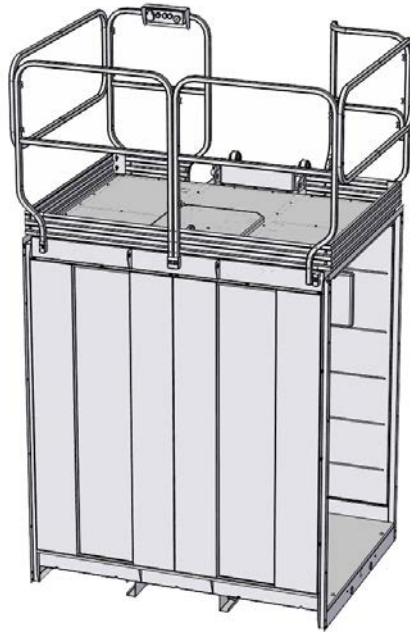
NO	QTY	DESCRIPTION	PART NO.
1	1	Cable guide frame	PG125404
2	2	Plate	PG127718
3	2	Elastic limiter	PG102558
4	2	Screw M5x30 8.8 A4J	10005467
5	2	Screw M12x70 8.8 A4J	10005763
6	2	Washer 5,3 Fe/Zn12bcA	10006171
7	2	Washer 13 Fe/Zn12bcA	10006196
8	2	Nut M5 5B A4J	10006273
9	2	Nut M12 8B A4J	10006291



NO	QTY	DESCRIPTION	PART NO.
1	1	Cam	PG124234
2	1	Holder	PG117633
3	4	Screw M6x18 A2-70	10005501
4	2	Nut M6 8 A4-70	10006279
5	6	Washer 6-200 HV A4J	10006177

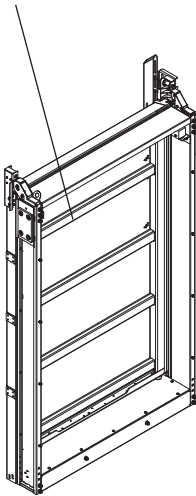
7

CAGES H48

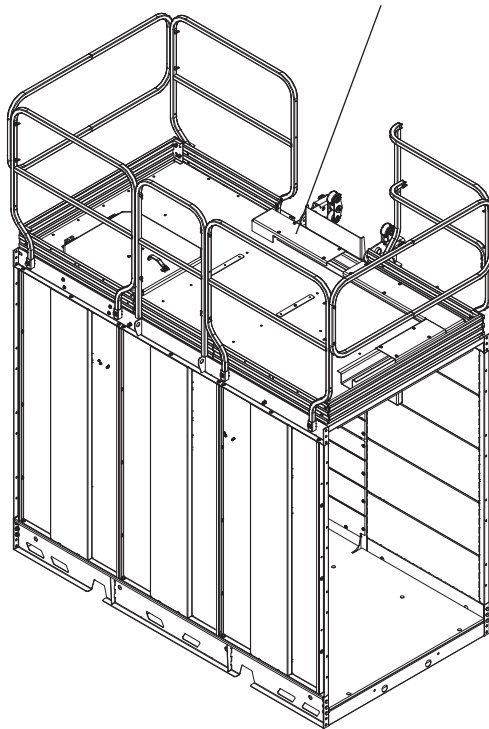


Basic cage H48 SCXX24 PG117297

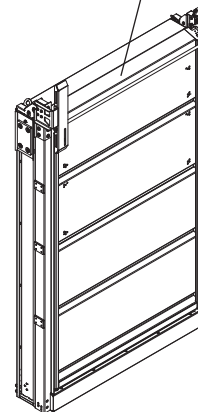
Cage door module std H48 PG114745



Basic cage H48 SCXX32 PG165027

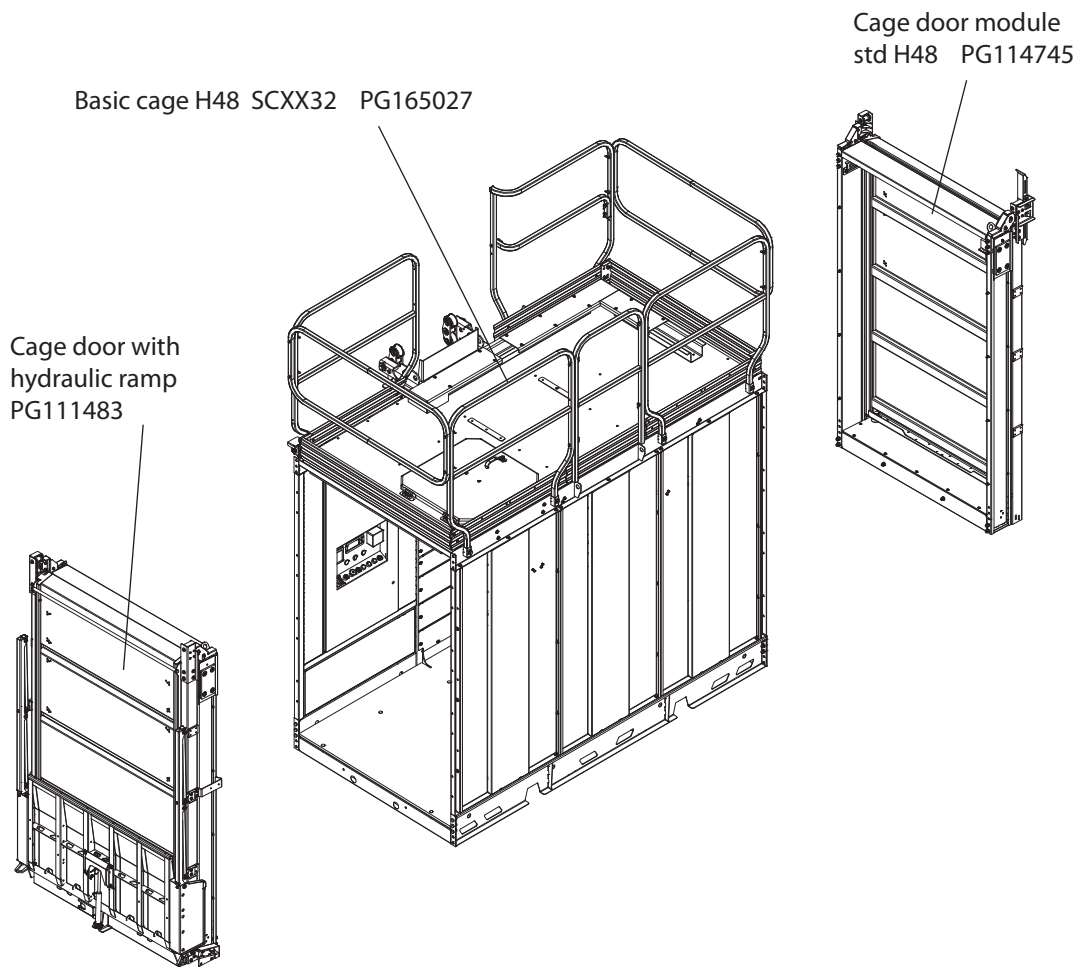


Cage door module
std H48 PG114745



Cage complete H48 SCXX32 with A+B doors

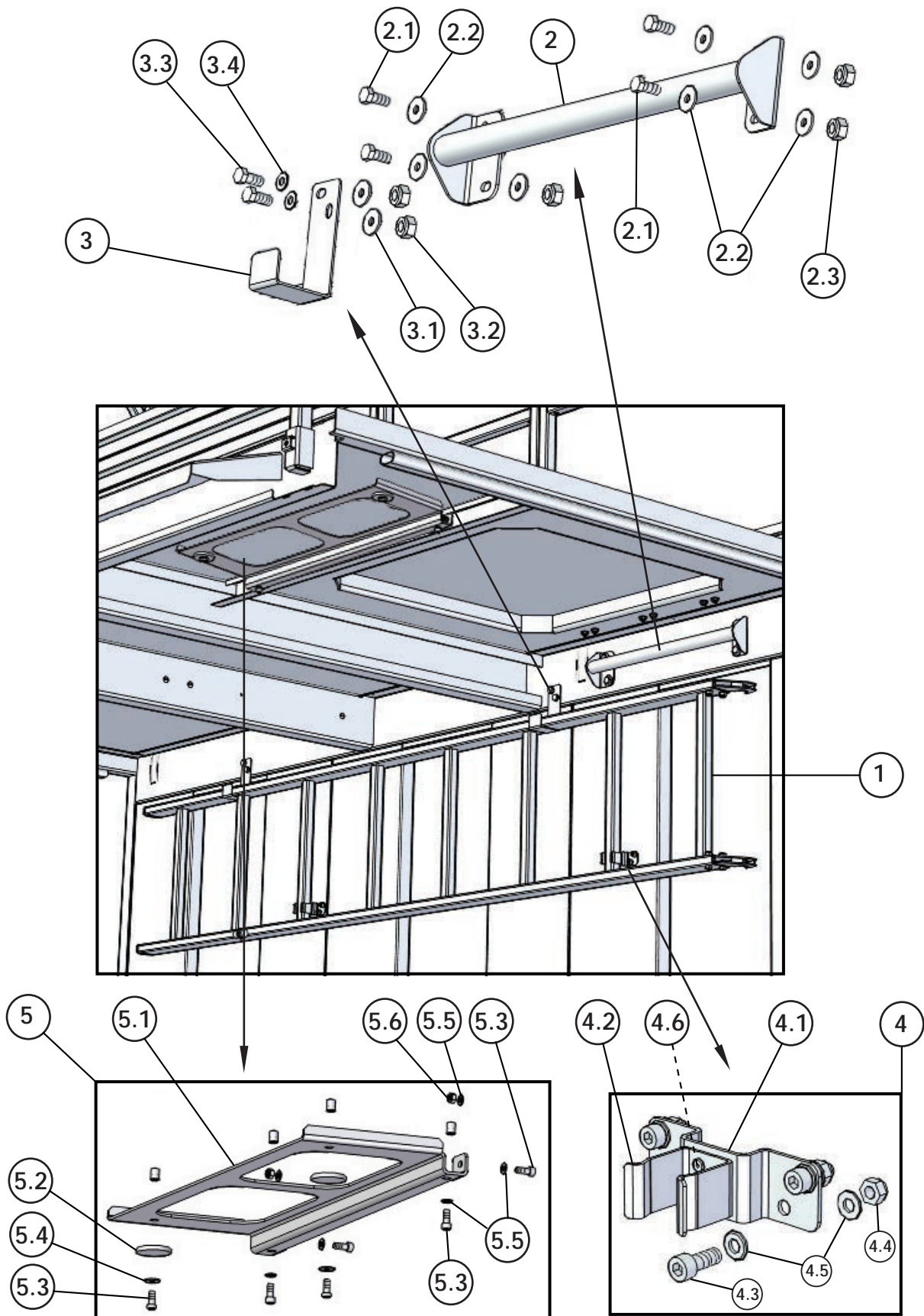
PG165027



Cage compl. H48 SCXX32 L/H ver. A+B with ramp PG165027

7.1

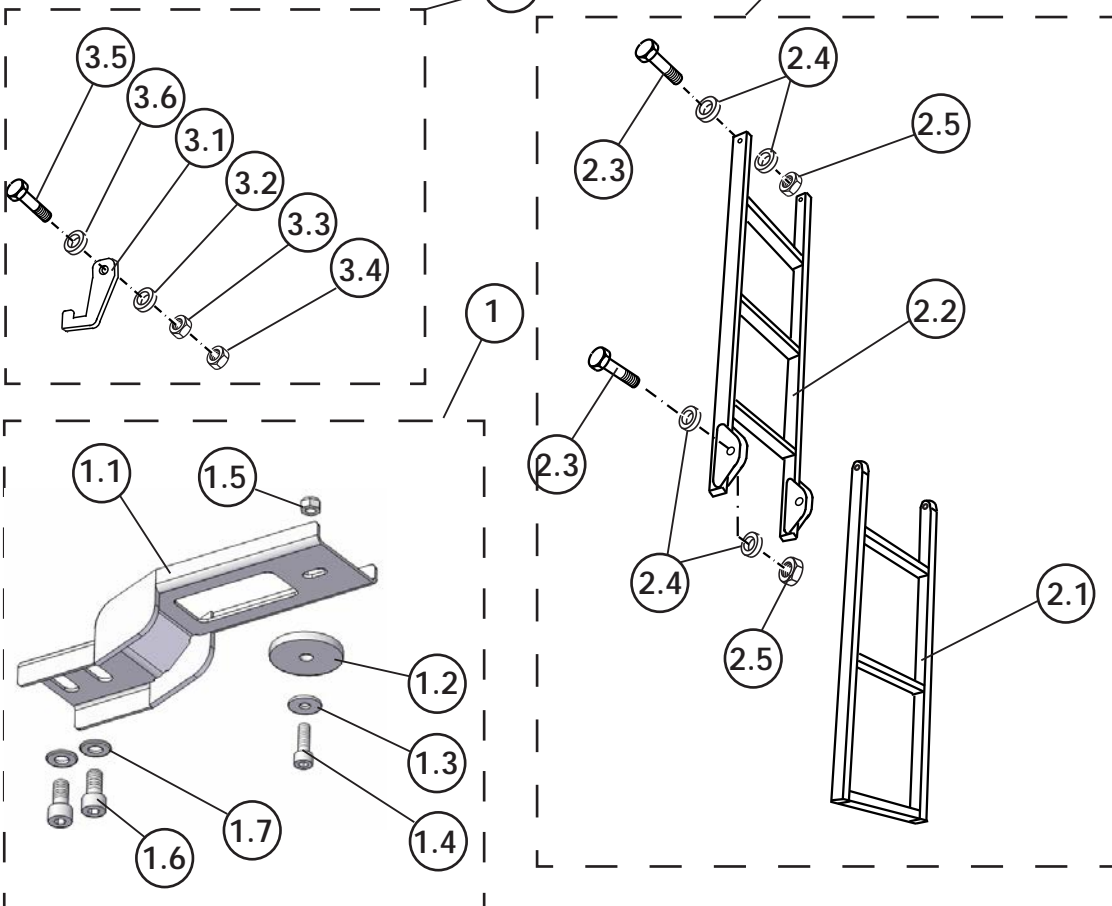
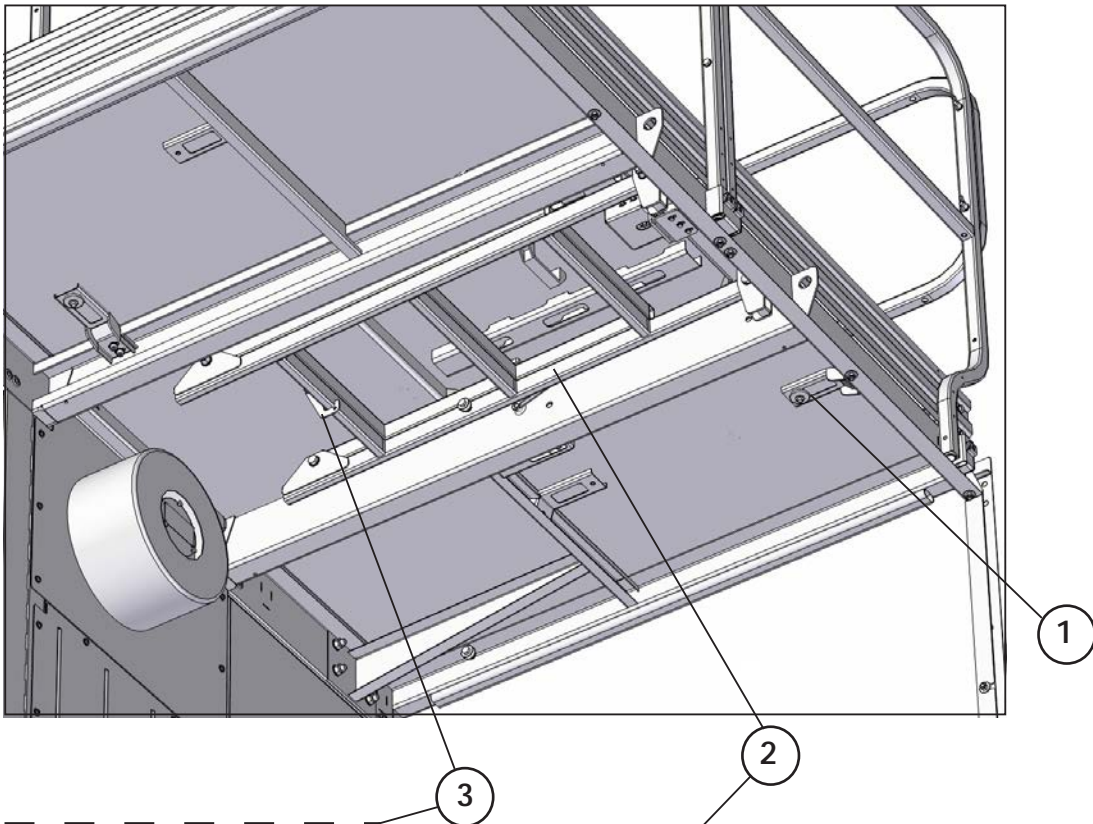
BASIC CAGE H48 SCXX32 PARTS PG165075



NO	QTY	DESCRIPTION	PART NO.
1	1	Ladder complete	PG 116566
2	1	Ladder hook	PG116555
2.1	4	Screw M8x20 8.8	10007354
2.2	8	Washer 8-200 HV A4	10006181
2.3	4	Nut M8 8B A4J	10006281
3	2	Ladder console	PG116550
3.1	2	Washer 8-200 HV A4	10006181
3.2	2	Nut M8 8B A4J	10006281
3.3	2	Screw M8x20 8.8	10007354
3.4	2	Washer 8,4 A4	10006179
4	2	Holder complete	PG116559
4.1	1	Sheet metal	PG116556
4.2	1	Catch	PG116557
4.3	4	Screw M6x16 A4-70	10005503
4.4	4	Nut M6 A4-70	10006279
4.5	8	Washer 6,4 A4	10006176
4.6	2	Rivet 3x8 FE/FE	10006489
5	2	Lamp console	PG116732
5.1	1	Console	PG116731
5.2	2	Rubber washer	PG116410
5.3	6	Screw M6x16 A4-70	10005503
5.4	2	Washer 6-200 HV A4J	10006177
5.5	6	Washer 6,4 A4	10006176
5.6	2	Nut M6 A4-70	10006279

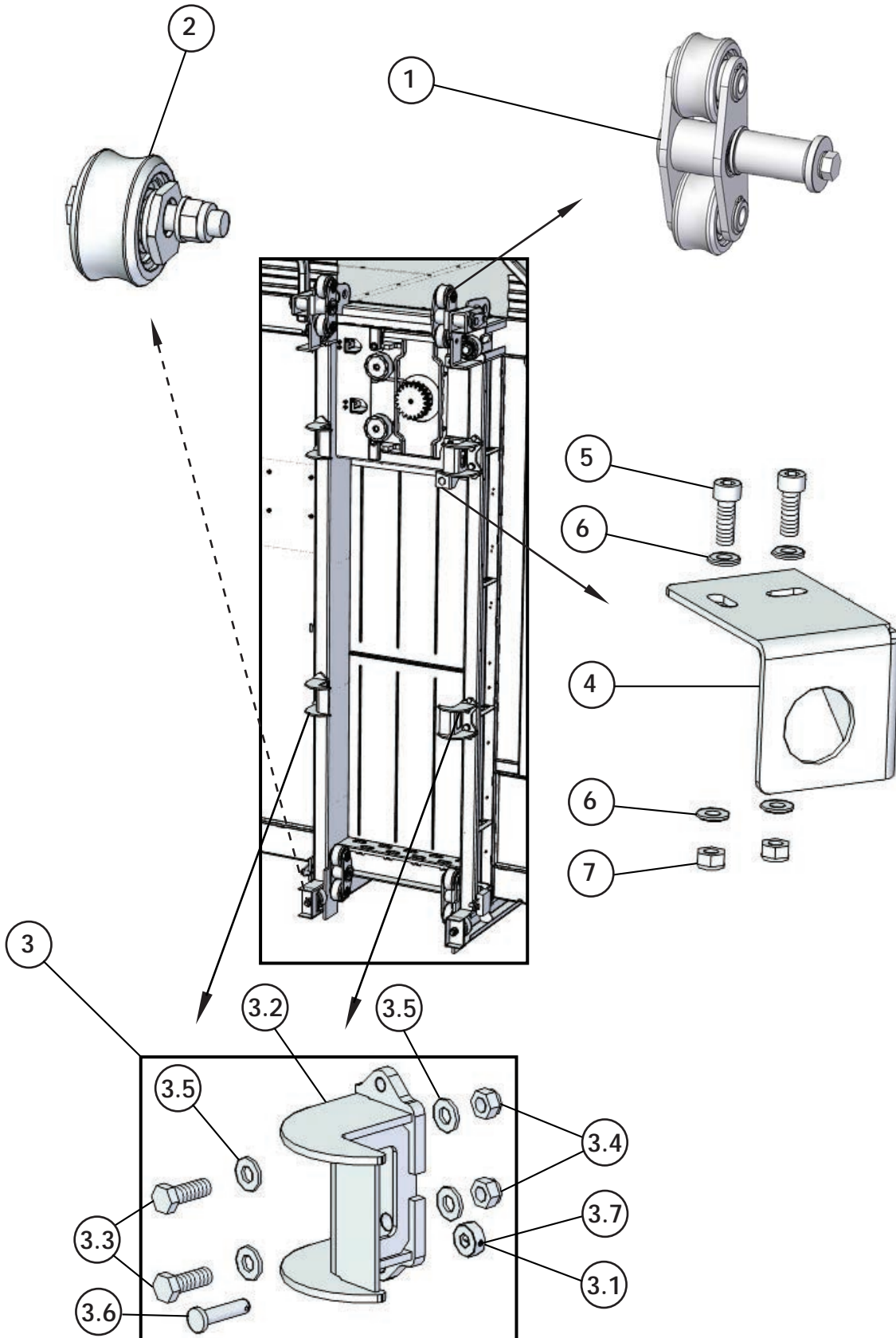
7.2

BASIC CAGE H48 SCXX24 PARTS PG117297



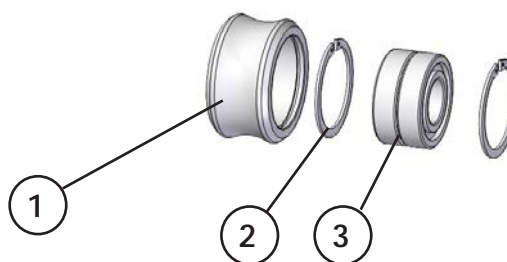
NO	QTY	DESCRIPTION	PART NO.
1	4	Lamp console	PG116415
1.1	1	Console	PG116414
1.2	1	Rubber washer	PG116410
1.3	1	Washer 6-200 HV A4J	10006177
1.4	1	Screw M6x18 A2-70	10007710
1.5	1	Nut M6 A4-70	10006279
1.6	2	Screw M8x16 A2-70	10005546
1.7	2	Washer 8,4 A4	10006178
2	1	Ladder	PG102577
2.1	1	Frame 1	PG102567
2.2	1	Frame 2	PG102570
2.3	4	Screw M12x50-8.8	89024001
2.4	8	Washer 13	89102801
2.5	4	Nut M12-8	89206800
3	1	Hook assembly	PG102576
3.1	1	Hook	PG102571
3.2	1	Spring washer	89106920
3.3	1	Nut M6-8	89203400
3.4	1	Nut M6-8	89200501
3.5	1	Screw M6x25-8.8	89006610
3.6	1	Washer 6,4	89101301

7.3 BASIC CAGES H48 SCXX32, SCXX24 PARTS Part 1



NO	QTY	DESCRIPTION	PART NO.
1	4	Rocking lever complete	PG 116313
2	4	Roller I complete	PG115465
3	4	Catch complete	PG114779
3.1	1	Sleeve	PG114770
3.2	1	Catch	PG 114776
3.3	2	Screw M12x35 8.8 A4J	10005738
3.4	2	Nut M12 8B A4J	10006291
3.5	4	Washer 13 HV	10006199
3.6	1	Pin B 10x45x40 Fe/Zn12bcA	10006459
3.7	1	Pin 4x24	10006423
4	1	Sensor console	PG116450
5	2	Screw M6x18 A2-70	10007710
6	4	Washer 6,4 A4	10006176
7	2	Nut M6 A4-70	10006279

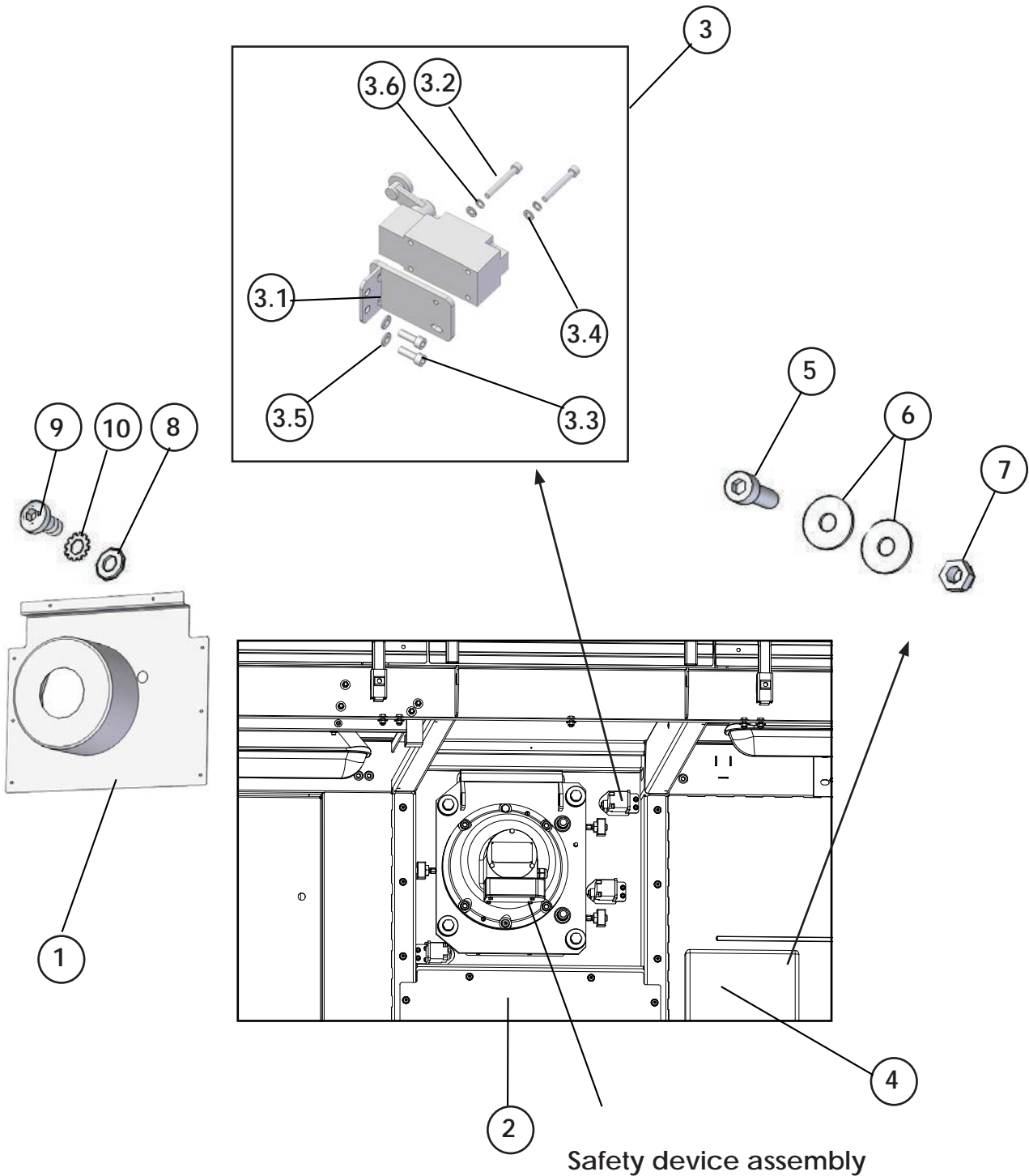
Special set PG145397 of roller

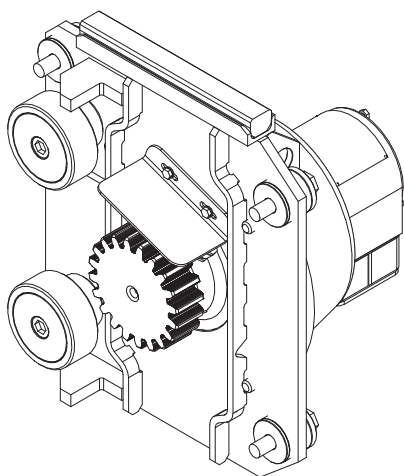


1	1	Roller	PG143257
2	2	Spring retaining ring W62	10000912
3	1	Ball bearing 6206 2RS	10000106

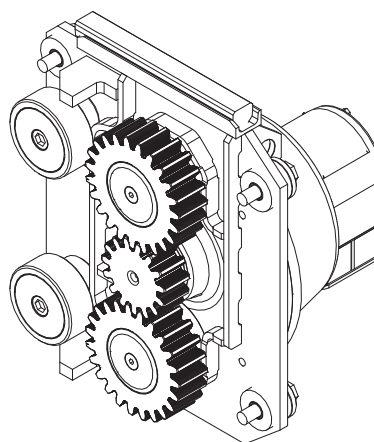
7.3

BASIC CAGES H48 SCXX32, SCXX24 PARTS Part 2





Safety device assembly
SCXX32(24) PG116212
see 9.2

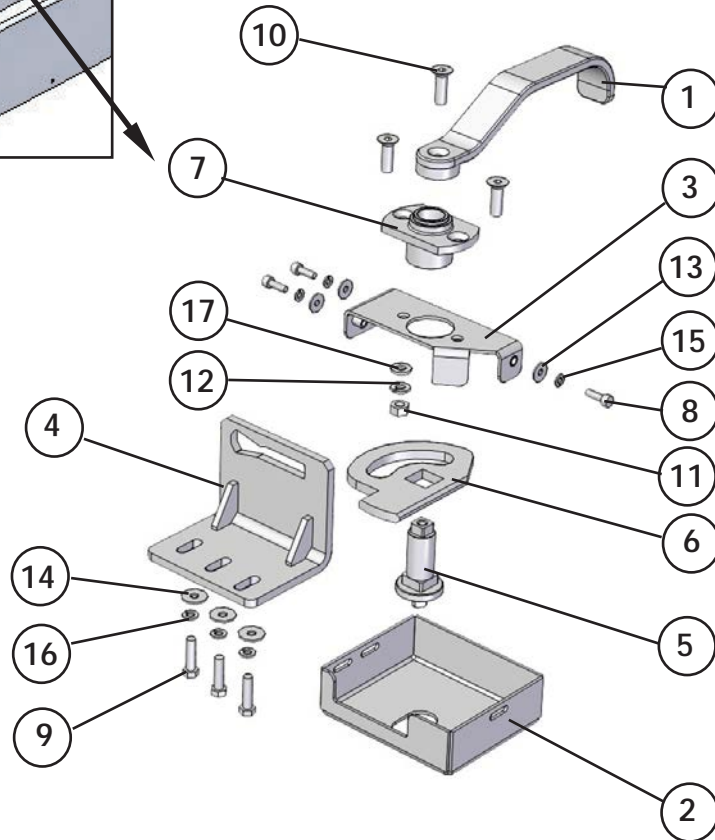
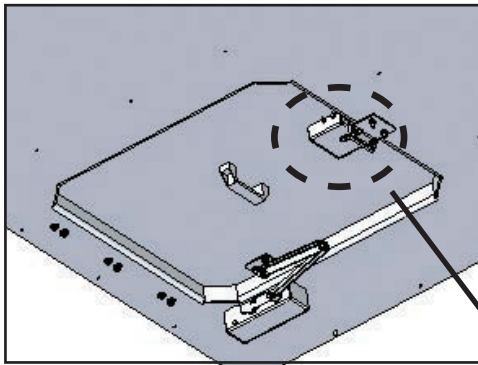


Safety device assembly
SC2032-48 PG114814
see 9.3

NO	QTY	DESCRIPTION	PART NO.
1	1	Safety device cover	PG117582
2	2	Middle cover	PG114866
3	3	Switch console	PG128914
3.1	1	Console	PG123606
3.2	2	Screw M5x40 8.8 A4J	10005474
3.3	2	Screw M6x18 A2-70	10007710
3.4	2	Washer ISO 7089-5-200 HV A2	10006172
3.5	2	Washer ISO 7089-6-200 HV A4	10006176
3.6	2	Spring washer 6,4	10006235
4	1	Box for documents 50x280x360 -25°	10000873
5	4	Screw M5x16 A4-70	10007710
6	8	Washer 5,3 A2	10006172
7	4	Nut M5 A4-70	10006274
8	8	Washer 5,3 A2	10006172
9	8	Screw M5x16 ISO 7380	10005453
10	8	Toothed lock with ext. teeth 5,3	10006232

7.4

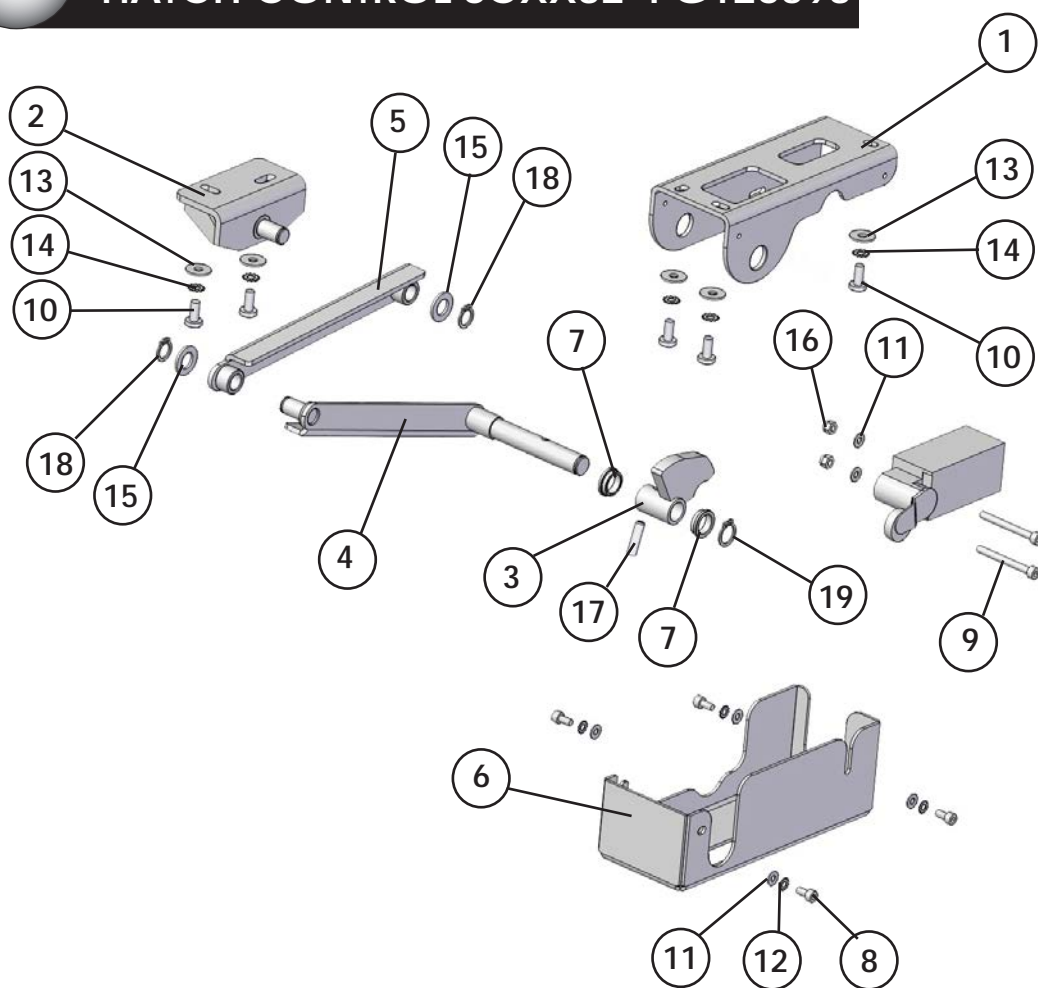
LOCK OF HATCH PG116993



NO	QTY	DESCRIPTION	PART NO.
1	1	Handle	PG116888
2	1	Box	PG116942
3	1	Holder	PG116947
4	1	Sheet metal	PG126711
5	1	Pin	PG116880
6	1	Lock	PG116881
7	1	Case	PG116948
8	3	Screw M4x12 8.8A4J	10005431
9	3	Screw M5x20 5.8	10005461
10	3	Screw M6x20 8.8	10007387
11	6	Nut M6 A4J	10006319
12	2	Washer 6,4 Fe/Zn12bcA	10006175
13	3	Washer ISO 7093-1-4-200	10006170
14	3	Washer ISO 7093-1-5-200	10006174
15	3	Spring washer Z 4,1 Fe/Zn12bcA	10006227
16	3	Spring washer Z 5,1 Fe/Zn12bcA	10006230
17	3	Spring washer Z 6,1 Fe/Zn12bcA	10006233

7.5

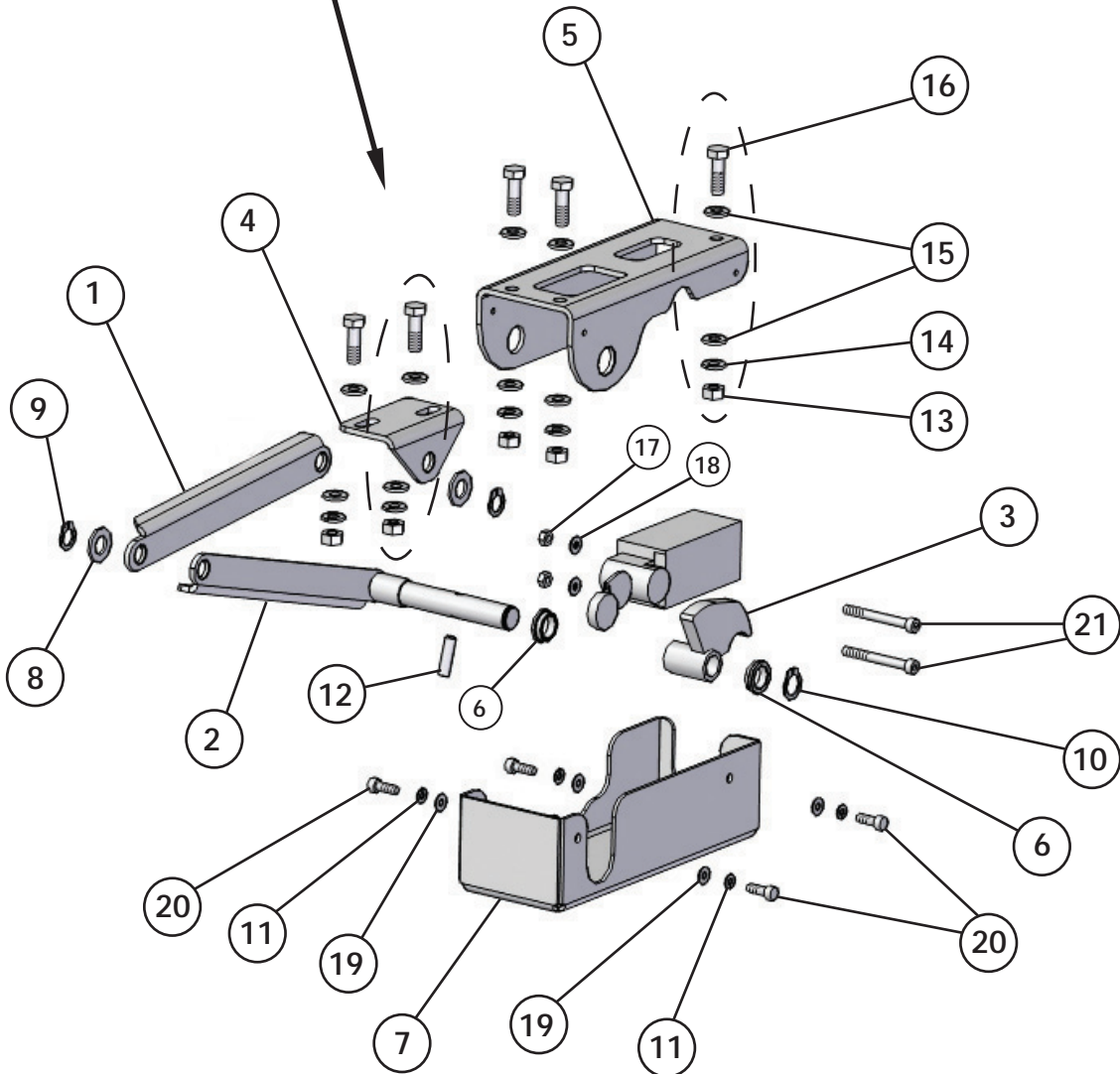
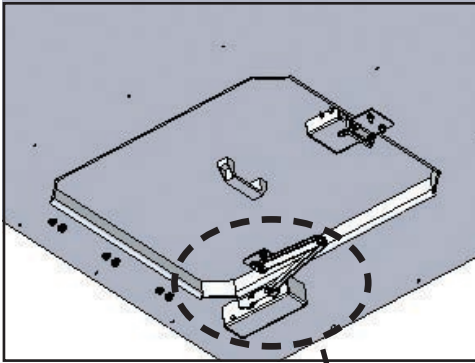
HATCH CONTROL SCXX32 PG126593



NO	QTY	DESCRIPTION	PART NO.
1	1	Holder of hatch controle	PG117035
2	1	Holder	PG126581
3	1	Cam complete	PG117056
4	1	Lever	PG126523
5	1	Lever II	PG126501
6	1	Cover	PG117032
7	2	Sleeve	PG117036
8	4	Screw M4x8 8.8 A4J	10005426
9	2	Screw M4x40 8.8 A4J	10005441
10	5	Screw M5x12 8.8 A4J	10005453
11	6	Washer ISO 7089-4-200	10006169
12	4	Spring washer Z 4,3 Fe/Zn12bcA	10006229
13	5	Washer ISO 7093-1-5-200	10006174
14	5	Spring washer Z 5,3 Fe/Zn12bcA	10006232
15	2	Washer 10,5 Fe/Zn 12bcA	10007772
16	2	Self locking nut M4-A2-70	10006272
17	1	Pin 5x20	10006428
18	2	Retaining ring Z10	10000885
19	1	Retaining ring Z12	10000886

7.6

HATCH CONTROL SCXX24 PG117972

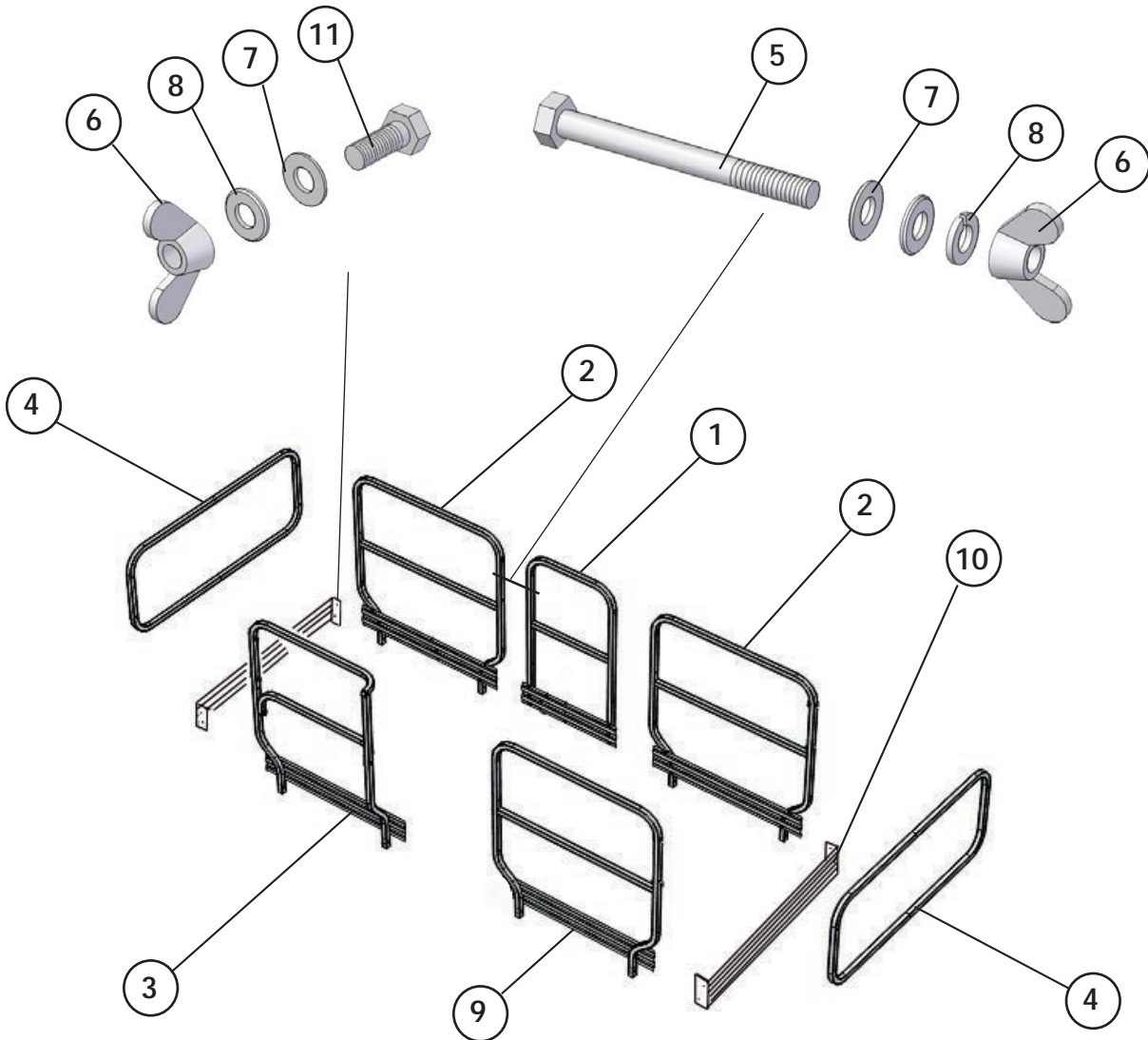


NO	QTY	DESCRIPTION	PART NO.
1	1	Lever II	PG117072
2	1	Lever	PG117974
3	1	Cam complete	PG117056
4	1	Holder	PG117073
5	1	Holder of hatch controle	PG117035
6	2	Sleeve	PG117036
7	1	Cover	PG117032
8	2	Washer 10,5 Fe/Zn 12bcA	10007772
9	2	Retaining ring Z10	10000885
10	1	Retaining ring Z12	10000886
11	4	Spring washer Z 4,1 Fe/Zn12bcA	10006227
12	1	Pin 5x20	10006428
13			
14	5	Spring washer Z 5,3 Fe/Zn12bcA	10006232
15	5	Washer ISO 7093-1-5-200 HV A4J	10006174
16	5	Screw M5x12 8.8 A4J	10005453
17	2	Nut M4-A2-70	10006272
18	2	Washer ISO 7089-4-200 HV A4J	10006169
19	6	Washer 4,3 Fe/Zn 12bcA	10006168
20	4	Screw M4x8 8.8 A4J	10005426
21	2	Screw M4x40 8.8 A4J	10005441

7.7

RAILINGS SCXX32

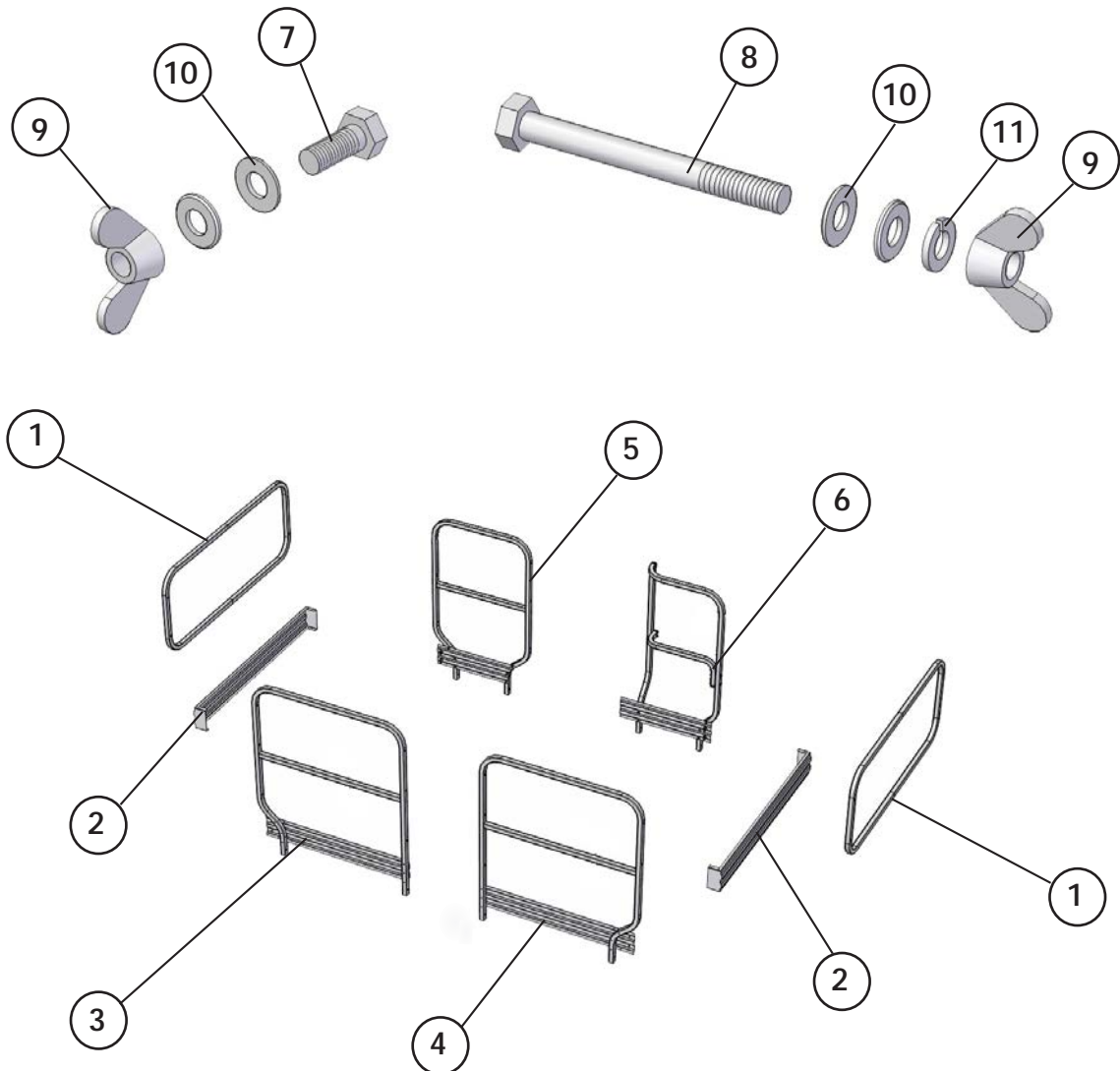
PG114702



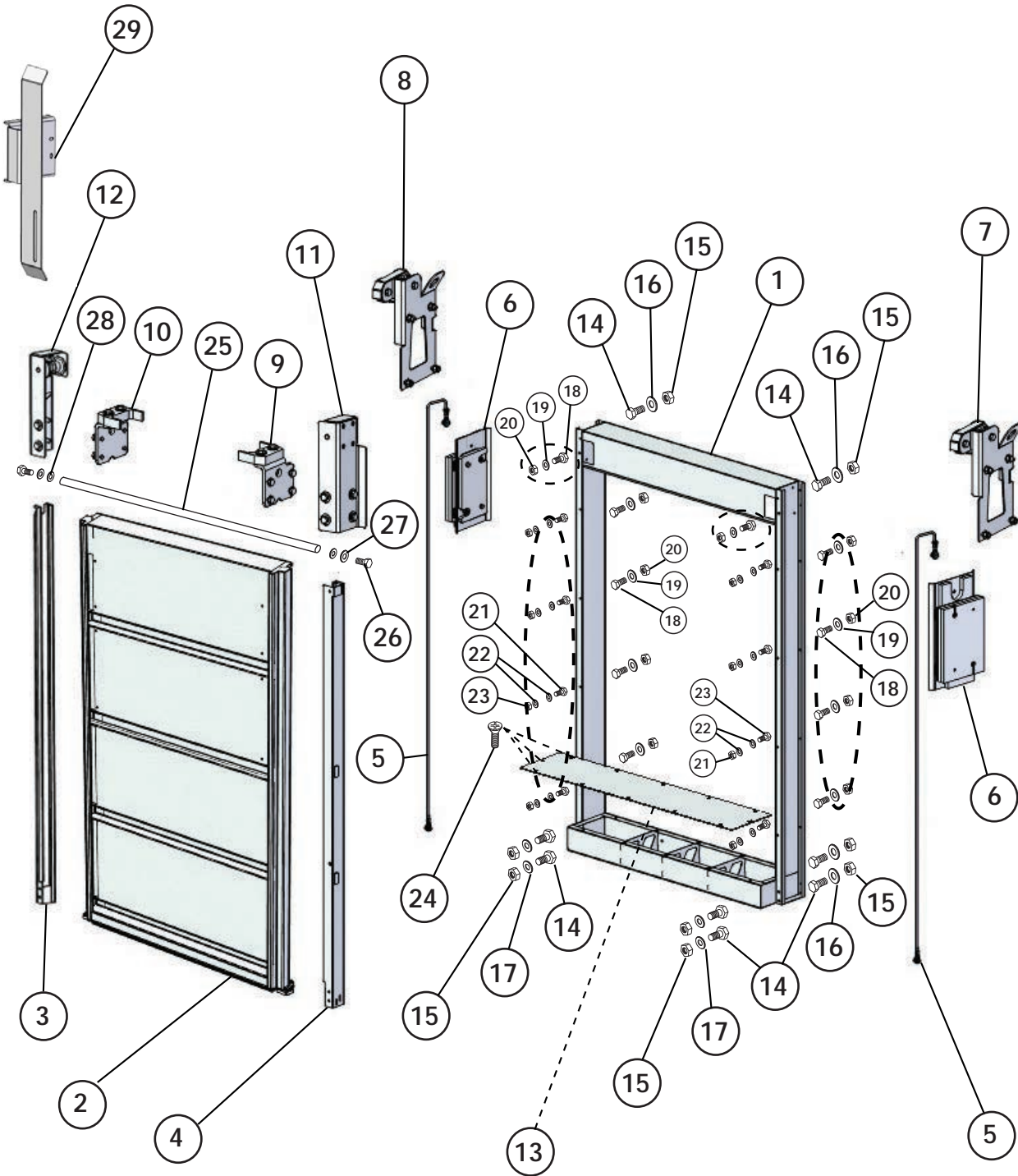
NO	QTY	DESCRIPTION	PART NO.
1	1	Railing short complete	PG114691
2	2	Railing complete	PG114701
3	1	Railing special complete	PG115375
4	2	Railing front complete	PG116364
5	8	Screw M8x80 8.8 A4J	10005622
6	16	Wing nut M8 A2	10006304
7	24	Washer 8,4 A4	10006179
8	16	Spring washer Z 8,2 A2	10006237
9	1	Railing complete	PG116715
10	2	Apron	PG117412
11	8	Screw M8x25 A2-70	10005557

7.8

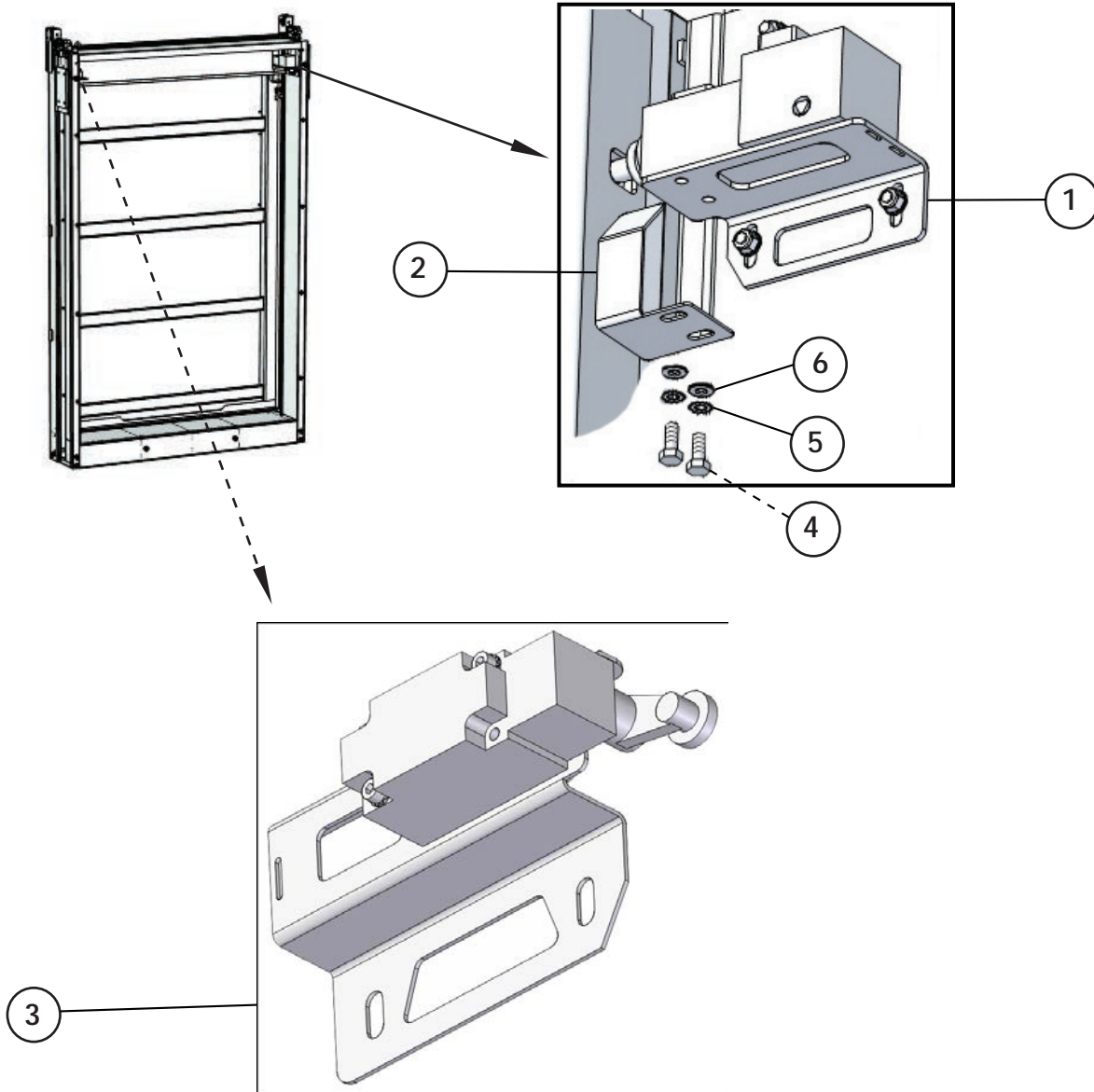
RAILINGS SCXX24 PG122539



NO	QTY	DESCRIPTION	PART NO.
1	2	Railing front complete	PG116364
2	2	Apron	PG117412
3	1	Railing complete I	PG118019
4	1	Railing complete II	PG118021
5	1	Railing complete III	PG118037
6	1	Railing special complete	PG122518
7	8	Screw M8x20 8.8 A7L	10007783
8	10	Screw M8x80 8.8 A4J	10005622
9	18	Wing nut M8 A2	10006303
10	36	Washer ISO 7089-8-200 HV	10006178
11	8	Spring washer Z 8,2	10006236



NO	QTY	DESCRIPTION	PART NO.
1	1	Door frame	PG114578
2	1	Cage door complete	PG114734
3	1	Fence of cage door - left	PG114682
4	1	Fence of cage door - right	PG114679
5	2	Door wire complete	PG127612
6	2	Counterweight	PG114589
7	1	Wire wheel assembly II	PG127971
8	1	Wire wheel assembly I	PG126104
9	1	Top console assembly II	PG116688
10	1	Top console assembly I	PG116686
11	1	Console of door II complete	PG128000
12	1	Console of door I complete	PG127997
13	1	Doorstep cover	PG114590
14	12	Screw M12x25 8.8 A4J	10005728
15	12	Nut M12 8B A4J	10006291
16	4	Washer 13 A4	10006198
17	10	Washer 13 HV	10006199
18	10	Screw M8x16 .8 A4J	10005542
19	12	Washer 8,4 A4	10006179
20	10	Nut M8 8B A4J	10006281
21	8	Screw M6x16 .8 A4J	10005499
22	16	Washer 6,4 A4	10006176
23	8	Nut M6 8B A4J	10006278
24	12	Tap screw M8x16 8.8 A4J	10007335
25	1	Pipe	PG119256
26	2	Screw M10x30 A4-80	10005658
27	2	Spring washer Z10,2	10006240
28	2	Washer 13	10006198
29	1	Cam on the cage	PG116421

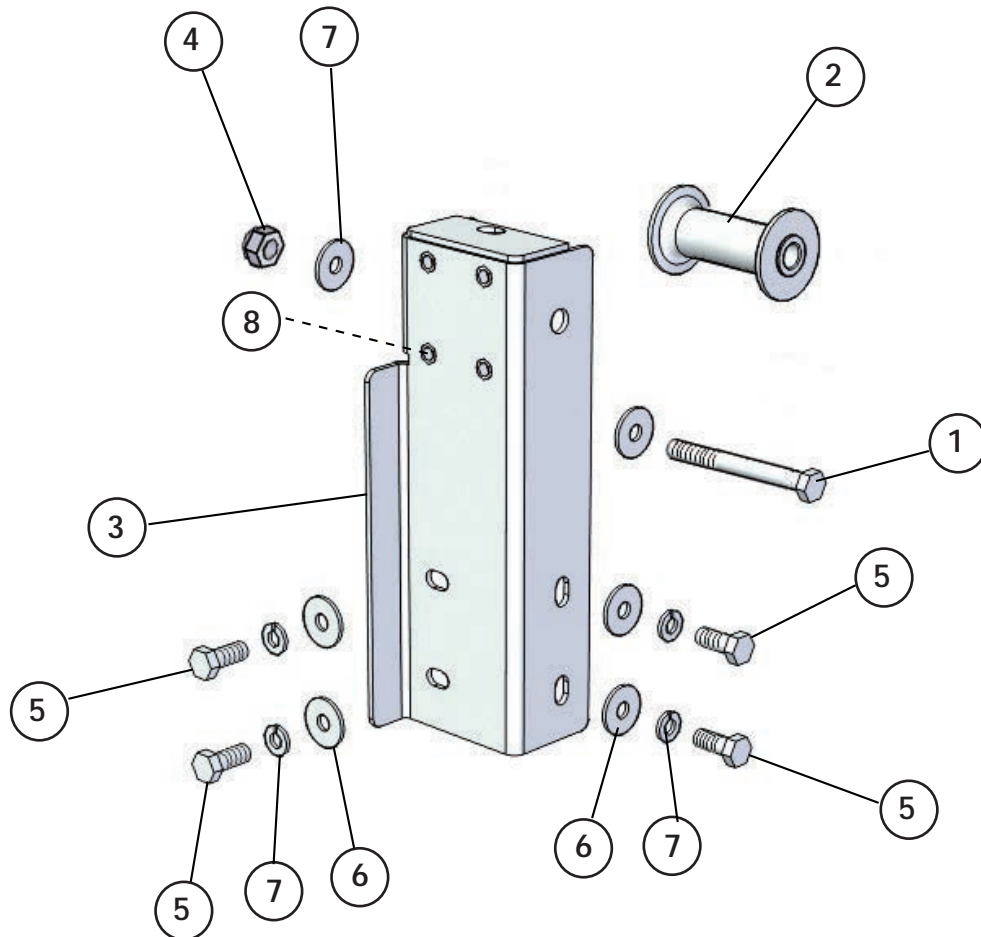


NO	QTY	DESCRIPTION	PART NO.
1	1	Sensor bracket	PG114640
2	1	Cover	PG116697
3	1	Console of door connector compl.	PG128591
4	2	Screw M8x20 A4-70	10005550
5	4	Lock washer with external teeth	10006238
6	12	Washer 8,4 A4	10006179

8.1

DOOR CONSOLE I COMPLETE

PG127997

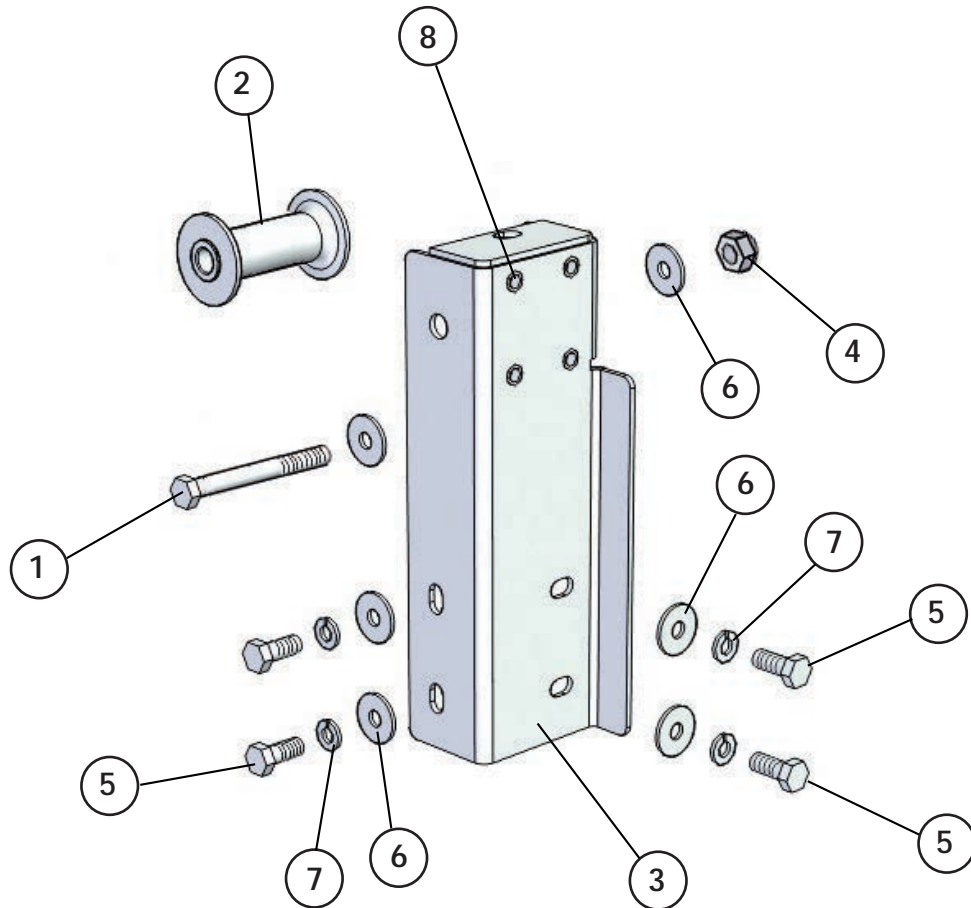


NO	QTY	DESCRIPTION	PART NO.
1	1	Screw M8x90 8.8	10005627
2	1	Roller comp.	PG128006
3	1	Console	PG127995
4	1	Self-locking nut M8-A2-70	10006282
5	4	Screw M8x20 8.8	10007783
6	6	Washer 8-200 HV A4J	10006180
7	4	Spring washer Z 8,2 Fe/Zn12bcA	10006236
8	4	Rivet nut	10007561

8.2

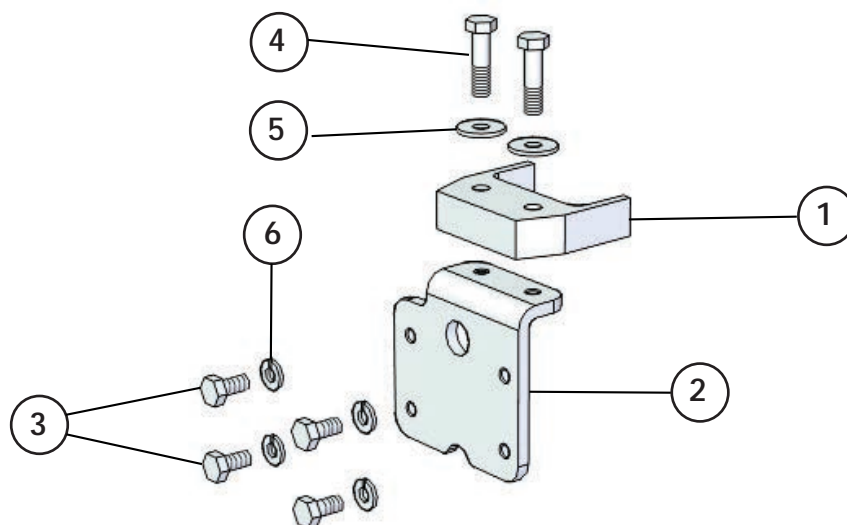
DOOR CONSOLE II COMPLETE

PG128000



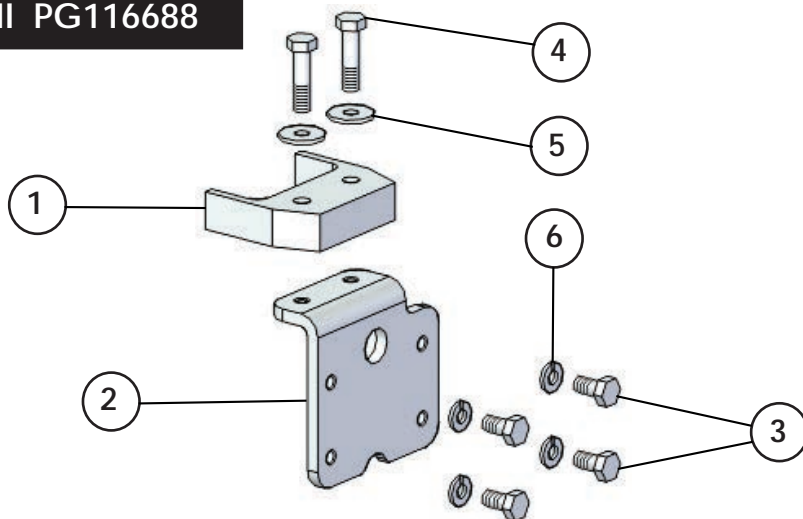
NO	QTY	DESCRIPTION	PART NO.
1	1	Screw M8x90 8.8	10005627
2	1	Roller comp.	PG128006
3	1	Console II	PG127998
4	1	Self-locking nut M8-A2-70	10006282
5	4	Screw M8x20 8.8	10007783
6	6	Washer 8-200 HV A4J	10006180
7	4	Spring washer Z 8,2 Fe/Zn12bcA	10006236
8	4	Rivet nut M6-30	10007561

8.3 TOP CONSOLE ASSEMBLY I PG116686



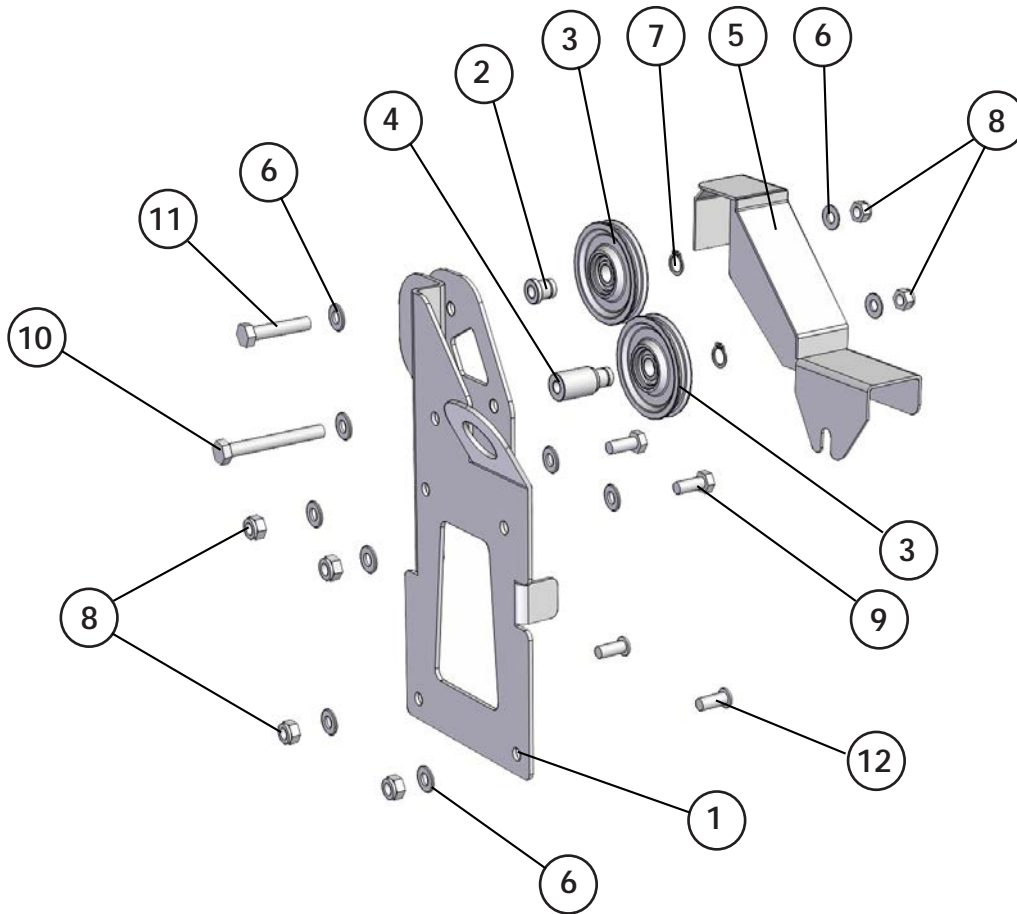
NO	QTY	DESCRIPTION	PART NO.
1	1	Top console	PG116681
2	1	Angle bar fasten	PG116682
3	4	Screw M6x12 8.8 A4J	10005492
4	2	Screw M6x25 8.8 A4J	10005513
5	2	Washer 6-200 HV A4J	10006177
6	4	Spring washer Z 6,1 Fe/Zn12bcA	10006233

TOP CONSOLE ASSEMBLY II PG116688



NO	QTY	DESCRIPTION	PART NO.
1	1	Top console	PG116681
2	1	Angle bar fasten	PG116687
3	4	Screw M6x12 8.8 A4J	10005492
4	2	Screw M6x25 8.8 A4J	10005513
5	2	Washer 6-200 HV A4J	10006177
6	4	Spring washer Z 6,1 Fe/Zn12bcA	10006233

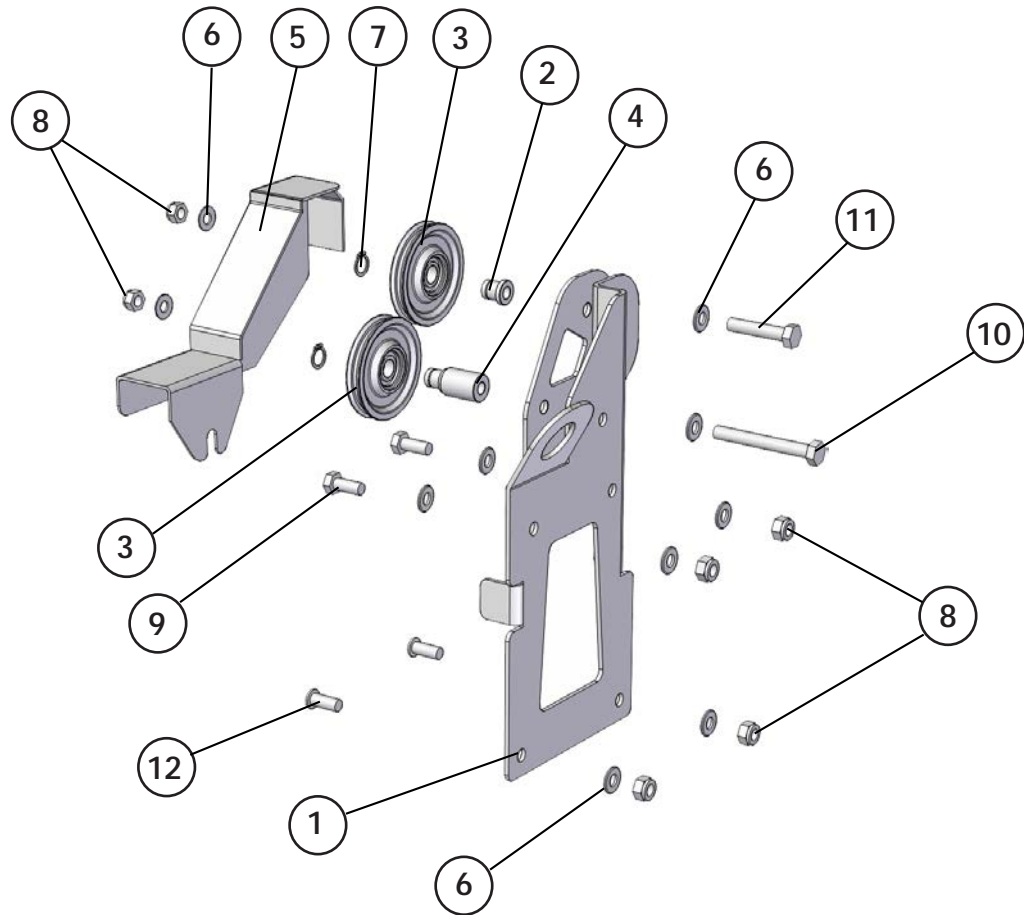
8.4 WIRE WHEEL ASSEMBLY I PG126104



NO	QTY	DESCRIPTION	PART NO.
1	1	Console	PG126098
2	1	Sleeve	PG120375
3	2	Wire wheel comp.	PG126097
4	1	Axle	PG120372
5	1	Cover	PG127962
6	9	Washer ISO 7089-8-200 HV	10006178
7	2	Spring retaining ring Z12	10000886
8	6	Self-locking nut M8-8B A2J	10006281
9	2	Screw M8x20 8.8	10007783
10	1	Screw M8x65 8.8 A4J	10005611
11	1	Screw M8x40 8.8 A4J	10005583
12	2	Screw M8x20 10,9	10007378

8.5

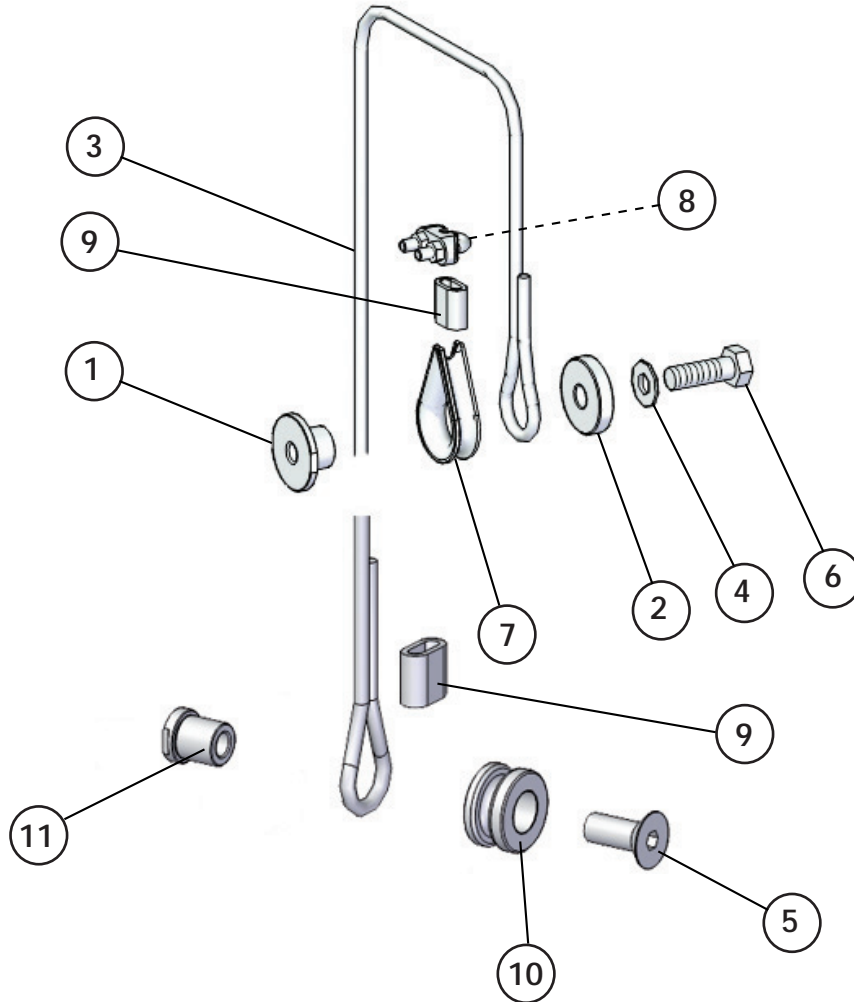
WIRE WHEEL ASSEMBLY II PG127971



NO	QTY	DESCRIPTION	PART NO.
1	1	Console	PG127969
2	1	Sleeve	PG120375
3	2	Wire wheel comp.	PG126097
4	1	Axle	PG120372
5	1	Cover	PG127966
6	9	Washer ISO 7089-8-200 HV	10006178
7	2	Spring retaining ring Z12	10000886
8	6	Self-locking nut M8 8B A4J	10006281
9	2	Screw M8x20 8.8	10007783
10	1	Screw M8x65 8.8 A4J	10005611
11	1	Screw M8x40 8.8 A4J	10005583
12	2	Screw M8x20 10.9	10007378

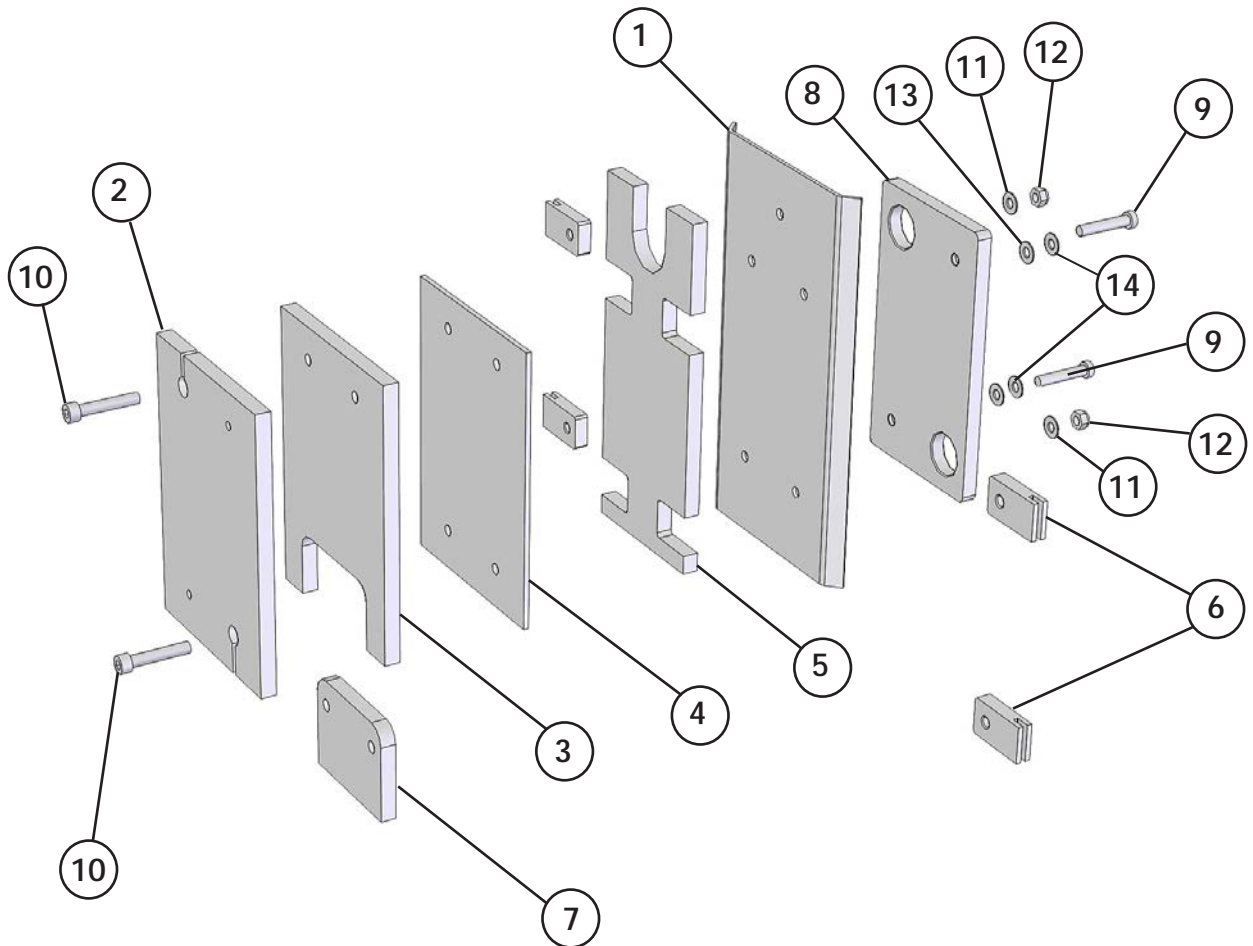
8.6

DOOR LINE COMPLETE PG127612



NO	QTY	DESCRIPTION	PART NO.
1	1	Sleeve	PG114730
2	1	Distance sleeve	PG114729
3	1	Wire wheel	PG126107
4	2	Washer 8,4 Fe/Zn12bcA	10006178
5	1	Screw M8x20 8.8 A4J	10005555
6	1	Screw M8x25 8.8 A4J	10005556
7	1	Rope thimble A6 OC	10000715
8	1	Wire clamp 5 OC	10000690
9	2	Wire clamp Ø4	10005270
10	1	Sleeve	PG128010
11	1	Sleeve	PG128012

8.7 COUNTERWEIGHT PG114589



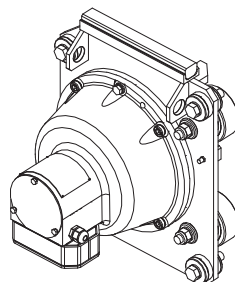
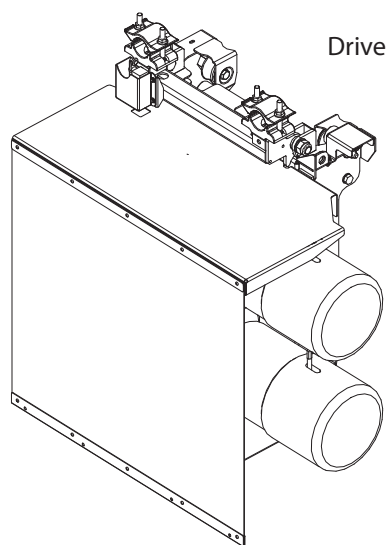
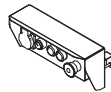
NO	QTY	DESCRIPTION	PART NO.
1	1	Cover	PG114579
2	1	Sheet metal I	PG114580
3	1	Sheet metal II	PG114581
4	1	Counterweight sling	PG114583
5	1	Sheet metal III	PG114585
6	4	Slipper	PG114586
7	1	Rubber buffer	PG114587
8	1	Sheet metal	PG116472
9	2	Screw M8x60 8.8 A4J	10005607
10	2	Screw M8x50 8.8 A4J	10005598
11	2	Self-locking nut M8 8 A4J	10006281
12	2	Washer 7089-8-200 HV A4J	10006178
13	2	Washer	PG124915
14	2	Spring washer 8,4	10006238

9A DRIVE UNIT

ver. DOL, PLC 50Hz (SC14xxL) - PG116531

ver. DOL, RELAY CONTROL (SC14xx) - PG116533

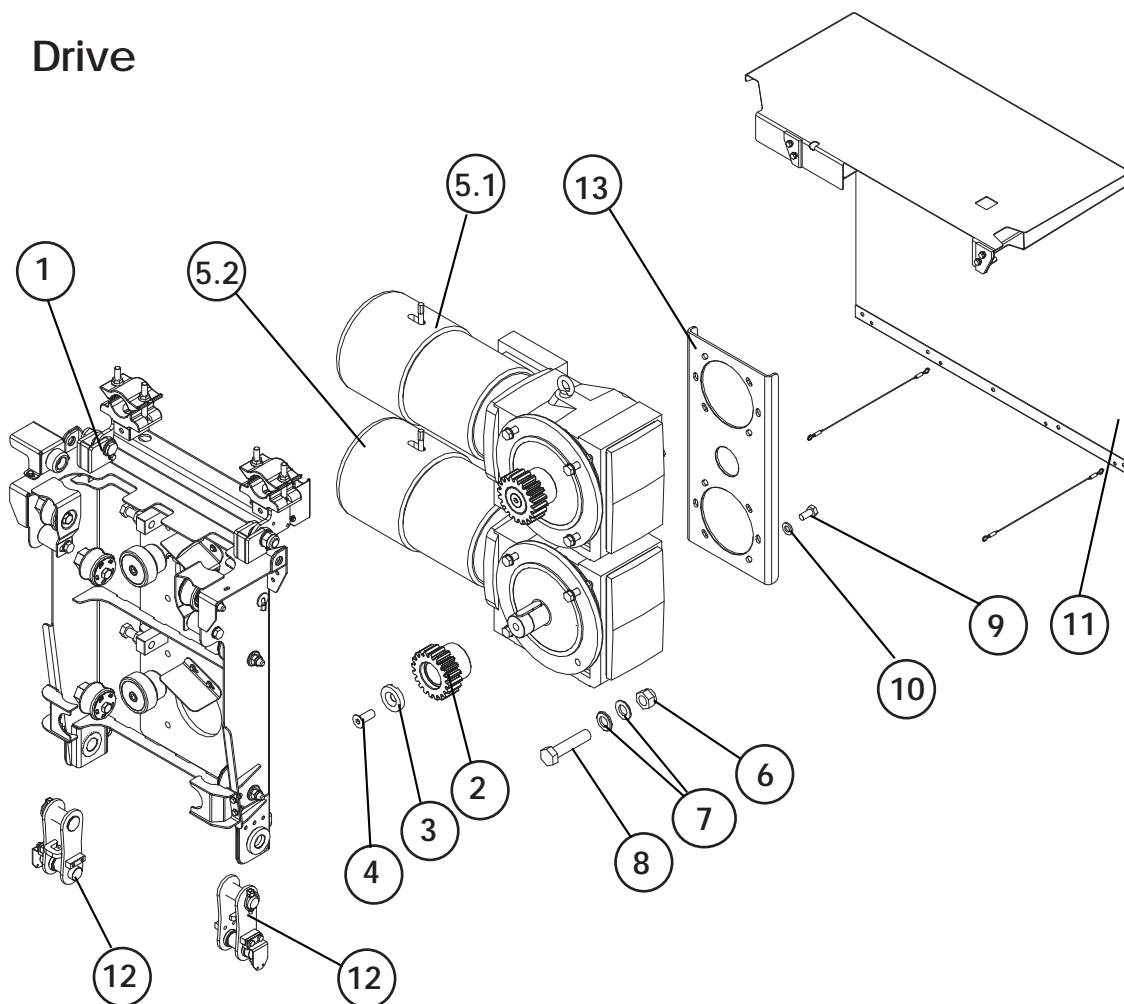
Roof box +OP5
PG116713



Safety device assembly PG116212
see 9.2

Electrical instalation ver. DOL, PLC 50Hz (SC14xxL) - 3000242
Electrical instalation ver. DOL, RELAY CONTROL (SC14xx) - 3000244

Drive

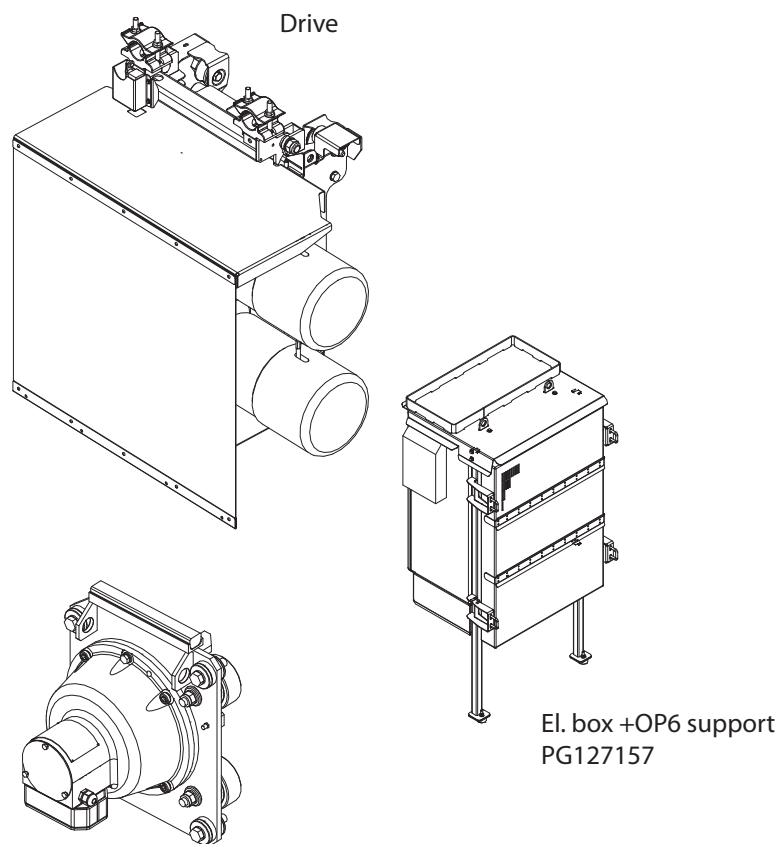


NO	QTY	DESCRIPTION	PART NO.
1	1	Drive plate	PG116063
2	2	Pin Z=20 m=6	PG114282
3	2	Disk	PG101285
4	2	Screw M20x45 10.9 PN-EN ISO 10642	10009616
5		Ver. DOL, PLC 50Hz	
5.1	1	Mot. gear SK9042.1VF-132/40 BRE15O-C HL-Z	10007962
5.2	1	Mot. gear SK9042.1VF-132/40 BRE15O-C HL-Z	10007963
5		Ver. DOL, RELAY CONTROL	
	2	Mot. gear SK9042.1VF-132M/40 BRE15OHL-Z	10007692
6	16	Washer ISO 7089-16-200 HV	10009729
7	8	Screw M16x70 10.9	10010035
8	8	Self locking nut M16-8	10008802
9	12	Screw M12x30 8.8 PN-EN ISO 4017	10008776
10	12	Washer 13HV	10006199
11	1	Drive cover	PG124820
12	2	Overload system	PG114778
13	1	Stiffener plate	PG118772
14	1	Transport frame	PG119226

9B

DRIVE UNIT

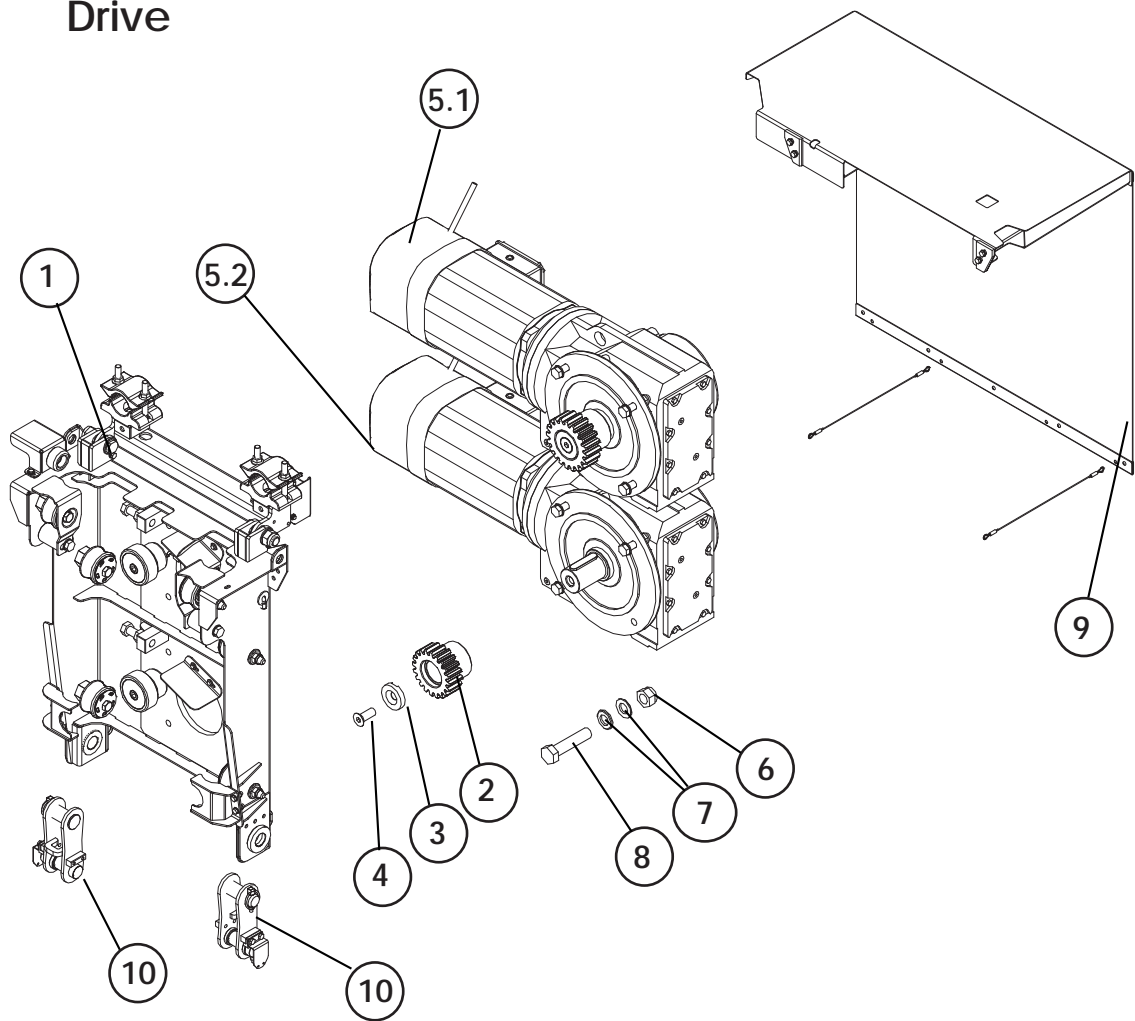
ver. FC, RELAY CONTROL 87Hz (SC14xxF) - PG127025
ver. FC, PLC 87Hz (SC14xxFL) - PG166644



Safety device assembly PG116212
see 9.2

Electrical instalation ver. FC, RELAY CONTROL 87Hz (SC14xxF) - 3000243
Electrical instalation ver. FC, PLC 87Hz (SC14xxFL) - 3000234

Drive



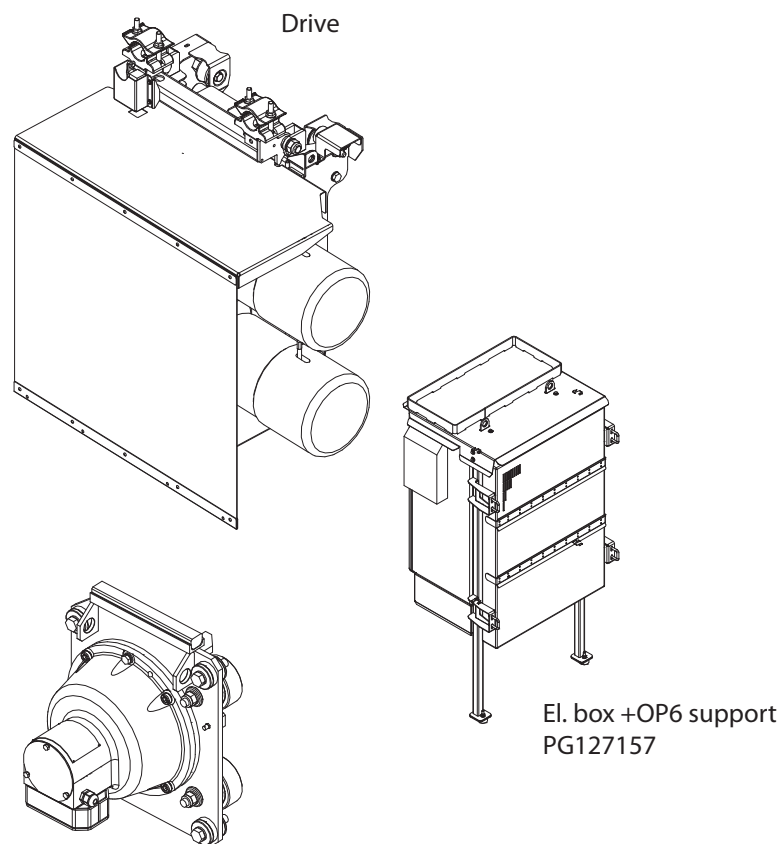
NO	QTY	DESCRIPTION	PART NO.
1	1	Drive plate	PG116063
2	2	Pin Z=20 m=6	PG114282
3	2	Disk	PG101285
4	2	Screw M20x45 10.9 PN-EN ISO 10642	10009616
5.1	1	Mot. gear KAF87DRS132M4BE11HR/ES7R	10008632
5.2	1	Mot. gear KAF87DRS132M4BE11HR/EI76	10008633
6	16	Washer ISO 7089-16-200 HV	10009729
7	8	Screw M16x70 10.9	10010035
8	8	Self locking nut M16-8	10008802
9	1	Drive cover	PG128651
10	2	Overload system	PG114778
11	1	Transport frame	PG119226

9C

DRIVE UNIT

ver. FC, RELAY CONTROL 87Hz (SC20xxF-48) - PG128336

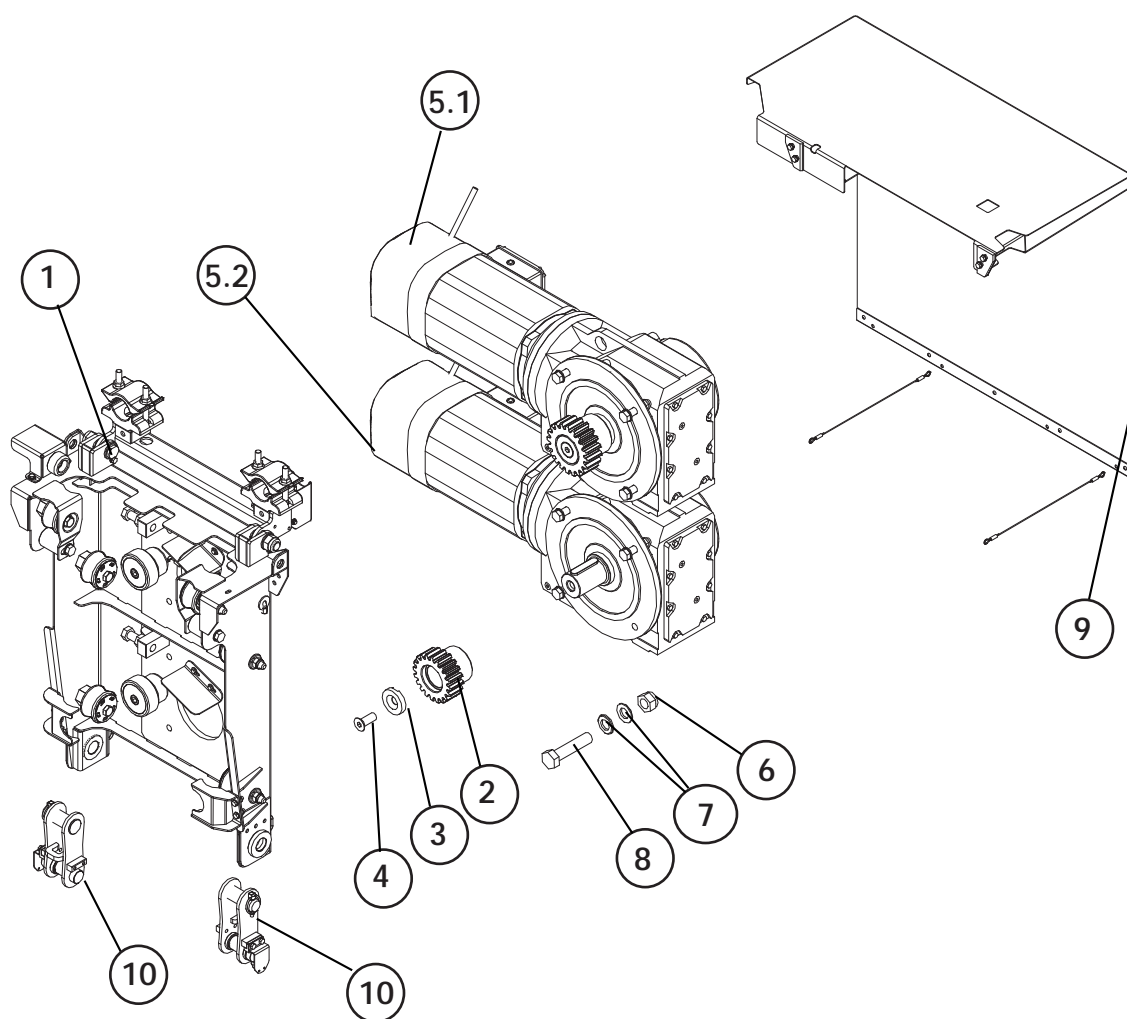
ver. FC, PLC 87Hz (SC20xxFL-48) - PG166646



Safety device assembly SC2032-48
PG114814 see 9.3

Electrical instalation ver. FC, RELAY CONTROL 87Hz (SC20xxF-48) - 3000339

Electrical instalation ver. FC, PLC 87Hz (SC20xxFL-48) - 3000375

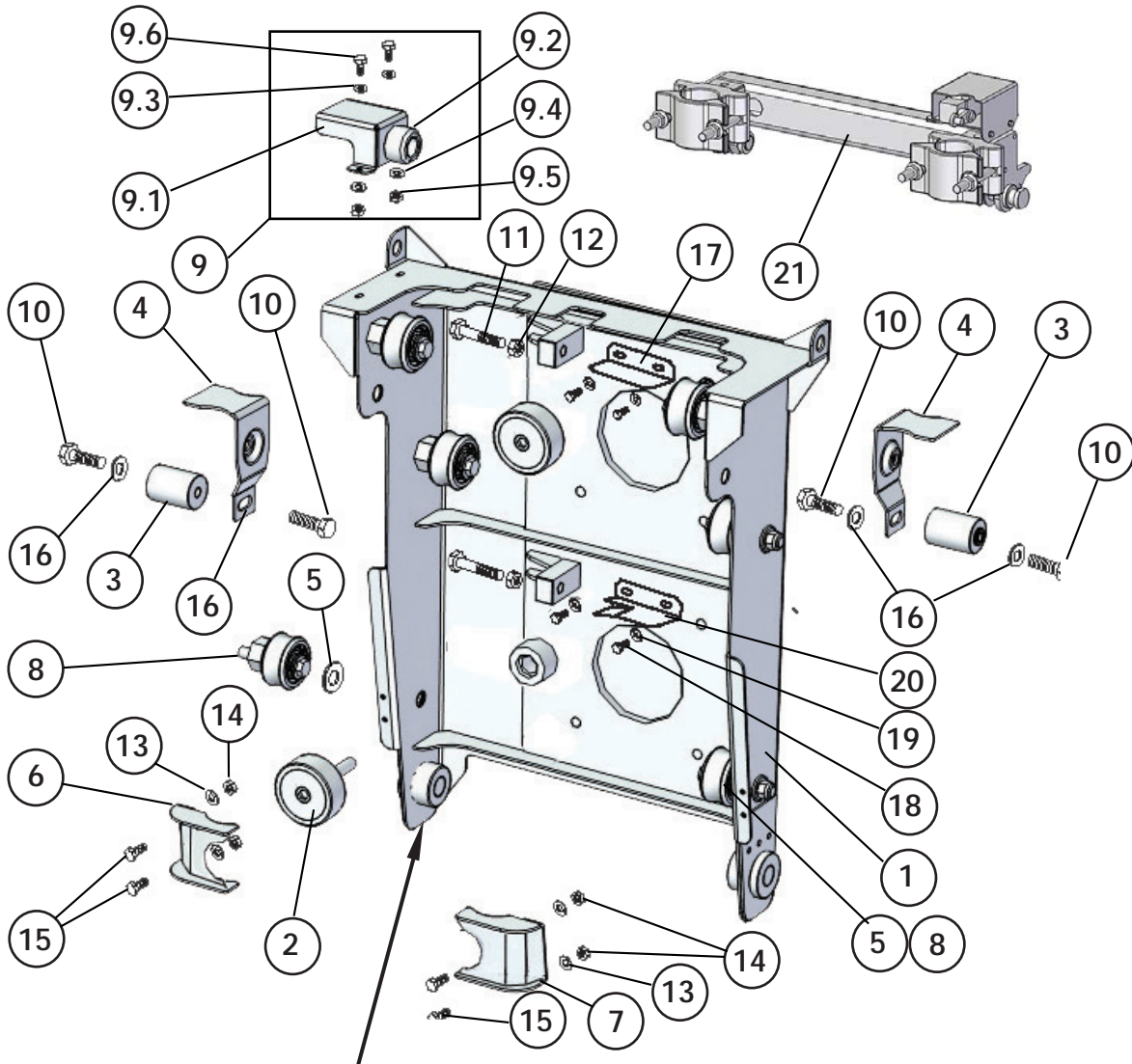


NO	QTY	DESCRIPTION	PART NO.
1	1	Drive plate	PG116063
2	2	Pin Z=20 m=6	PG114282
3	2	Disk	PG101285
4	2	Screw M20x45 10.9 PN-EN ISO 10642	10009616
5.1	1	Mot. gear KAF87DRS132MC4BE11HR/ES7R	10008805
5.2	1	Mot. gear KAF87DRS132MC4BE11HR/EI76	10008804
6	16	Washer ISO 7089-16-200 HV	10009729
7	8	Screw M16x70 10.9	10010035
8	8	Self locking nut M16-8	10008802
9	1	Drive cover	PG128651
10	2	Overload system	PG114778
11	1	Transport frame	PG119226

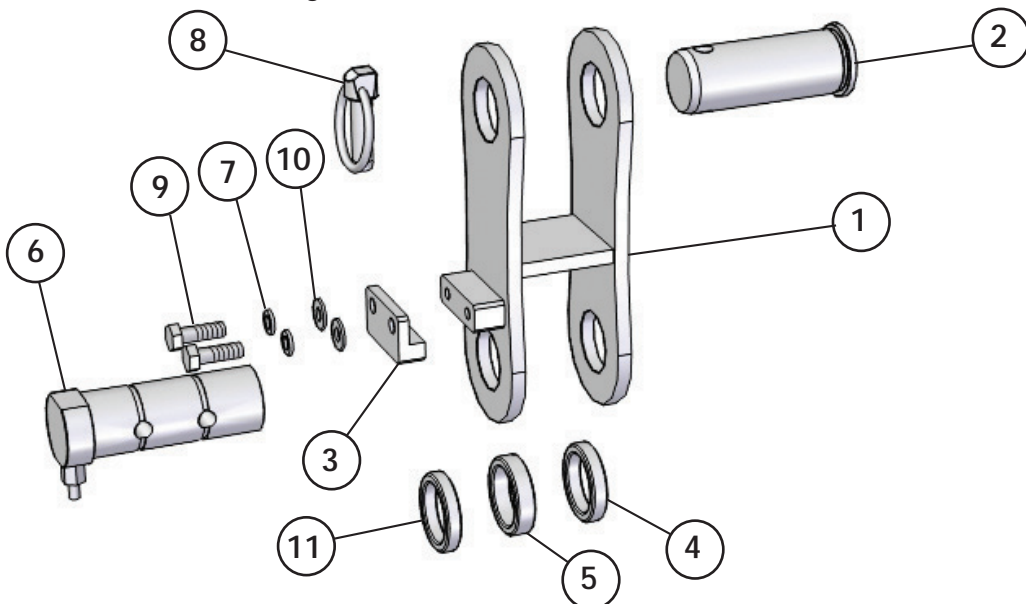
9.1

DRIVE PLATE

PG116063



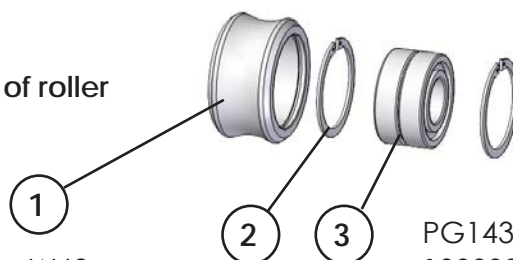
Overload system PG114778



9.1

NO	QTY	DESCRIPTION	PART NO.
1	1	Drive plate	PG116048
2	2	Support wheel assembly	PG124905
3	2	Pin	PG114412
4	2	Roller cover	PG114413
5	4	Washer	PG114829
6	1	Buffer	PG117248
7	1	Buffer	PG117247
8	6	Roller complete	PG114827
9	1	Sensor console	PG115438
9.1	1	Sensor cover	PG115470
9.2	1	Cover plate	PG104208
9.3	2	Washer ISO 7089-8-200 HV-A4	10006179
9.4	2	Washer ISO 7093-1-8-200 HV-A4	10006181
9.5	2	Self locking nut M8-A2-70	10006282
9.6	2	Screw M8x25 A2-70	10005557
10	4	Screw M16x30 8.8 A4J	10005793
11	2	Screw M20x80 8.8 A4J	10005884
12	2	Nut M20 8	10006383
13	8	Washer 8,4 Fe/Zn12bcA	10006178
14	4	Nut M8 8B A4J	10006281
15	4	Screw M8x25 8.8 A4J	10005556
16	4	Washer 17 Fe/Zn12bcA	10006202
17	1	Cover	PG117244
18	4	Screw M6x16 8.8 A4J	10005499
19	4	Washer 6,4 A4 A4J	10006176
20	1	Cover II	PG117718
21	1	Safety clamp	PG120059
Overload system			PG114778
1	1	Connector	PG118573
2	1	Pin	PG114786
3	1	Sheet metal	PG114857
4	1	Ring I	PG114852
5	1	Ring II	PG114853
6	1	Sensor TPE/2000 - BPE 6m	10007174
7	2	Spring washer Z 8,2 Fe/Zn12bcA	10006236
8	1	Stopper	10006537
9	2	Screw M8x25 8.8 A4J	10005556
10	2	Washer 8,4 Fe/Zn12bcA	10006178
11	1	Ring III	PG114855

Special set PG145397 of roller

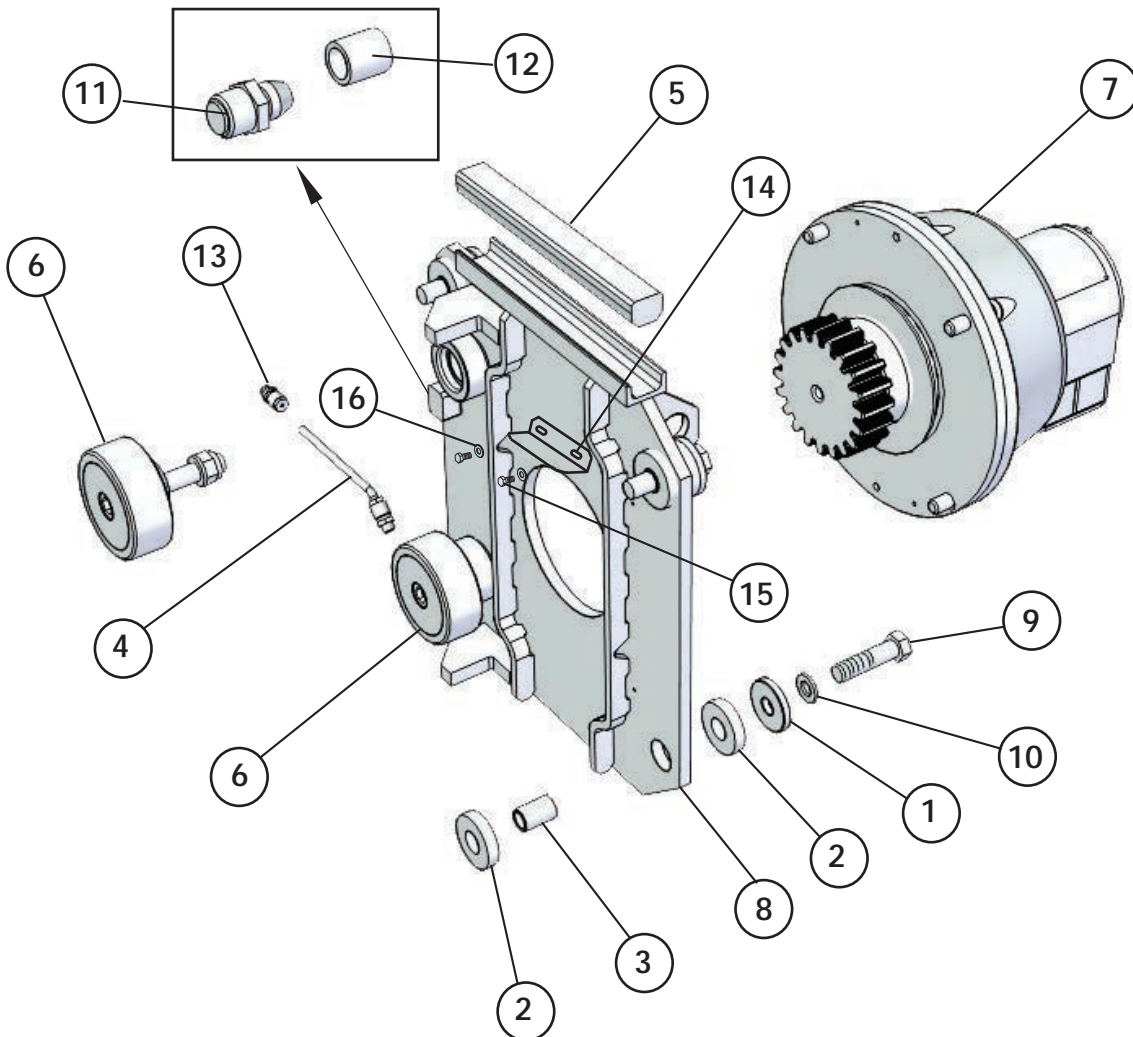


1	1	Roller	PG143257
2	2	Spring retaining ring W62	10000912
3	1	Ball bearing 6206 2RS	10000106

9.2

SAFETY DEVICE ASSEMBLY

PG116212

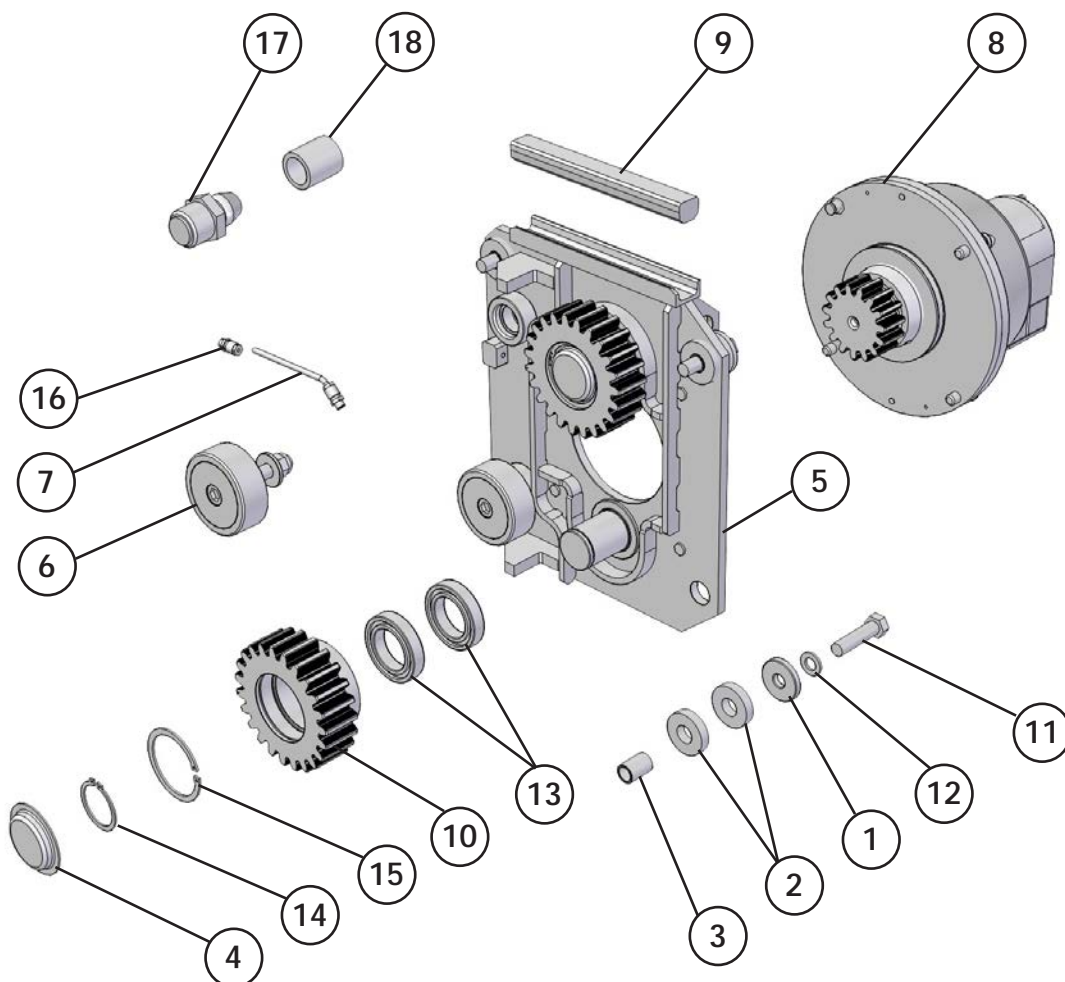


NO	QTY	DESCRIPTION	PART NO.
1	4	Washer	PG100624
2	8	Rubber washer	PG100625
3	4	Distance sleeve	PG100645
4	1	Lubrication cable	PG114707
5	1	Rubber band	PG114646
6	2	Support wheel assembly	PG114706
7	1	Safety device UC 3.0	PG116155
8	1	Plate UC	PG116206
9	4	Screw M16x65 8.8	10007791
10	4	Washer 17 HV	10006203
11	1	Lubrication M8x1 Fe/Zn 5c	10000726
12	1	Lubrication cover	10000729
13	1	Simple connector GEK 6x1	10000459
14	1	Cover	PG117250
15	2	Screw M6x16 8.8 A4J	10005499
16	2	Washer 6,4 A4 A4J	10006176

9.3

SAFETY DEVICE ASSEMBLY SC2032-48

PG114814

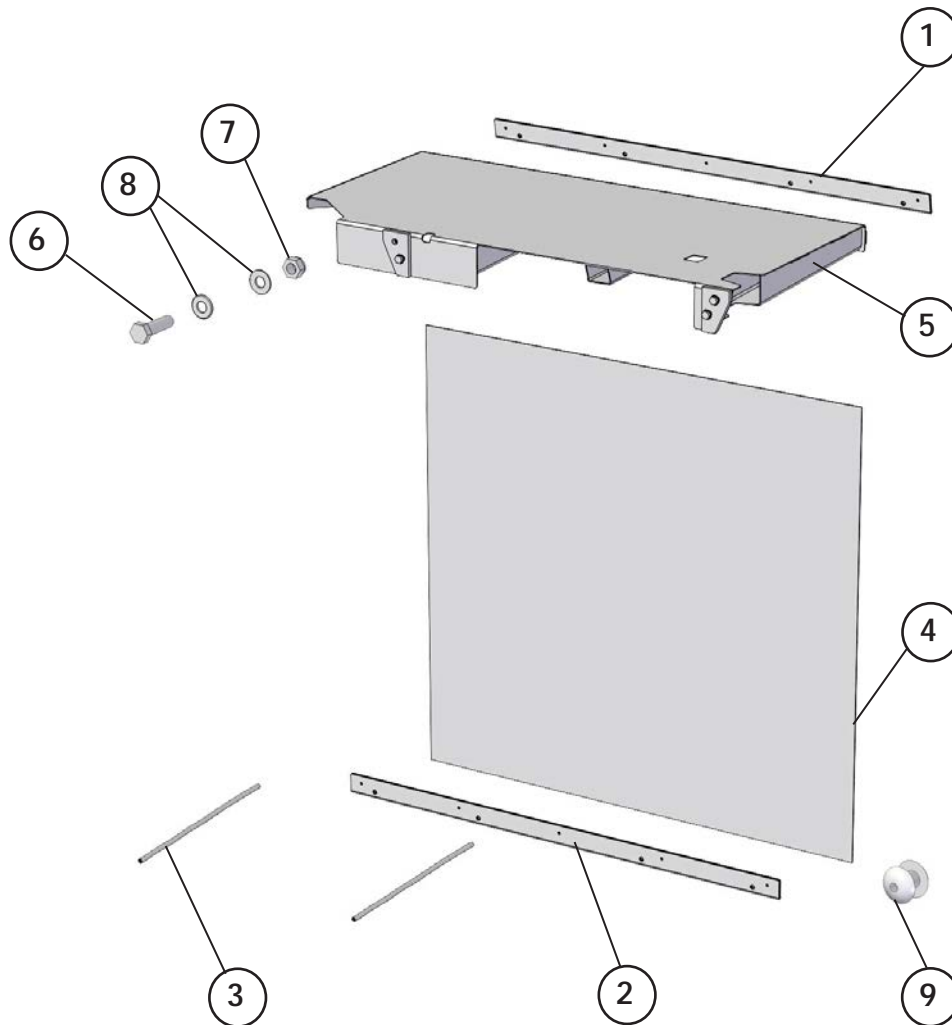


NO	QTY	DESCRIPTION	PART NO.
1	4	Washer	PG100624
2	8	Rubber washer	PG100625
3	4	Distance sleeve	PG100645
4	2	Cover	PG100809
5	1	Plate UC	PG124622
6	2	Support wheel assembly	PG114706
7	1	Lubrication cable	PG114707
8	1	Safety device UC 3.0	PG114642
9	1	Rubber band	PG114646
10	2	Gear wheel	PG114655
11	4	Screw M16x65 8.8	10005820
12	4	Washer 17 HV	10006203
13	4	Ball bearing 6010 RS	10000097
14	2	Retaining ring Z50	10000906
15	2	Retaining ring W80x2,5	10000919
16	1	Nipple GEK 6510-6-M 6X1 S01	10000459
17	1	Lubrication M8x1 ST	10000726
18	1	Lubrication cover	51165010

9.4

DRIVE COVER

PG124820, PG128651

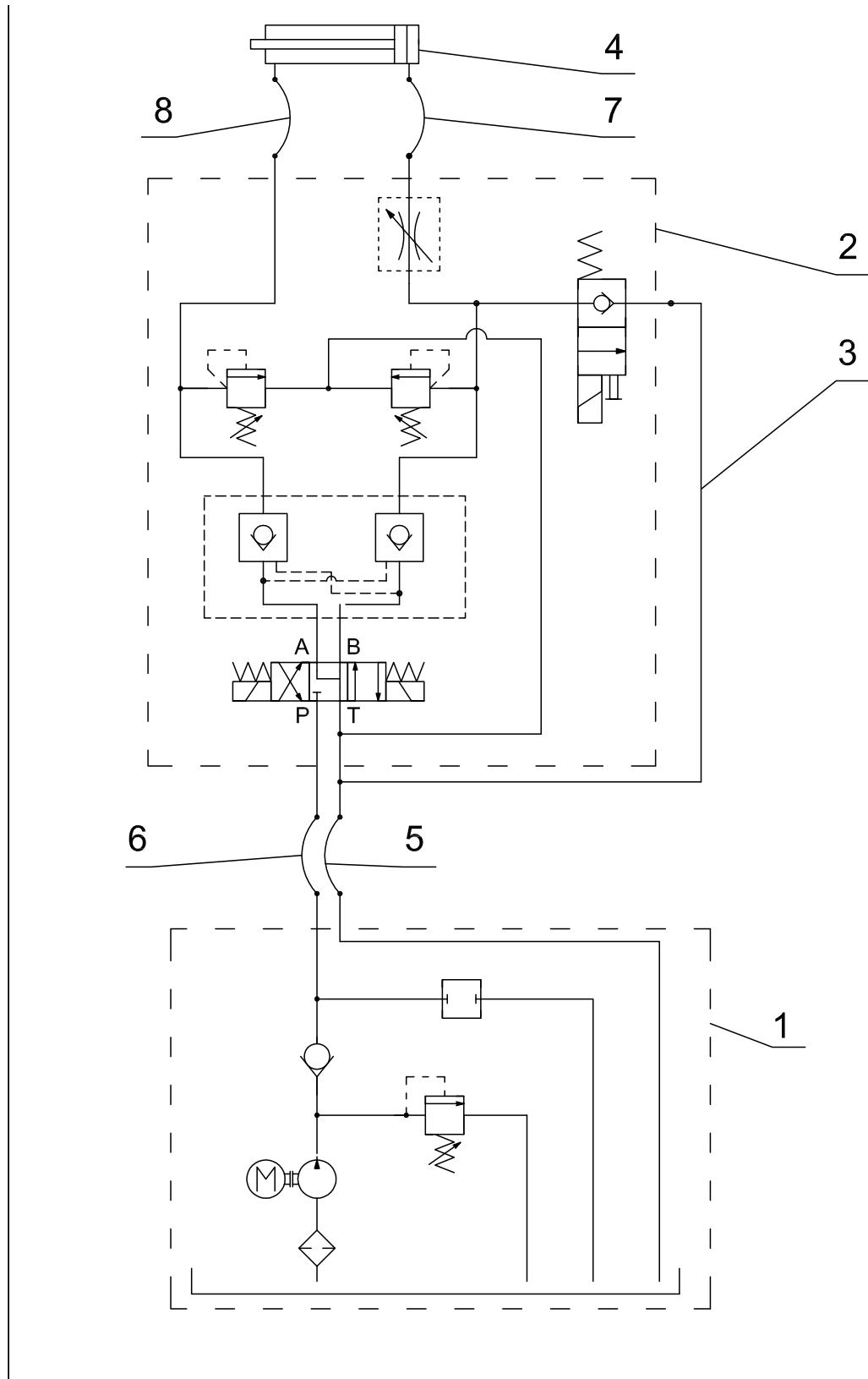


NO	QTY	DESCRIPTION	PART NO.
1	1	Plate	PG124818
2	1	Plate	PG124817
3	2	Rope	PG124989
4	1	Curtain	PG124819
5	1	Drive cover for PG124820	PG125005
		for PG128651	PG128652
6	4	Screw M8x35 8.8 A4J	10005576
7	4	Self-locking nut M8 A2-70	10006282
8	8	Washer ISO 7089-8-200 HV-A4	10006179
9	10	Tubular rivet 5x10 AL/FE	10006505

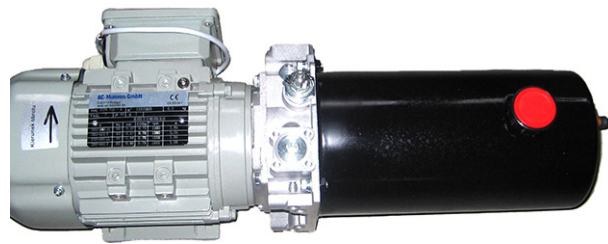
10

HYDRAULIC RAMP - diagram

Part 3

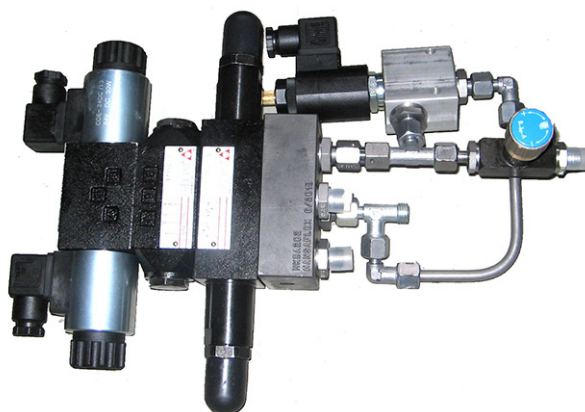


Hydraulic ramp - diagram			Ver. 08.04.13
No.	Qty.	Part no.	Description
1	1	10010355	Hydraulic pump & electric motor
2	1	10010356	Hydraulic distributor
3	1	10007752	Back-pressure valve 2/2
4	1	10007753	Hydraulic actuator HK LK 25/16X175-293
5	1	10007749	Hydraulic hose PHD106X570 AOL AOL 45
6	1	10007748	Hydraulic hose PHD106X610 AOL AOL 45
7	1	10007750	Hydraulic hose PHD 106 X700 AOL
8	1	10007751	Hydraulic hose PHD106X700 AOL AOL90
9	1	10007756	Hydraulic hoses cover SSK 09 – 2 m



Hydraulic pump & electric motor 10010355

Hydraulic unit : Hydraulic pump & electric motor components 10010355			Ver. 26.03.13
No	Qty	Code	Description
1	1	HKK403	Electric motor 400V; 0,37 kW
2	1	HKK13	Hydraulic pump 2,2 cm ³ /rev
3	1	HKKF68	Clutch
4	1	HKKA7A8	Central flange
5	1	HKKTC	Plug
6	1	HKKS02	Oil tank 2,5 l
7	1	HKKAS006	Oil tank equipment
8	2	X VR NW06HLED	Connection
9	1	NKP6401/1	Oil lever indicator



Hydraulic distributor 10010356

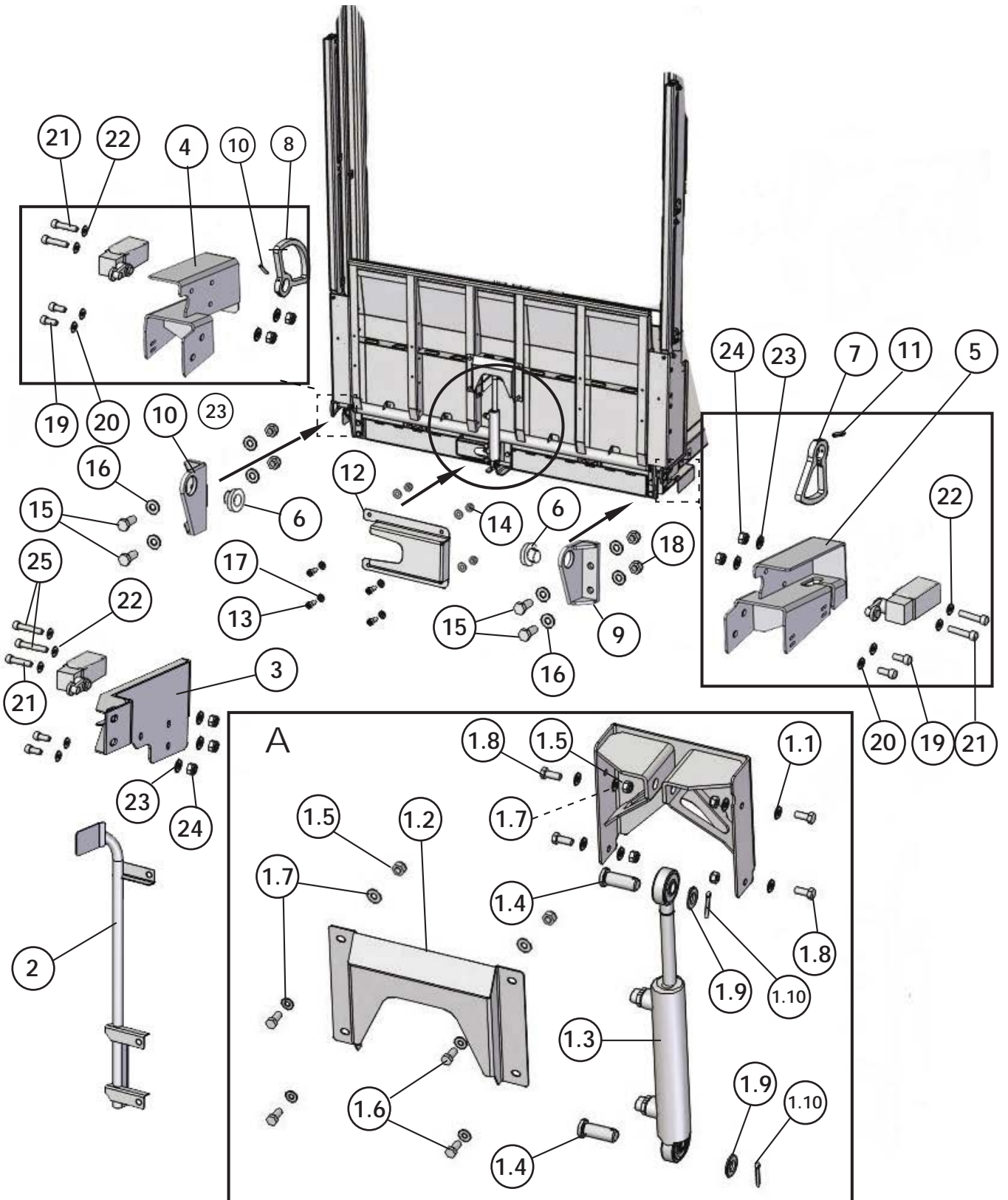
Hydraulic unit : Hydraulic distributor 10010356			Ver. 26.03.13
No	Qty	Code	Description
1	1	HK BA 202	Conection block
2	1	HK DHE 0713X00	Control valve
3	2	HK SP CAE 24 DC	Solenoid valve
4	3	HKSP666	Plug
5	1	HKM5 110	Screw
6	1	HK HMP 012 350	Flow control valve A and B
7	1	HK EVH 06 EC3	2/2-way seated solenoid valves
8	1	HK 00613	Cartridge valve body
9	1	HK V2572-1/4	Throttle valve
10	1	HK C 24 VDC	Solenoid valve cartridge
11	1	AVR NW06 LED	Connection
12	2	XVEW NW 06 HL	Angle joint
13	1	X VR NW06HLED	Connection
14	6	X VR NW06HL3/8ED	Connection
15	1	DMO NW 06HL	Connection
16	1	X VEL NW 06 HL	T-connection
17	1	X VET NW 06 HL	T-connection
18	1	HK HR 012	Hydraulic lock

10

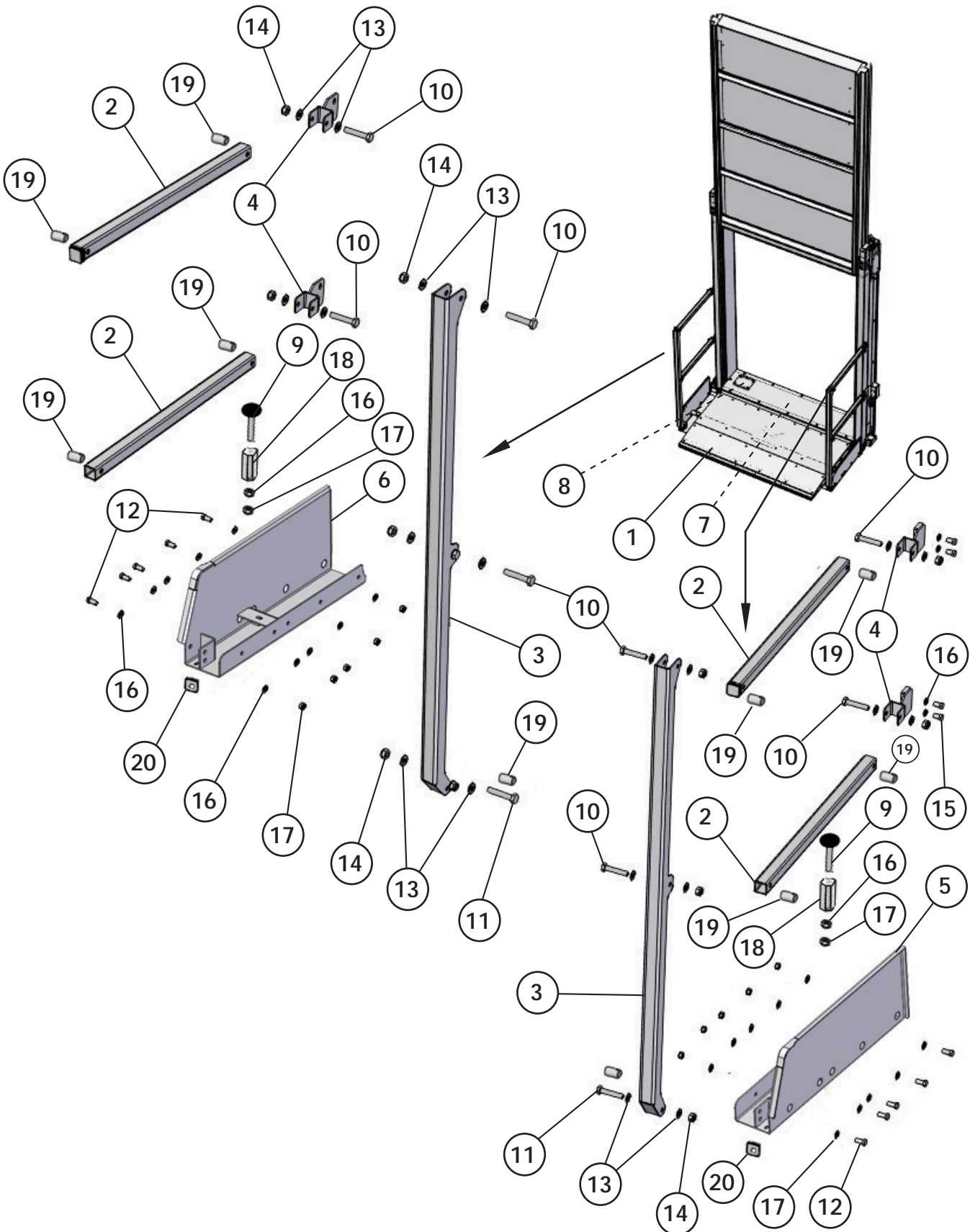
HYDRAULIC RAMP

PG114834

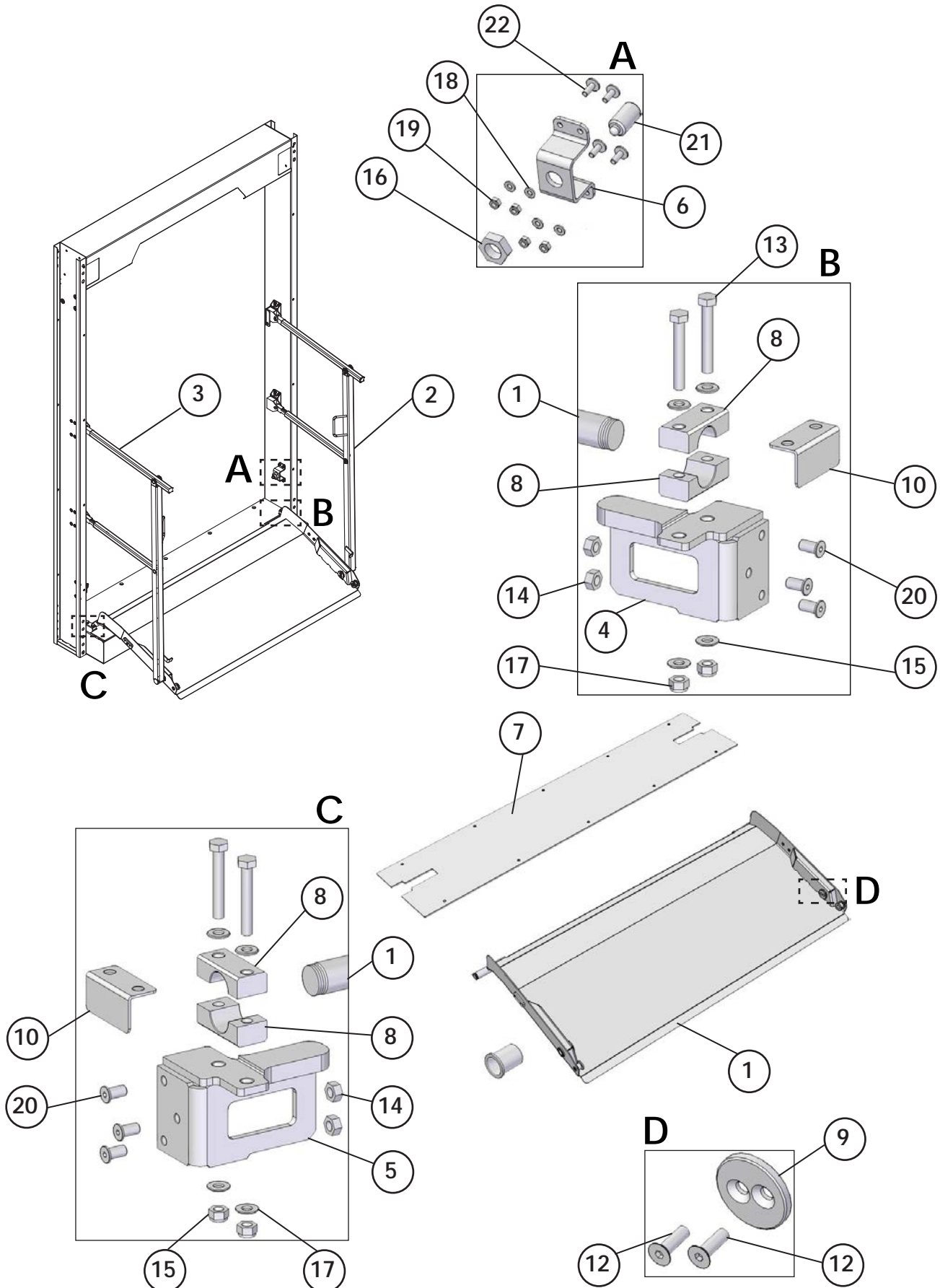
Part 1



NO	QTY	DESCRIPTION	PART NO.
1	1	Hydraulic equipment	
1.1	1	Console of hydraulic actuator I	PG114361
1.2	1	Cover	PG114364
1.3	1	Hydraulic actuator	10007753
1.4	2	Pin	PG114943
1.5	8	Self-locking nut M8-8 A2J	10006281
1.6	4	Screw M8x20 8.8	10007783
1.7	8	Washer ISO 7089-8-200 HV A4J	10006178
1.8	4	Screw M8x16 8.8 A4J	10005542
1.9	2	Washer ISO 7089-16-200 HV A4J	10006202
1.10	2	Safety pin	10006519
2	1	Cable holder	PG128673
3	1	Console of limit switch	PG128693
4	1	Console of limit switch	PG128668
5	1	Console of limit switch	PG128667
6	2	Sleeve	PG114298
7	1	Cam	PG114970
8	1	Cam 2	PG116831
9	1	Grip - left	PG127098
10	1	Grip - right	PG127101
11	2	Slotted spring-type straight pin 4x30	10006425
12	1	Cover	PG115119
13	4	Screw M6x16 8.8 A4J	10005499
14	4	Self-locking nut M6-8 A2J	10006278
15	4	Screw M12x30 8.8	10007786
16	4	Washer 13 HV	10006199
17	4	Washer ISO 7089-6-200 HV A4J	10006175
18	4	Self-locking nut M12-8 A3J	10006291
19	4	Screw M8x20 8.8 A4J	10005554
20	4	Washer ISO 7089-8-200 HV A4J	10006178
21	5	Screw M5x45 8.8 A4J	10005477
22	7	Washer ISO 7089-8-200 HV A4J	10006173
23	7	Toothed lock with ext. teeth 5,3 Fe/Zn12bcA	10006232
24	7	Self-locking nut M5-A4-70	10006275
25	2	Screw M5x50 8.8 A4J	10008089



NO	QTY	DESCRIPTION	PART NO.
1	1	Ramp	PG114328
2	4	Steel sections	PG130743
3	2	Railing	PG114372
4	4	Grip of railing I	PG114309
5	1	Side cover I	PG133037
6	1	Side cover II	PG133036
7	1	Doorstep cover	PG116908
8	1	Cover	PG116909
9	2	Rubber buffer	PG114261
10	8	Screw M10x55 8.8	10007193
11	2	Screw M10x60 8.8	10007183
12	18	Screw M8x20 8.8	10007354
13	20	Washer ISO 7089-10-200 HV A4J	10006188
14	10	Self-locking nut M10-8 A3J	10006287
15	16	Screw M8x16 A4J	10005542
16	38	Washer ISO 7089-8-200 HV A4J	10006178
17	20	Self-locking nut M8-8 A2J	10006281
18	2	Sleeve	PG119042
19	10	Sleeve	PG130747
20	2	Plate	PG130745

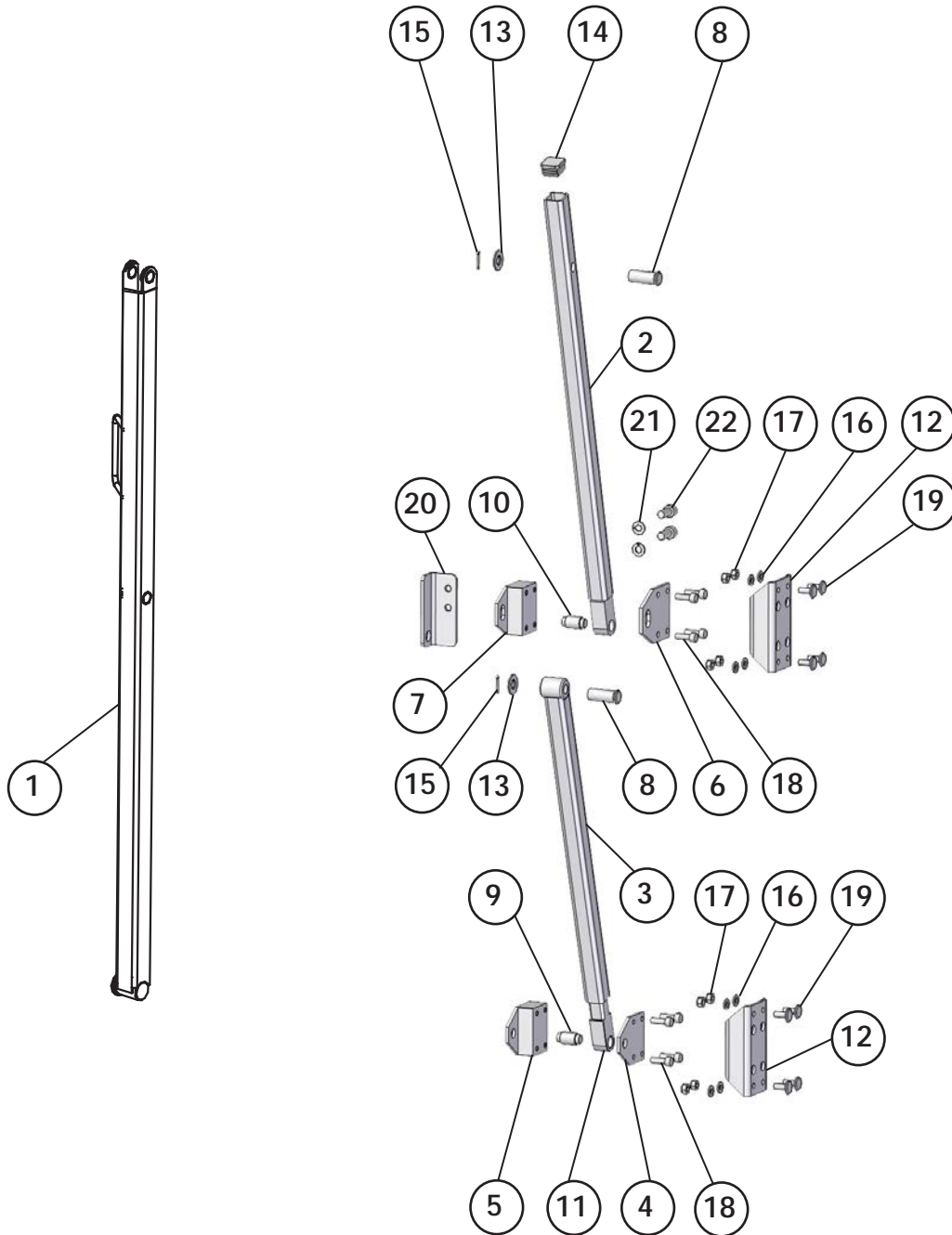


NO	QTY	DESCRIPTION	PART NO.
1	1	Car - Landing bridge	PG124530
2	1	Railing right complete	PG125155
3	1	Railing left complete	PG125153
4	1	Console I	PG123113
5	1	Console II	PG123114
6	2	Holder	PG125567
7	1	Doorstep cover	PG125490
8	4	Holder	PG110629
9	2	Plate	PG124520
10	2	Angle	PG124531
11	2	Sleeve	PG125576
12	4	Screw M6x20 8.8 A4J	10007387
13	4	Screw M8x55 8.8 A4J	10005601
14	4	Nut M8 8 A2J	10006323
15	4	Self-locking nut M8 8 A2J	10006281
16	2	Nut M20-04 A9J	10006380
17	8	Washer ISO 7089-8-200 HV A4J	10006178
18	8	Washer ISO 7089-6-200 HV A4J	10006175
19	8	Self-locking nut M6-5 A2J	10006277
20	6	Screw M8x16 A4-70	10005544
21	2	Lock GN615.1-M20-BSN	10008514
22	8	Screw M6x16 KF 14441 A4J	10005504

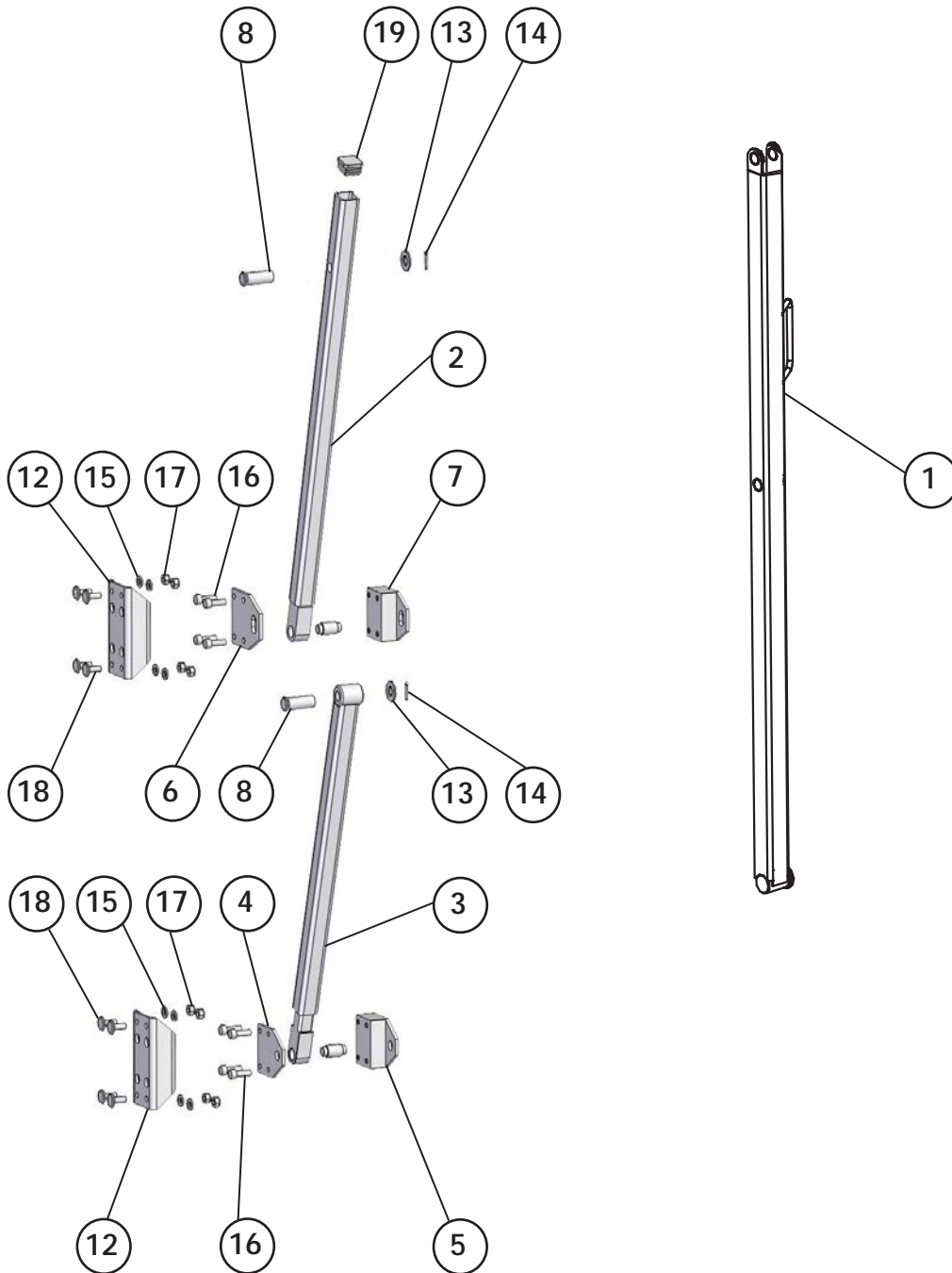
11.1

RAILING LEFT COMPLETE

PG125153



NO	QTY	DESCRIPTION	PART NO.
1	1	Vertical left beam	PG125108
2	1	Top cross-bar	PG125058
3	1	Cross-bar	PG125111
4	1	Holder I	PG125556
5	1	Holder II	PG125530
6	1	Holder III	PG125554
7	1	Holder IV	PG125527
8	2	Pin	PG125001
9	1	Pin I	PG125140
10	1	Pin II	PG125141
11	1	Connector	PG125113
12	2	Profile	PG125551
13	2	Washer	PG125008
14	1	Stopper 25x25	63600659
15	2	Cotter pin 2,5x16	10006514
16	8	Washer ISO 7089-6-200 HV A4J	10006175
17	8	Self-locking nut M6-8 A2J	10006278
18	8	Screw M6x18 8.8 A4J	10005507
19	8	Screw M6x16 A4J	10005504
20	1	Holder	PG126248
21	2	Spring washer Z 8,2	10006236
22	2	Screw M8x20 8.8 A4J	10005548

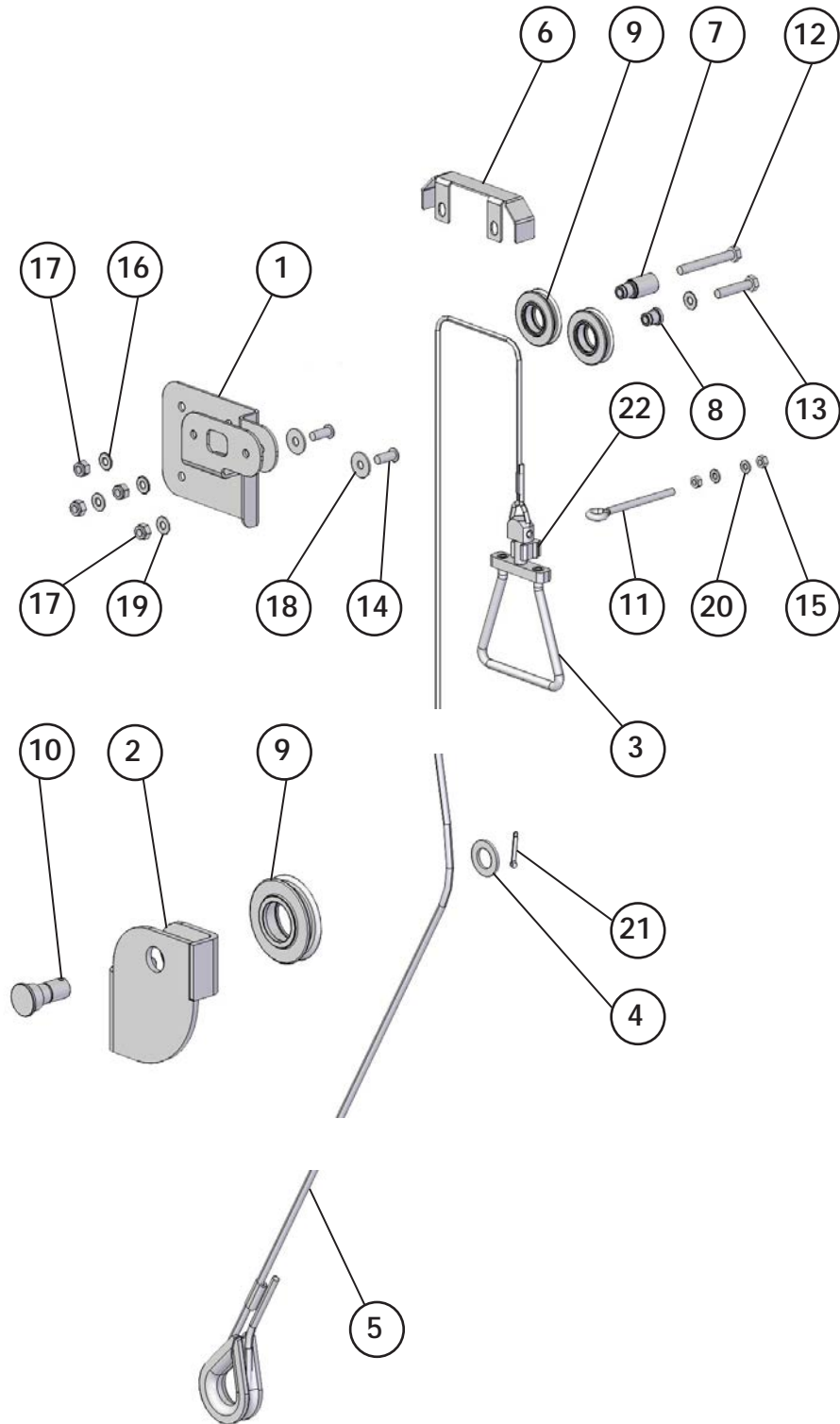


NO	QTY	DESCRIPTION	PART NO.
1	1	Vertical right beam	PG125107
2	1	Top cross-bar	PG125058
3	1	Cross-bar	PG125111
4	1	Holder I	PG125556
5	1	Holder II	PG125530
6	1	Holder III	PG125554
7	1	Holder IV	PG125527
8	2	Pin	PG125001
9	1	Pin I	PG125140
10	1	Pin II	PG125141
11	1	Connector	PG125113
12	2	Profile	PG125551
13	2	Washer	PG125008
14	2	Cotter pin 2,5x16	10006514
15	8	Washer ISO 7089-6-200 HV A4J	10006175
16	8	Screw M6x18 8.8 A4J	10005507
17	8	Self-locking nut M6-5 A2J	10006277
18	8	Screw M6x16 A4J	10005504
19	1	Stopper 25x25	63600659

11.3

MANUAL OPENING OF LANDING BRIDGE

PG124623

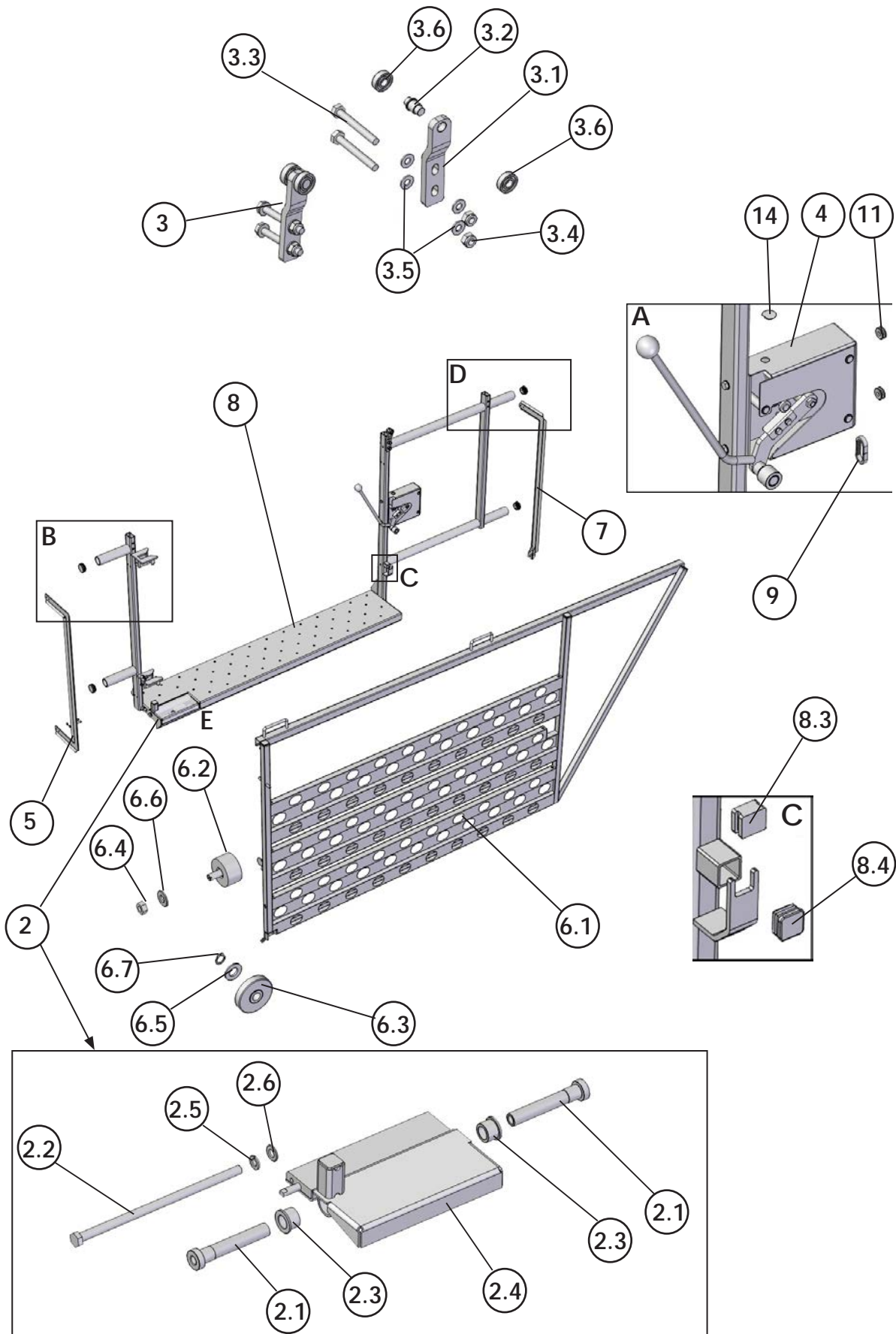


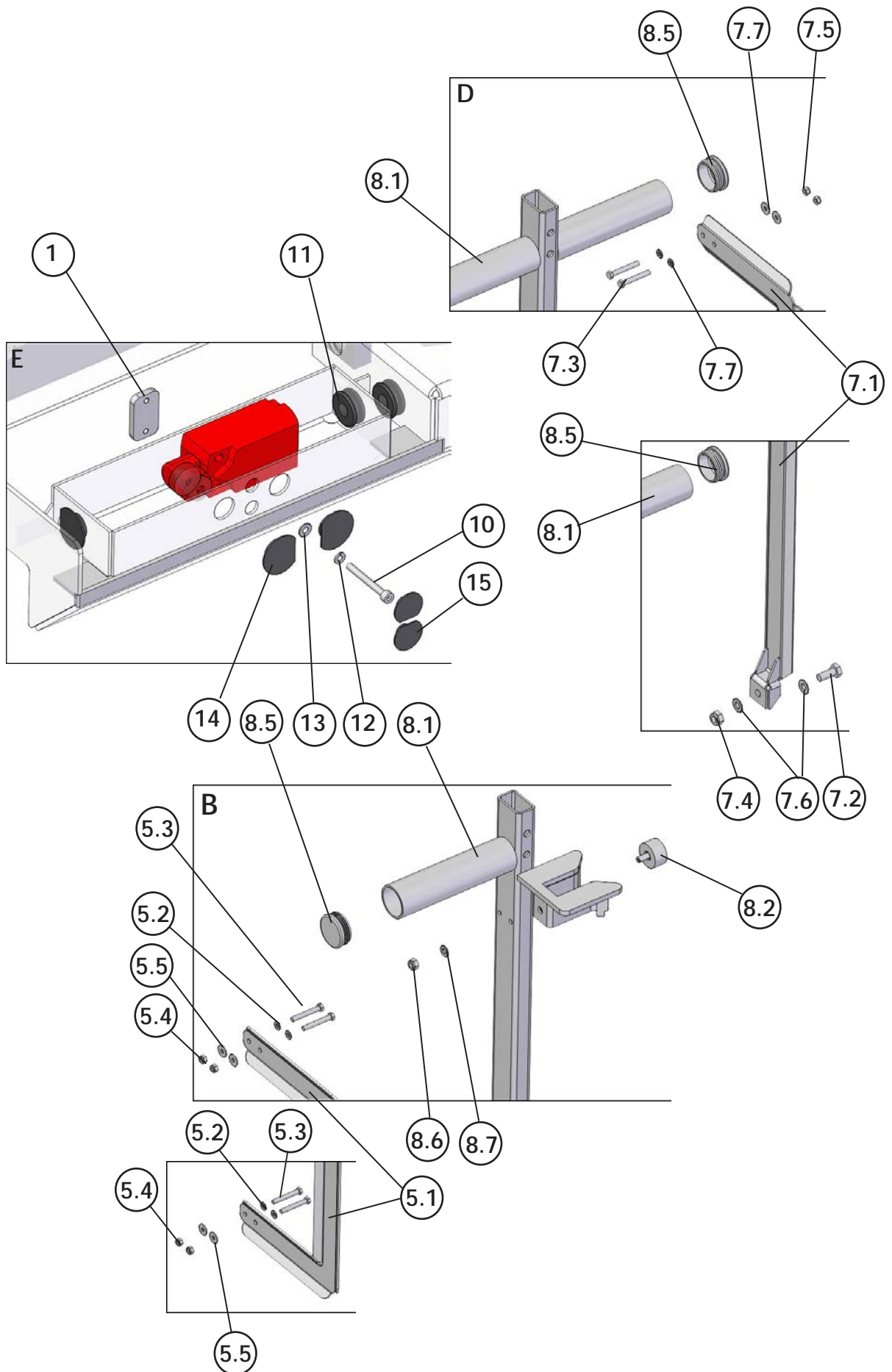
NO	QTY	DESCRIPTION	PART NO.
1	1	Console	PG124956
2	1	Console complete	PG124613
3	1	Lever	PG124608
4	1	Washer	PG124605
5	1	Rope complete	PG124643
6	1	Cover	PG120376
7	1	Axle	PG120372
8	1	Sleeve	PG120375
9	3	Wheel complete	PG120369
10	1	Pin I	PG124590
11	1	Screw M6x80x10 8.8 A4J	10005537
12	1	Screw M8x65 5.8 A4J	10005611
13	1	Screw M8x40 8.8 A4J	10005583
14	2	Screw M8x20 10.9 A4J	10007378
15	2	Nut M6-8	10006320
16	3	Washer ISO 7089-8-200 HV A4J	10006178
17	4	Self-locking nut M8-8 A2J	10006281
18	2	Washer ISO 7093-1-8-200 HV A4J	10006180
19	2	Washer ISO 7089-8-200 HV A4J	10006178
20	2	Washer ISO 7089-6-200 HV A4J	10006176
21	1	Cotter 2,5x16	10006514
22	1	Cable holder NW11	63205401

12A

SLIDING GATE

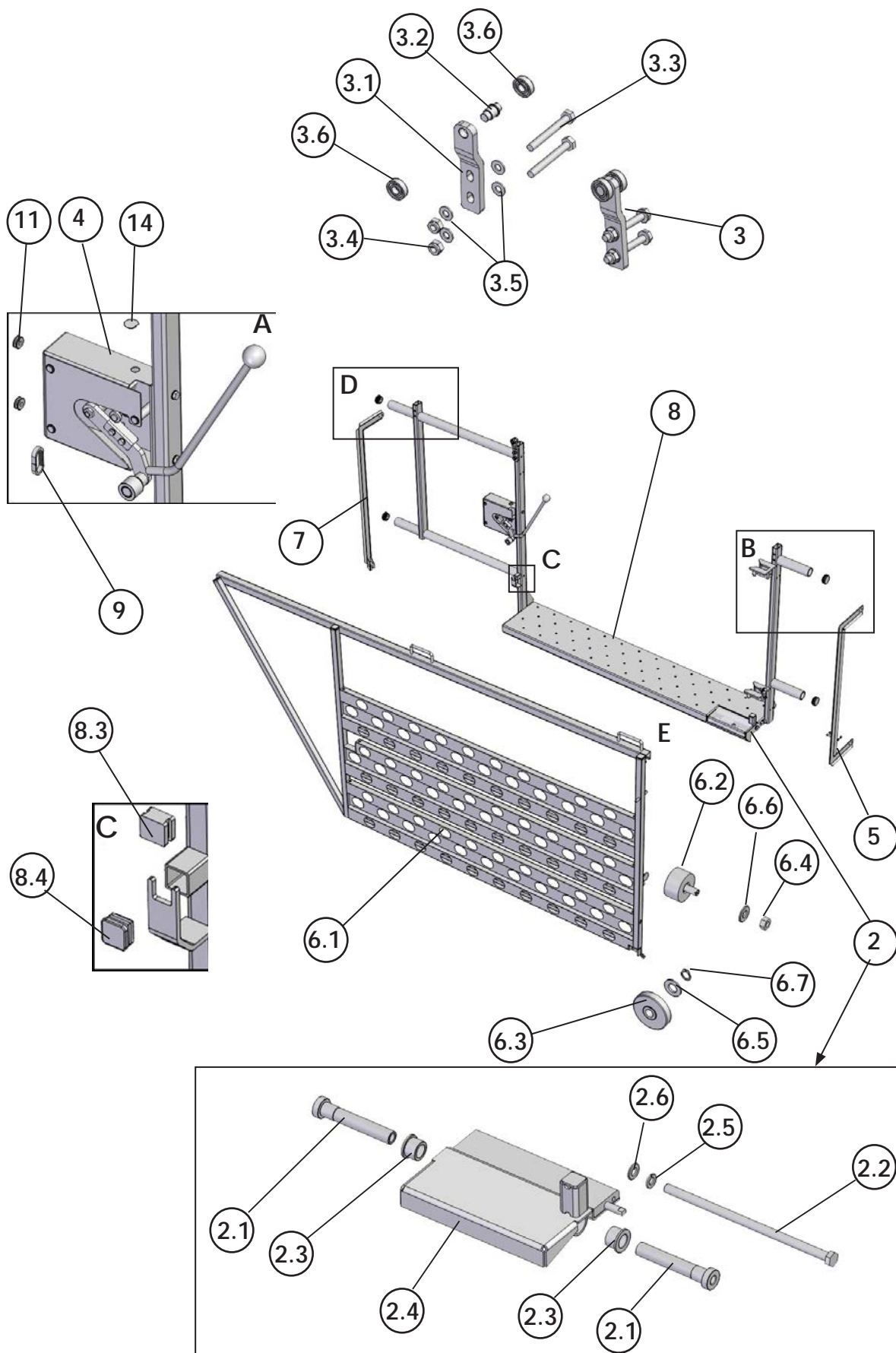
PG126557

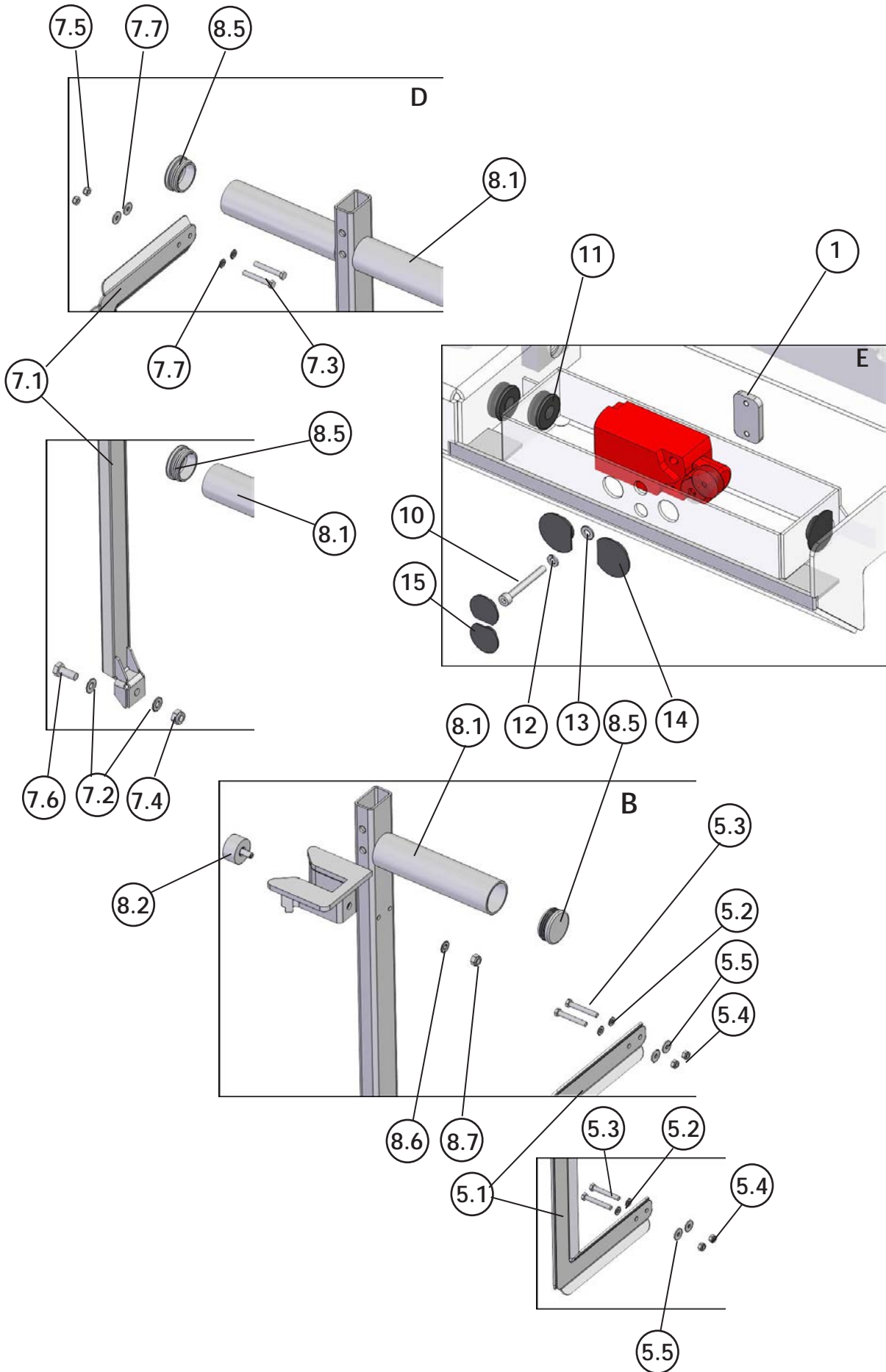




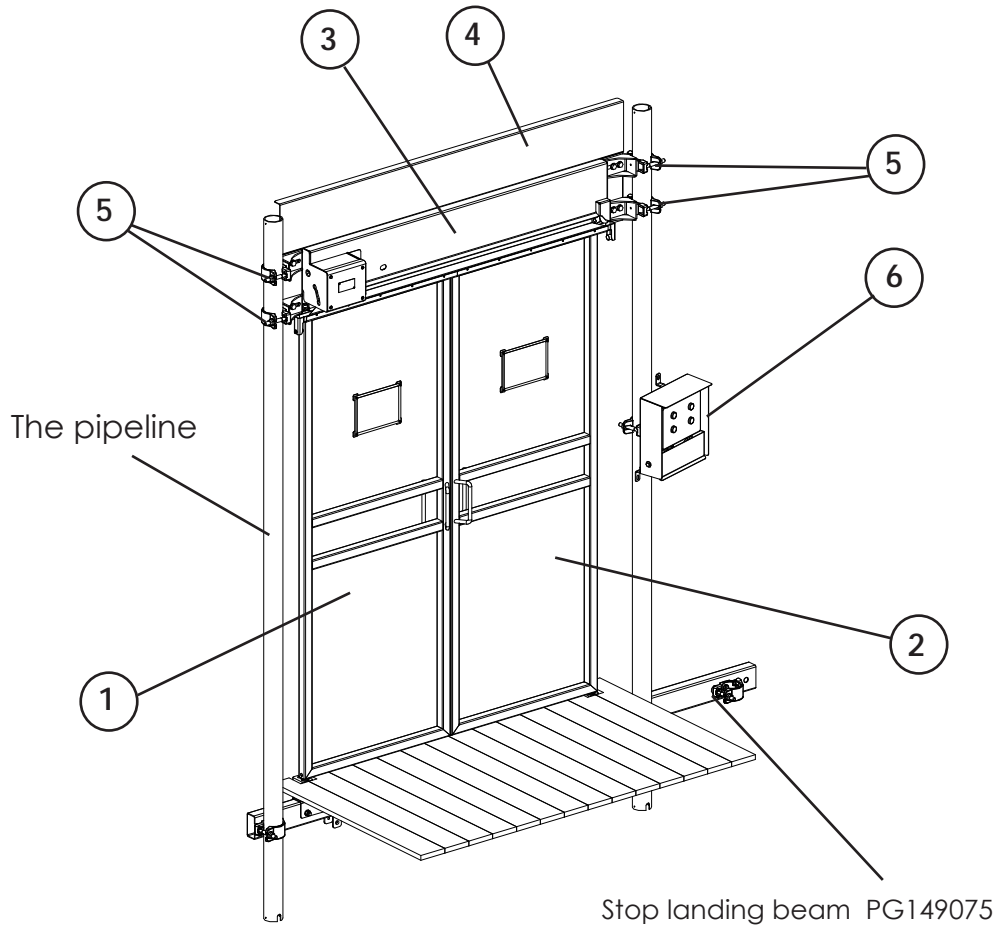
12A

NO	QTY	DESCRIPTION	PART NO.
1	1	Plate	PG133597
2	1	Flap complete right	PG133577
2.1	2	Sleeve	PG133591
2.2	1	Srew M12x280 A4J	10009503
2.3	2	Sleeve 2	PG133494
2.4	2x1	Flap	PG132859
2.5	2x1	Spring washer Z 12,2	10006243
2.6	2x1	Washer ISO 7089-12-200 HV A4J	10006196
3	2	Roller system	PG132801
3.1	2x1	Bracket	PG132835
3.2	2x1	Axle	PG133050
3.3	2x2	Srew M10x80 8.8 A4J	10005708
3.4	2x2	Self-locking nut M10-8 A2J	10006286
3.5	2x4	Washer ISO 7089-10-200 HV A4J	10006186
3.6	2x2	Bearing 6001 2RS	10000083
4	1	Lock	PG132778
5	1	Cover 1 compl.	PG132768
5.1	1	Cover 1	PG132769
5.2	4	Washer ISO 7089-6-200 HV A4J	10006175
5.3	4	Srew M6x45 5.8 A4J	10005520
5.4	4	Self-locking nut M6-8 A2J	10006278
5.5	4	Washer ISO 7093-1-6-200 HV A4J	10006177
6	1	Move raling compl. right	PG132756
6.1	1	Move raling right	PG132757
6.2	1	Rubber buffer D20/30	10009504
6.3	1	Roller	PG132869
6.4	1	Self-locking nut M8-A4-70	10006283
6.5	1	Washer ISO 7089-12-200 HV A4J	10006197
6.6	1	Washer ISO 7089-8-200 HV A4J	10006178
6.7	1	Snap ring Z 12	10000886
7	1	Cover 2 compl.	PG132751
7.1	1	Cover 2	PG133604
7.2	1	Srew M10x25 8.8 A4J	10005654
7.3	2	Srew M6x45 5.8 A4J	10005520
7.4	1	Self-locking nut M10-8 A2J	10006286
7.5	2	Self-locking nut M6-8 A2J	10006278
7.6	2	Washer ISO 7089-10-200 HV A4J	10006186
7.7	4	Washer ISO 7089-6-200 HV A4J	10006175
8	1	Frame compl. right	PG132722
8.1	1	Frame right	PG132724
8.2	2	Rubber buffer	PG126250
8.3	1	Rubber fender	PG126422
8.4	1	Stopper 25x25	10003386
8.5	4	Stopper F48 2.5-5S	10003382
8.6	2	Self-locking nut M8-8 A2J	10006281
8.7	2	Washer ISO 7089-8-200 HV A4J	10006178
9	1	Edge cover	PG132027
10	2	Srew M4x35 A4-80	10008183
11	6	Cable gland SR1700 23x4 PVC	10007507
12	2	Spring washer Z 4,1	10006228
13	2	Washer ISO 7089-4-200 HV A2	10006169
14	4	Stopper fi.d16,0 SR1760	10003389
15	2	Stopper fi.d9,5	10003388



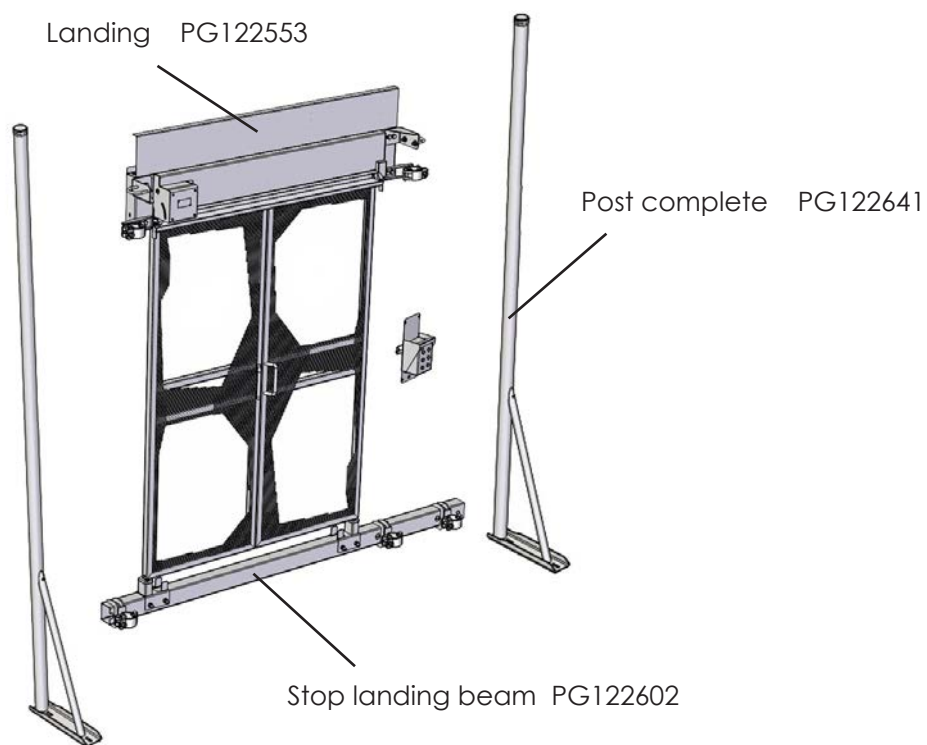


NO	QTY	DESCRIPTION	PART NO.
1	1	Plate	PG133597
2	1	Flap complete left	PG133729
2.1	2	Sleeve	PG133591
2.2	1	Srew M12x280 A4J	10009503
2.3	2	Sleeve 2	PG133494
2.4	2x1	Flap	PG133730
2.5	2x1	Spring washer Z 12,2	10006243
2.6	2x1	Washer ISO 7089-12-200 HV A4J	10006196
3	2	Roller system	PG132801
3.1	2x1	Bracket	PG132835
3.2	2x1	Axle	PG133050
3.3	2x2	Srew M10x80 8.8 A4J	10005708
3.4	2x2	Self-locking nut M10-8 A2J	10006286
3.5	2x4	Washer ISO 7089-10-200 HV A4J	10006186
3.6	2x2	Bearing 6001 2RS	10000083
4	1	Lock	PG132725
5	1	Cover 1 compl.	PG132768
5.1	1	Cover 1	PG132769
5.2	4	Washer ISO 7089-6-200 HV A4J	10006175
5.3	4	Srew M6x45 5.8 A4J	10005520
5.4	4	Self-locking nut M6-8 A2J	10006278
5.5	4	Washer ISO 7093-1-6-200 HV A4J	10006177
6	1	Move raling compl. left	PG130134
6.1	1	Move raling right	PG133661
6.2	1	Rubber buffer D20/30	10009504
6.3	1	Roller	PG132869
6.4	1	Self-locking nut M8-A4-70	10006283
6.5	1	Washer ISO 7089-12-200 HV A4J	10006197
6.6	1	Washer ISO 7089-8-200 HV A4J	10006178
6.7	1	Snap ring Z 12	10000886
7	1	Cover 2 compl.	PG133726
7.1	1	Cover 2	PG133727
7.2	1	Srew M10x25 8.8 A4J	10005654
7.3	2	Srew M6x45 5.8 A4J	10005520
7.4	1	Self-locking nut M10-8 A2J	10006286
7.5	2	Self-locking nut M6-8 A2J	10006278
7.6	2	Washer ISO 7089-10-200 HV A4J	10006186
7.7	4	Washer ISO 7089-6-200 HV A4J	10006175
8	1	Frame compl. left	PG130100
8.1	1	Frame left	PG133711
8.2	2	Rubber buffer	PG126250
8.3	1	Rubber fender	PG126422
8.4	1	Stopper 25x25	10003386
8.5	4	Stopper F48 2.5-5S	10003382
8.6	2	Self-locking nut M8-8 A2J	10006281
8.7	2	Washer ISO 7089-8-200 HV A4J	10006178
9	1	Edge cover	PG132027
10	2	Srew M4x35 A4-80	10008183
11	6	Cable gland SR1700 23x4 PVC	10007507
12	2	Spring washer Z 4,1	10006228
13	2	Washer ISO 7089-4-200 HV A2	10006169
14	4	Stopper fi.d16,0 SR1760	10003389
15	2	Stopper fi.d9,5	10003388



NO	QTY	DESCRIPTION	PART NO.
1	1	Left door	PG119301
2	1	Right door	PG119301
3	1	Lock ZB-06	PG142957
4	1	Cover	PG117243
5	4	Connector joint	PG149073
6	1	Holder of control box OP4	PG148497

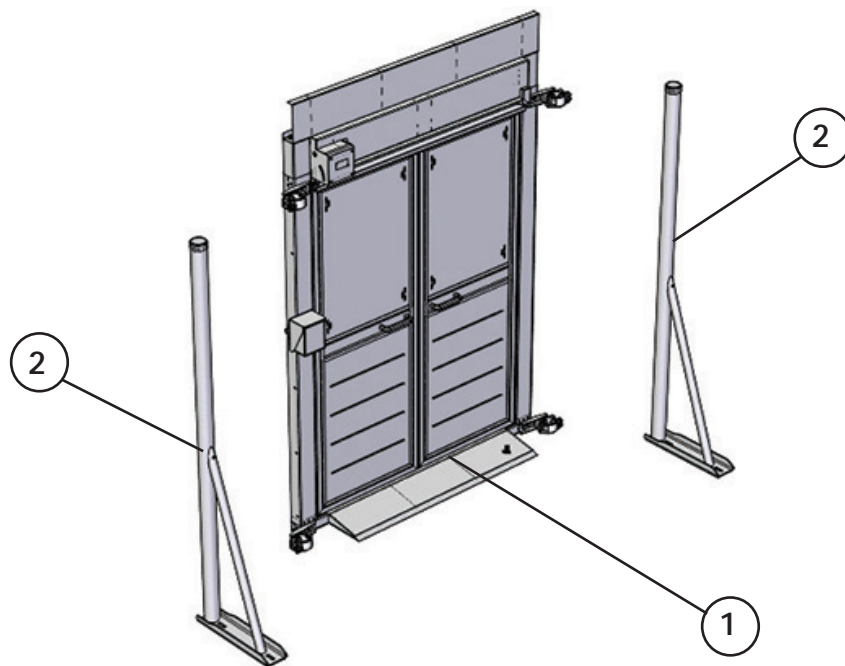
OPTION



13B

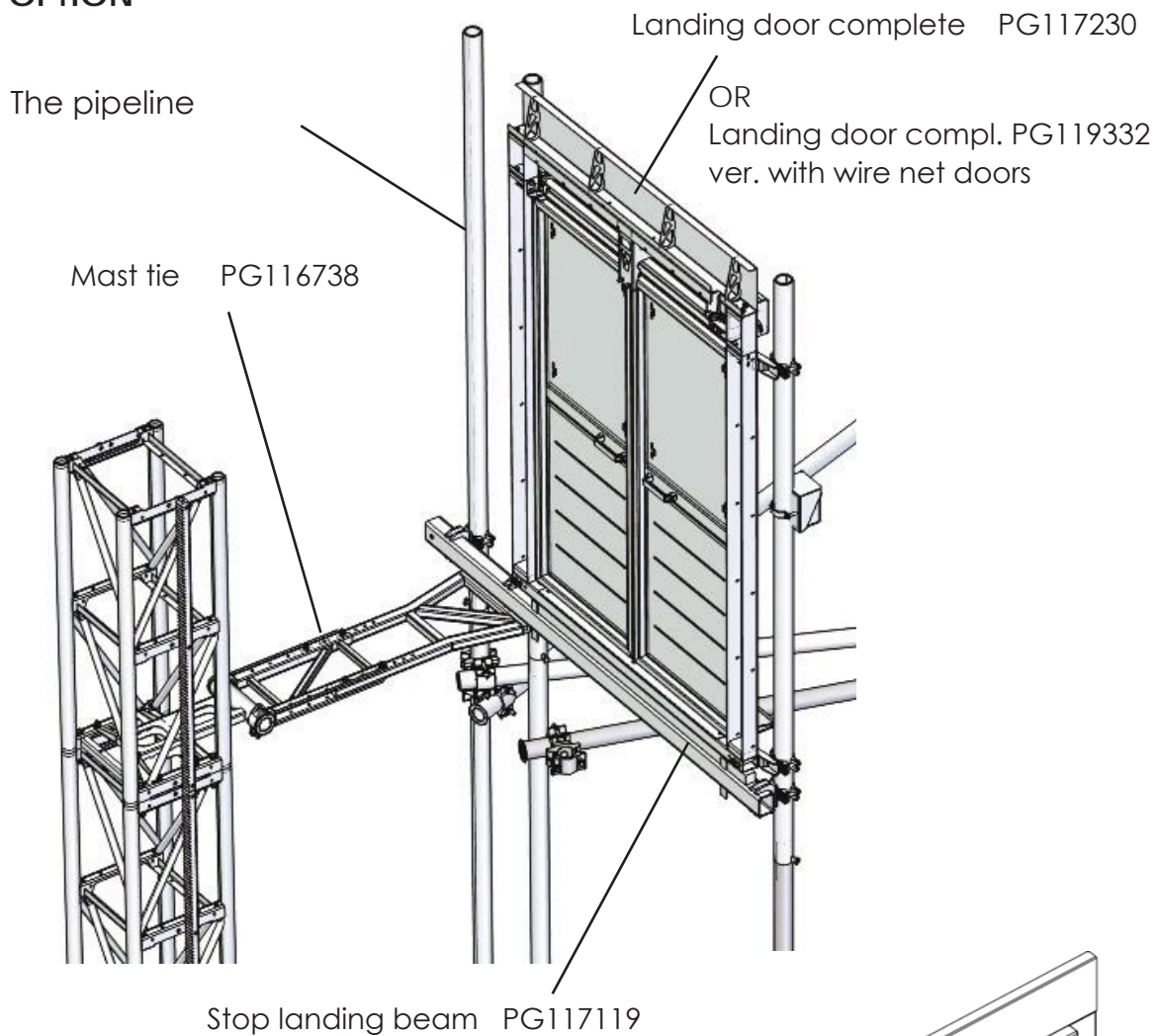
LANDING

PG116285

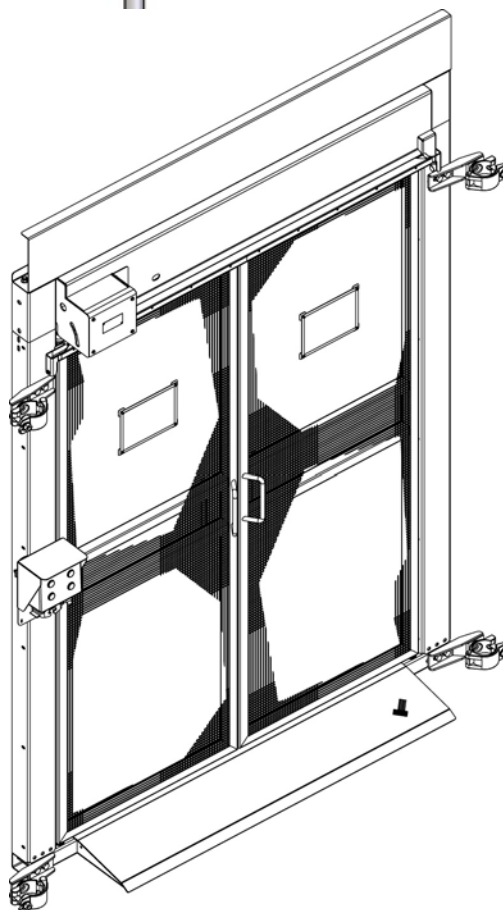


NO	QTY	DESCRIPTION	PART NO.
1	1	Landing door complete (see 13.2)	PG117230
2	2	Post complete	PG116220

OPTION



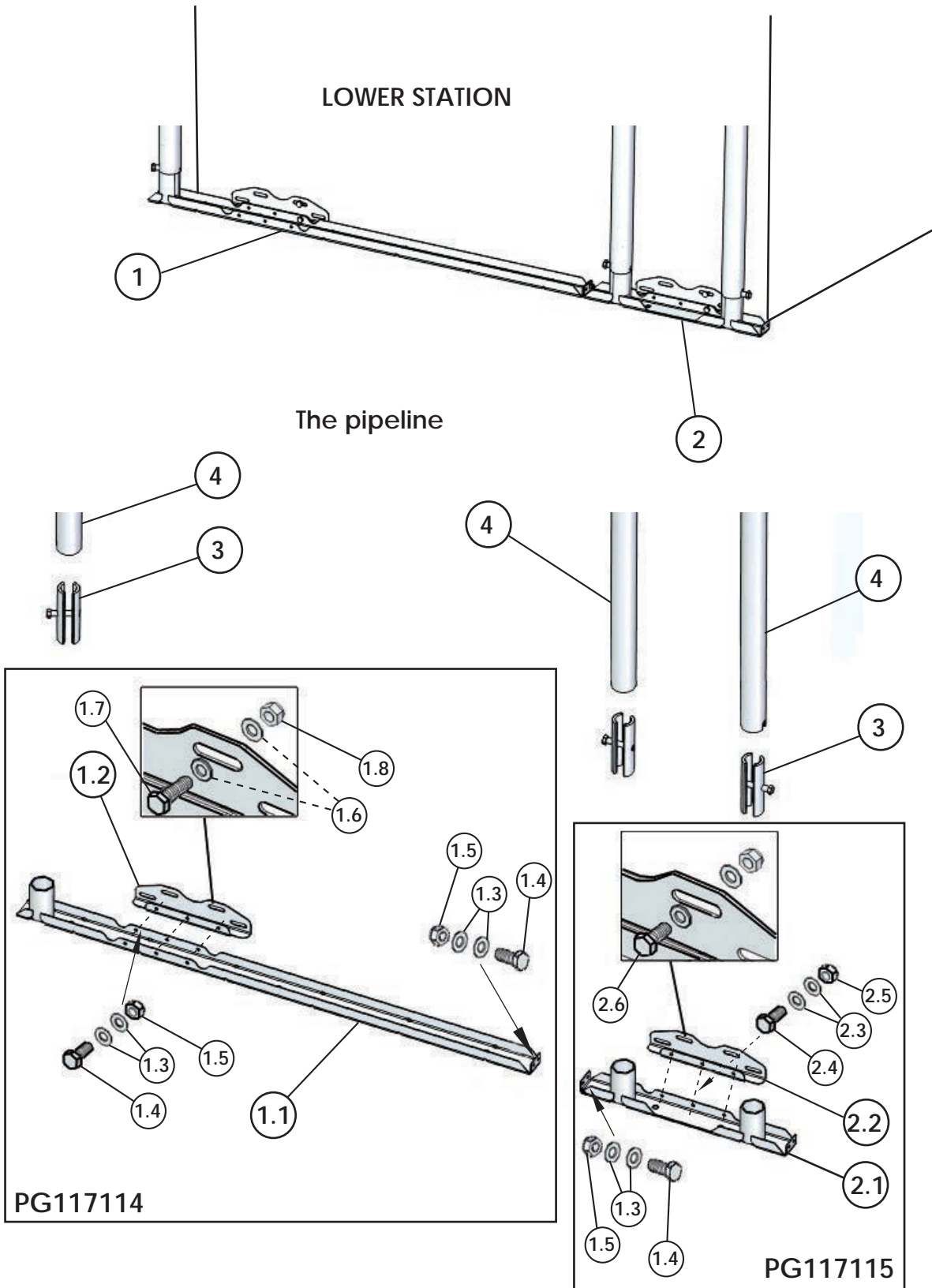
Landing door complete PG119332
ver. with wire net doors



13.1

LOWER CONSOLE - LONG
LOWER CONSOLE - SHORT

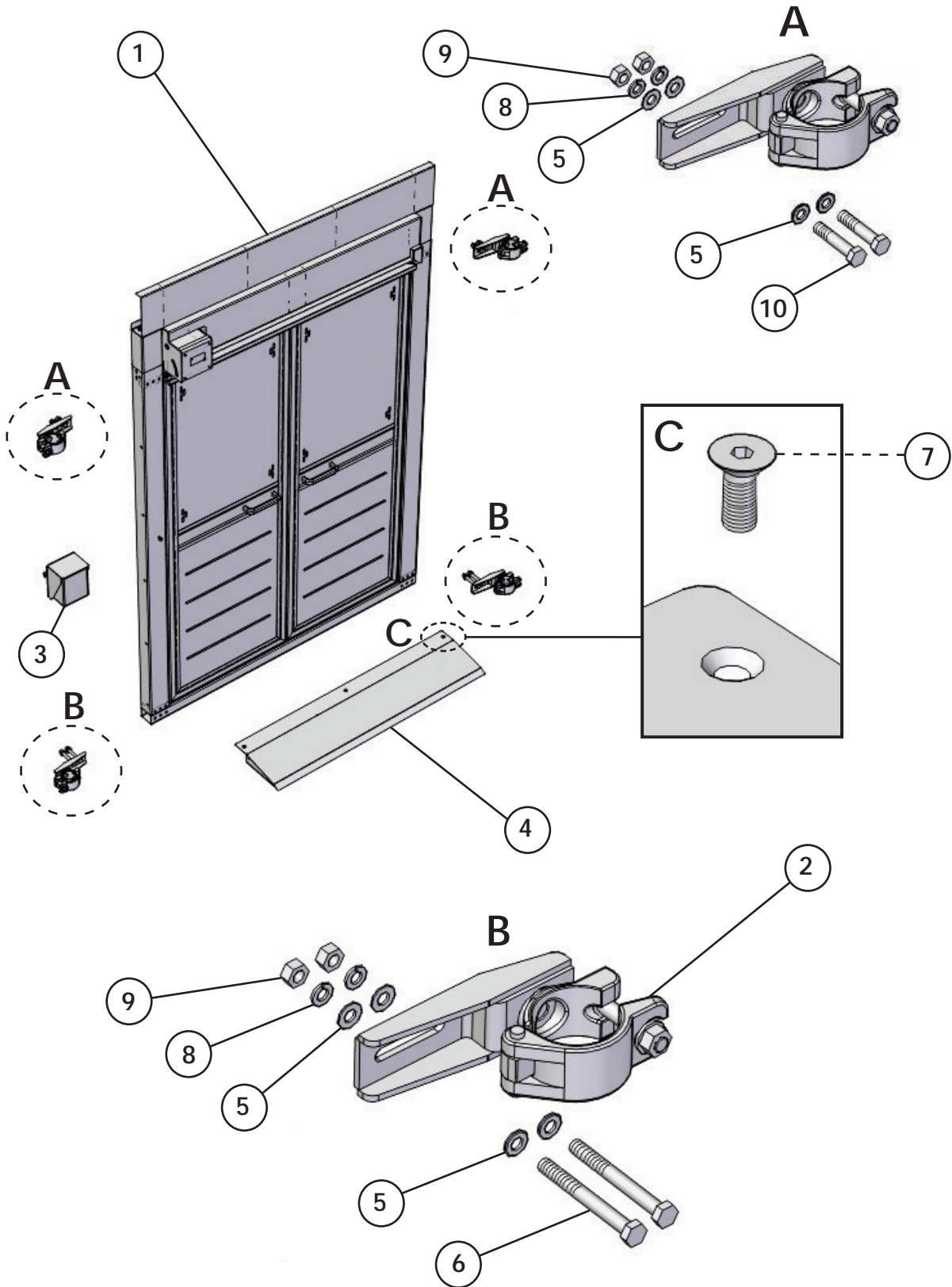
PG117114
PG117115



13.1

NO	QTY	DESCRIPTION	PART NO.
1	1	Lower console - long	PG117114
1.1	1	Lower console - long	PG117361
1.2	1	Connector	PG117354
1.3	10	Washer 10,5 Fe/Zn12bcA	10006186
1.4	5	Screw M10x25 8.8 A4J	10005653
1.5	5	Nut M10 5B A4J	10006284
1.6	5	Washer 13 Fe/Zn12bcA	10006196
1.7	4	Screw M12x30 8.8 A4J	10005734
1.8	4	Nut M12 8B A4J	10006291
2	1	Lower console - short	PG117115
2.1	1	Lower console - short	PG117371
2.2	1	Connector	PG117354
2.3	6	Washer 10,5 Fe/Zn12bcA	10006186
2.4	3	Screw M10x25 8.8 A4J	10005653
2.5	3	Nut M10 5B A4J	10006284
2.6	4	Screw M12x45 8.8 A4J	10005748
3		Pipe connection	PG108300
4		Pipe line	PG108286

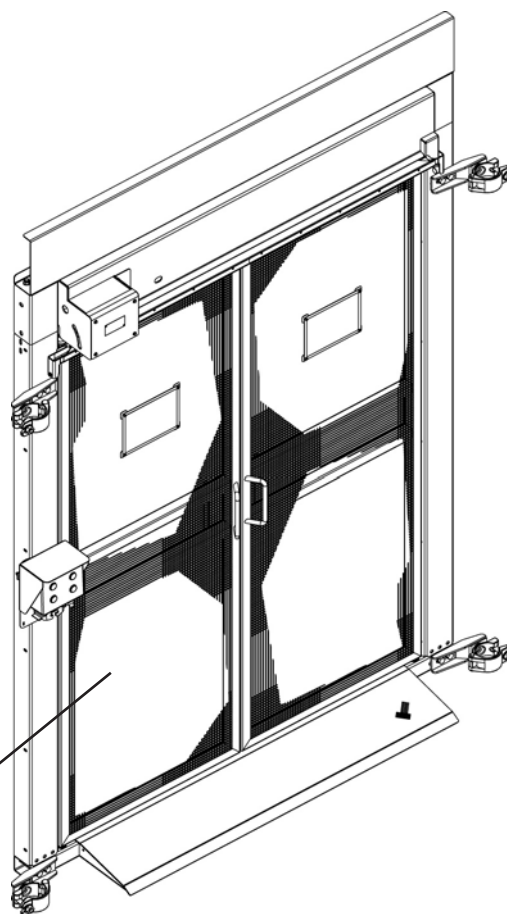
13.2 LANDING DOOR COMPL. PG117230



NO	QTY	DESCRIPTION	PART NO.
1	1	Landing wall	PG116215
2	4	Connector joint	PG117265
3	1	Holder of control box	PG124652
4	1	Ramp	PG117254
5	16	Washer 13 Fe/Zn 12bcA	10006196
6	4	Screw M12x110 8.8 A4J	10005771
7	3	Screw M10x20 Fabory	10008276
8	8	Spring washer Z 12,2 Fe/Zn12bcA	10006243
9	8	Nut M12 8B A4J	10006350
10	4	Screw M12x60 8.8 A4J	10005757

Landing door complete PG119332
ver. with wire net doors

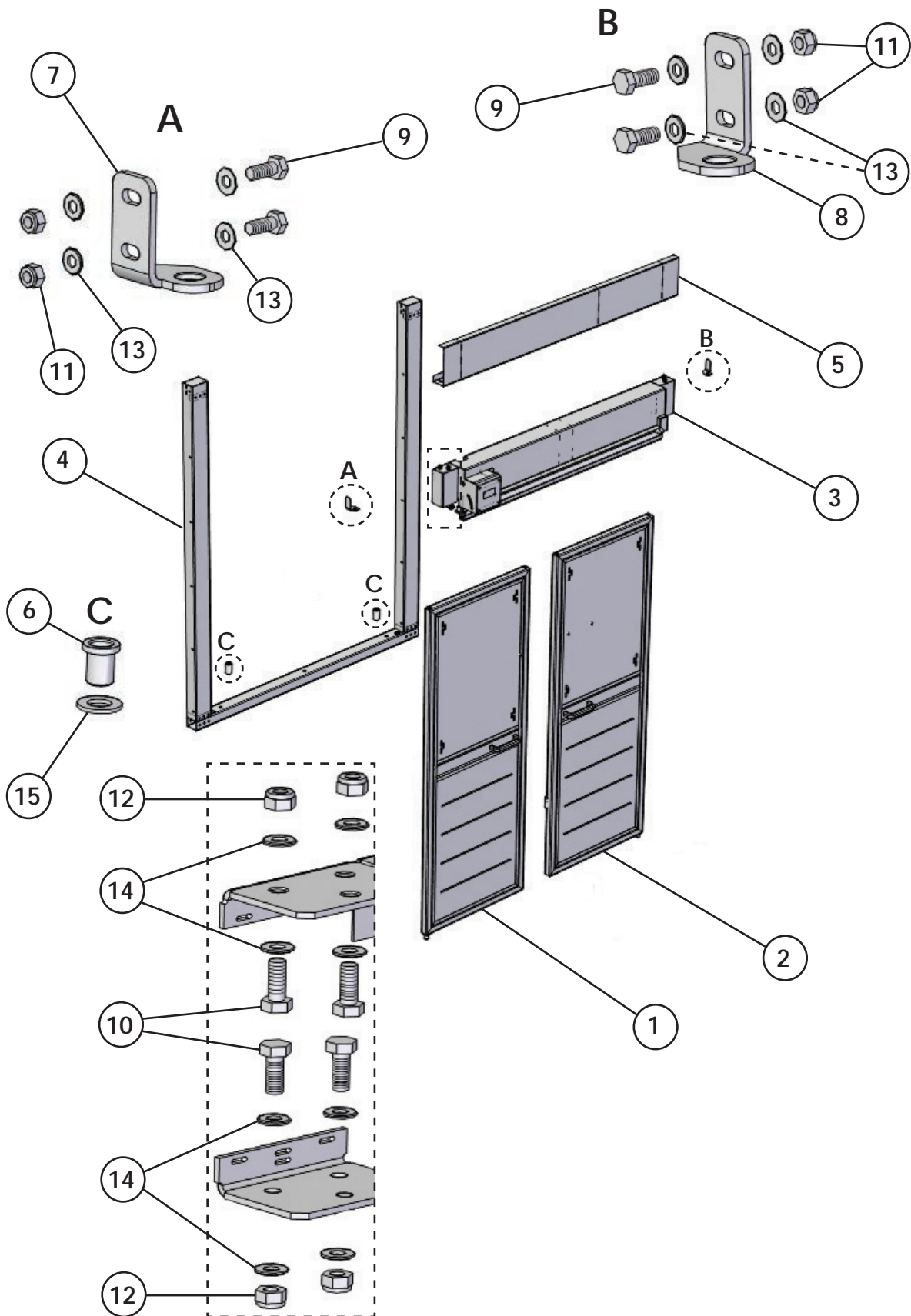
Wire net doors PG119301



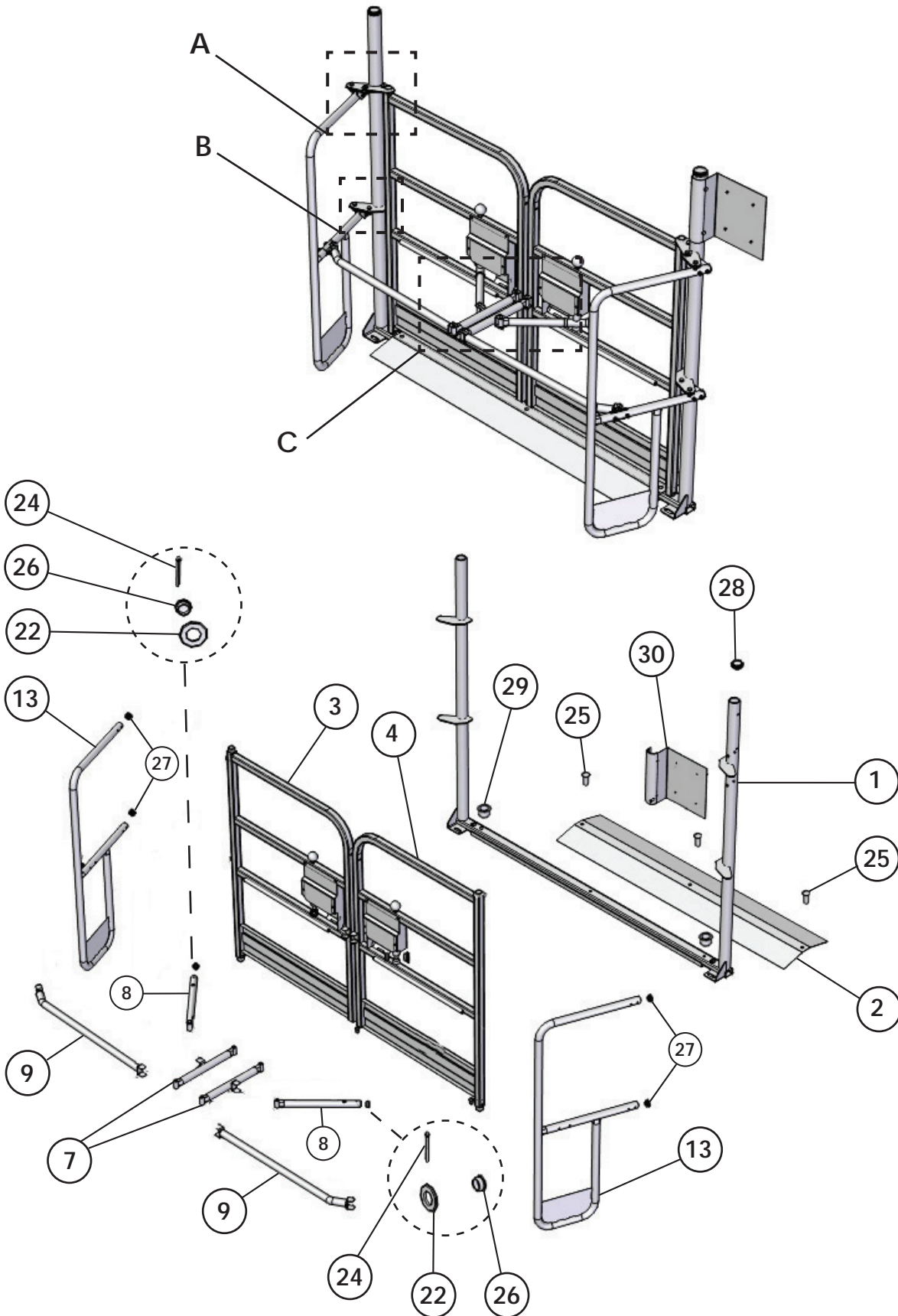
13.3

LANDING WALL

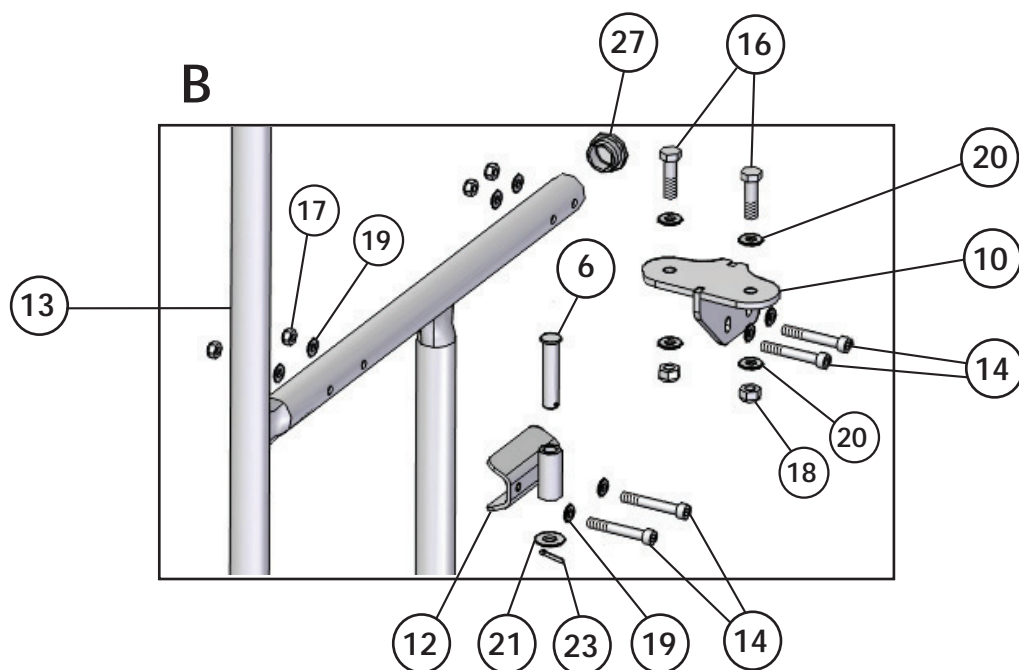
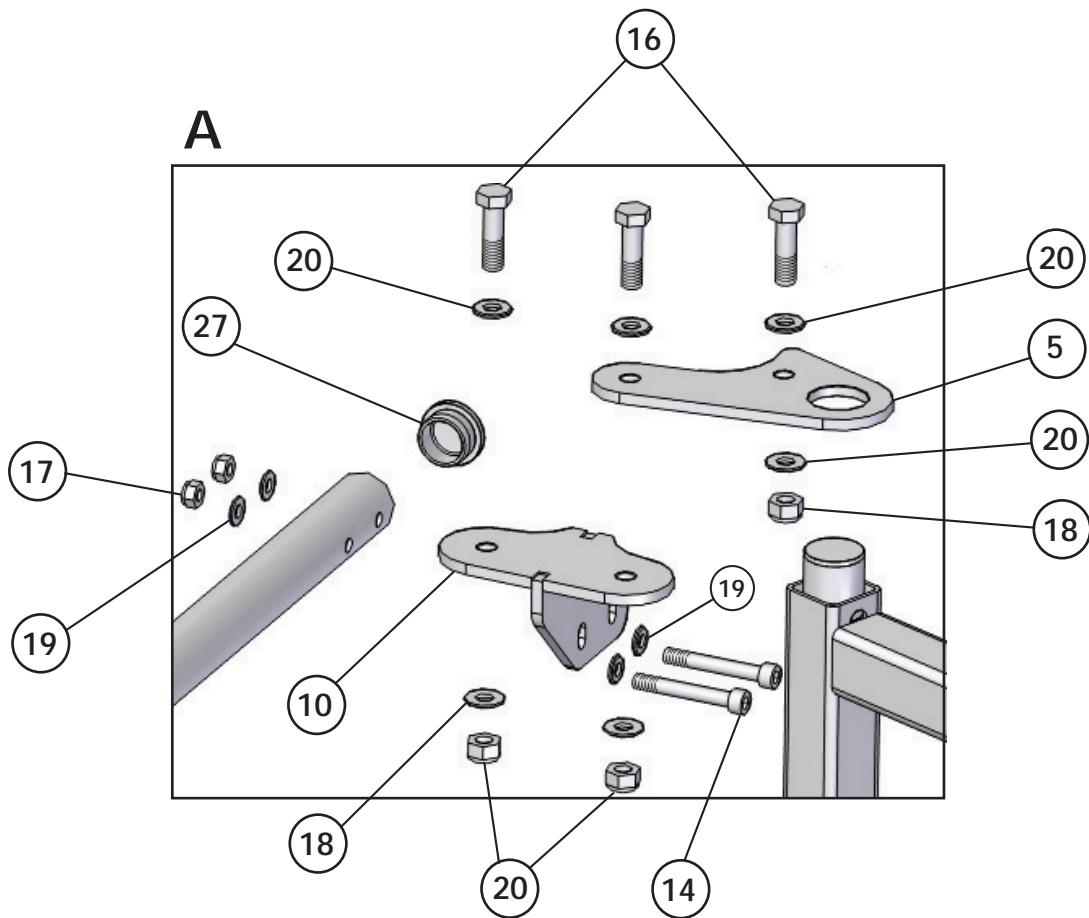
PG116215



NO	QTY	DESCRIPTION	PART NO.
1	1	Left door	PG119040
2	1	Right door	PG119087
3	1	Lock ZB-06	PG127617
4	1	Landing door frame	PG116216
5	1	Cover	PG117243
6	2	Sleeve	PG117052
7	1	Angle bar	PG115745
8	1	Angle bar	PG115746
9	4	Screw M8x20 8.8 A4J	10006350
10	8	Screw M10x25 8.8 A4J	10005653
11	4	Nut M8 8B A4J	10006281
12	8	Nut M10 8B A4J	10006286
13	8	Washer 8,4	10006178
14	16	Washer 10,5	10006186
15	4	Washer 19 A4	



NO	QTY	DESCRIPTION	PART NO.
1	1	Gate frame	PG106175
2	1	Sheet metal	PG106189
3	1	Half gate left	PG106387
4	1	Half gate right	PG106389
5	2	Sheet metal	PG106397
6	8	Pin	PG106399
7	2	Lever II	PG106432
8	2	Tie I	PG106434
9	2	Lever guide	PG106437
10	2	Railing holder I (left side)	PG106442
11	2	Railing holder II (right side)	PG106444
12	2	Catch	PG106446
13	2	Railing	PG106450
14	12	Screw M6x45 8.8A4J	10005521
15	3	Screw M8x25 8.8A4J	10005564
16	10	Screw M8x30 8.8A4J	10005567
17	12	Nut M6 8B A4J	10006278
18	10	Nut M8 8B A4J	10006281
19	24	Washer 6,4 Fe/Zn12bcA	10006175
20	20	Washer 8,4 Fe/Zn12bcA	10006178
21	8	Washer 10,5 Fe/Zn12bcA	10006186
22	2	Washer 25 Fe/Zn12bcA	10006217
23	8	Pin 2,5x16 Zn/Fe12bcA	10006514
24	2	Pin 4x40 Zn/Fe12bcA	10006522
25	3	Rivet M8-30 TSNR	10006418
26	2	Stopper SR1011	10003394
27	4	Stopper SR1011	10003395
28	2	Stopper F48 2.5-5S	10003382
29	2	Ball bearing	10000145
30	1	Holder of control box OP4	PG118066



NO	QTY	DESCRIPTION	PART NO.
1	1	Gate frame	PG106175
2	1	Sheet metal	PG106189
3	1	Half gate left	PG106387
4	1	Half gate right	PG106389
5	2	Sheet metal	PG106397
6	8	Pin	PG106399
7	2	Lever II	PG106432
8	2	Tie I	PG106434
9	2	Lever guide	PG106437
10	2	Railing holder I (left side)	PG106442
11	2	Railing holder II (right side)	PG106444
12	2	Catch	PG106446
13	2	Railing	PG106450
14	12	Screw M6x45 8.8A4J	10005521
15	3	Screw M8x25 8.8A4J	10005564
16	10	Screw M8x30 8.8A4J	10005567
17	12	Nut M6 8B A4J	10006278
18	10	Nut M8 8B A4J	10006281
19	24	Washer 6,4 Fe/Zn12bcA	10006175
20	20	Washer 8,4 Fe/Zn12bcA	10006178
21	8	Washer 10,5 Fe/Zn12bcA	10006186
22	2	Washer 25 Fe/Zn12bcA	10006217
23	8	Pin 2,5x16 Zn/Fe12bcA	10006514
24	2	Pin 4x40 Zn/Fe12bcA	10006522
25	3	Rivet M8-30 TSNR	10006418
26	2	Stopper SR1011	10003394
27	4	Stopper SR1011	10003395
28	2	Stopper F48 2.5-5S	10003382
29	2	Ball bearing	10000145
30	1	Holder of control box OP4	PG118066

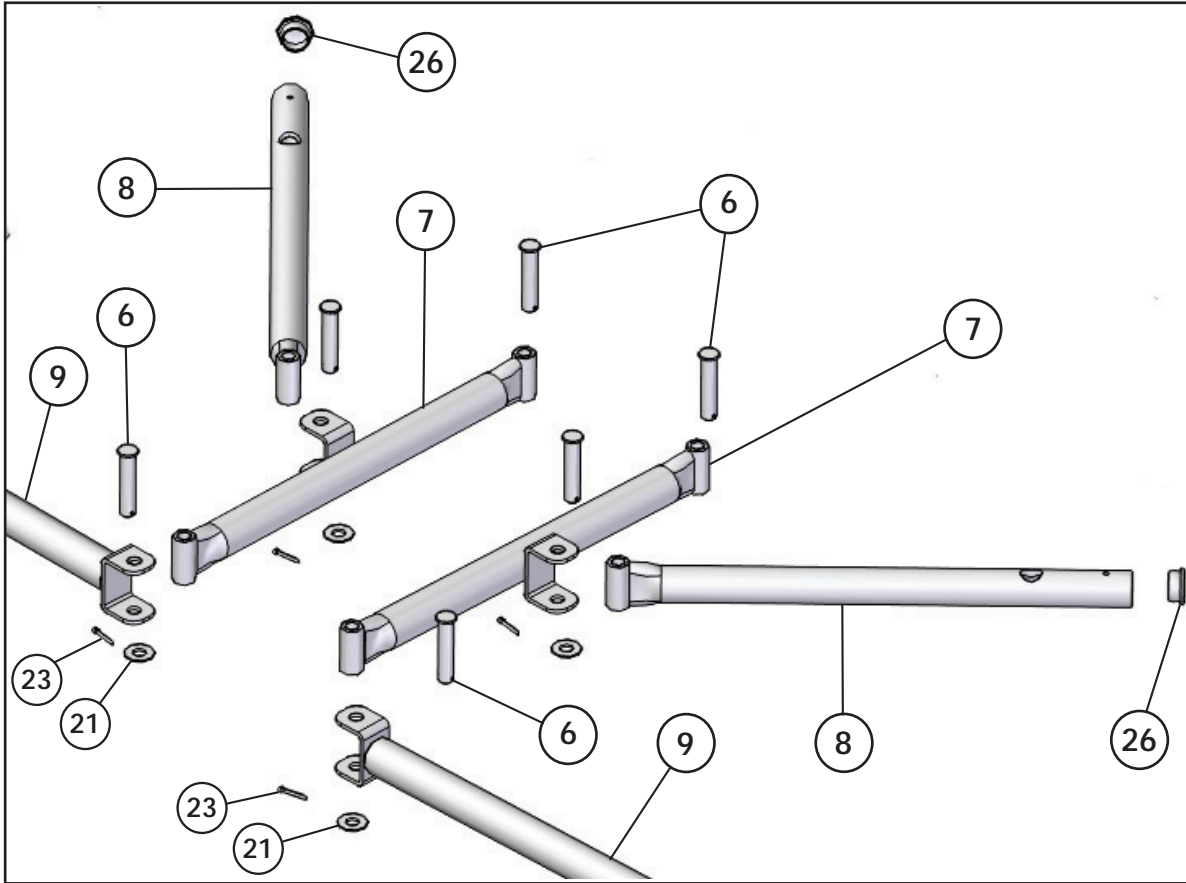
14

LANDING GATE

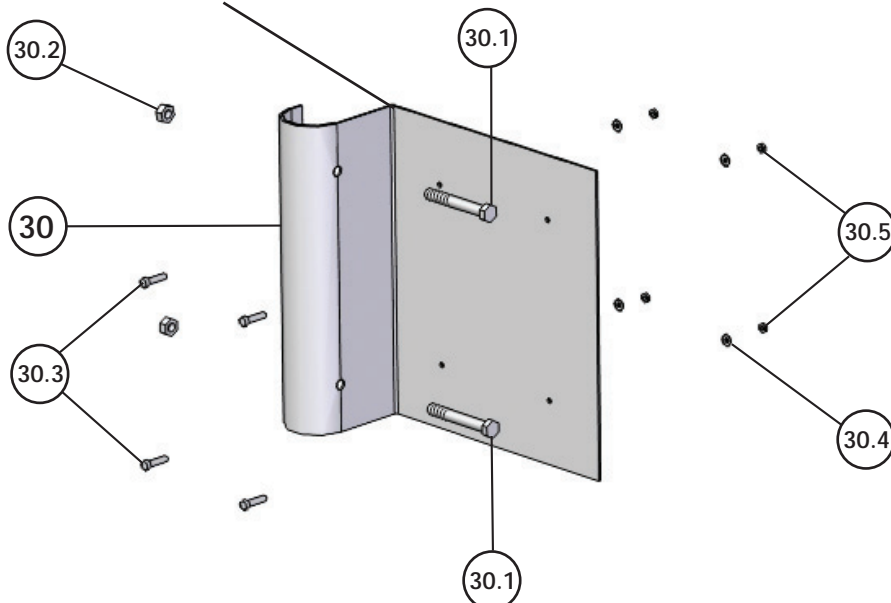
PG106451

Part 3

C



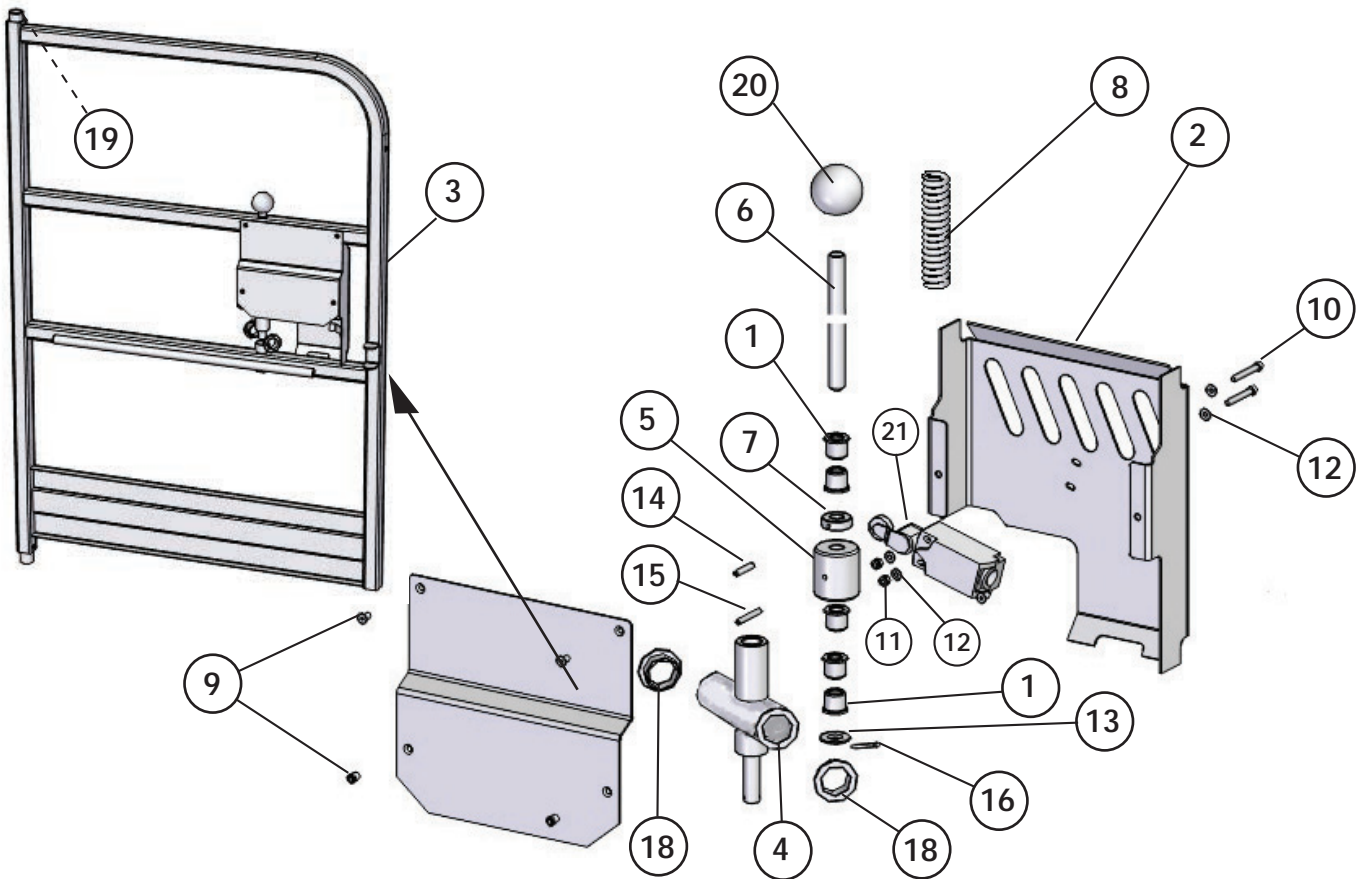
Holder of control box OP4
PG118066



NO	QTY	DESCRIPTION	PART NO.
1	1	Gate frame	PG106175
2	1	Sheet metal	PG106189
3	1	Half gate left	PG106387
4	1	Half gate right	PG106389
5	2	Sheet metal	PG106397
6	8	Pin	PG106399
7	2	Lever II	PG106432
8	2	Tie I	PG106434
9	2	Lever guide	PG106437
10	2	Railing holder I (left side)	PG106442
11	2	Railing holder II (right side)	PG106444
12	2	Catch	PG106446
13	2	Railing	PG106450
14	12	Screw M6x45 8.8A4J	10005521
15	3	Screw M8x25 8.8A4J	10005564
16	10	Screw M8x30 8.8A4J	10005567
17	12	Nut M6 8B A4J	10006278
18	10	Nut M8 8B A4J	10006281
19	24	Washer 6,4 Fe/Zn12bcA	10006175
20	20	Washer 8,4 Fe/Zn12bcA	10006178
21	8	Washer 10,5 Fe/Zn12bcA	10006186
22	2	Washer 25 Fe/Zn12bcA	10006217
23	8	Pin 2,5x16 Zn/Fe12bcA	10006514
24	2	Pin 4x40 Zn/Fe12bcA	10006522
25	3	Rivet M8-30 TSNR	10006418
26	2	Stopper SR1011	10003394
27	4	Stopper SR1011	10003395
28	2	Stopper F48 2.5-5S	10003382
29	2	Ball bearing	10000145
30	1	Holder of control box OP4	PG118066
30.1	2	Screw M8x65 8.8A4J	10005610
30.2	2	Nut M8 8B A4J	10006281
30.3	4	Screw M4x20 8.8A4J	10005438
30.4	4	Washer 4,3 Fe/Zn12bcA	10006168
30.5	4	Nut M4 -8 A4J	10006311

14.1

HALF GATE RIGHT complete PG106389

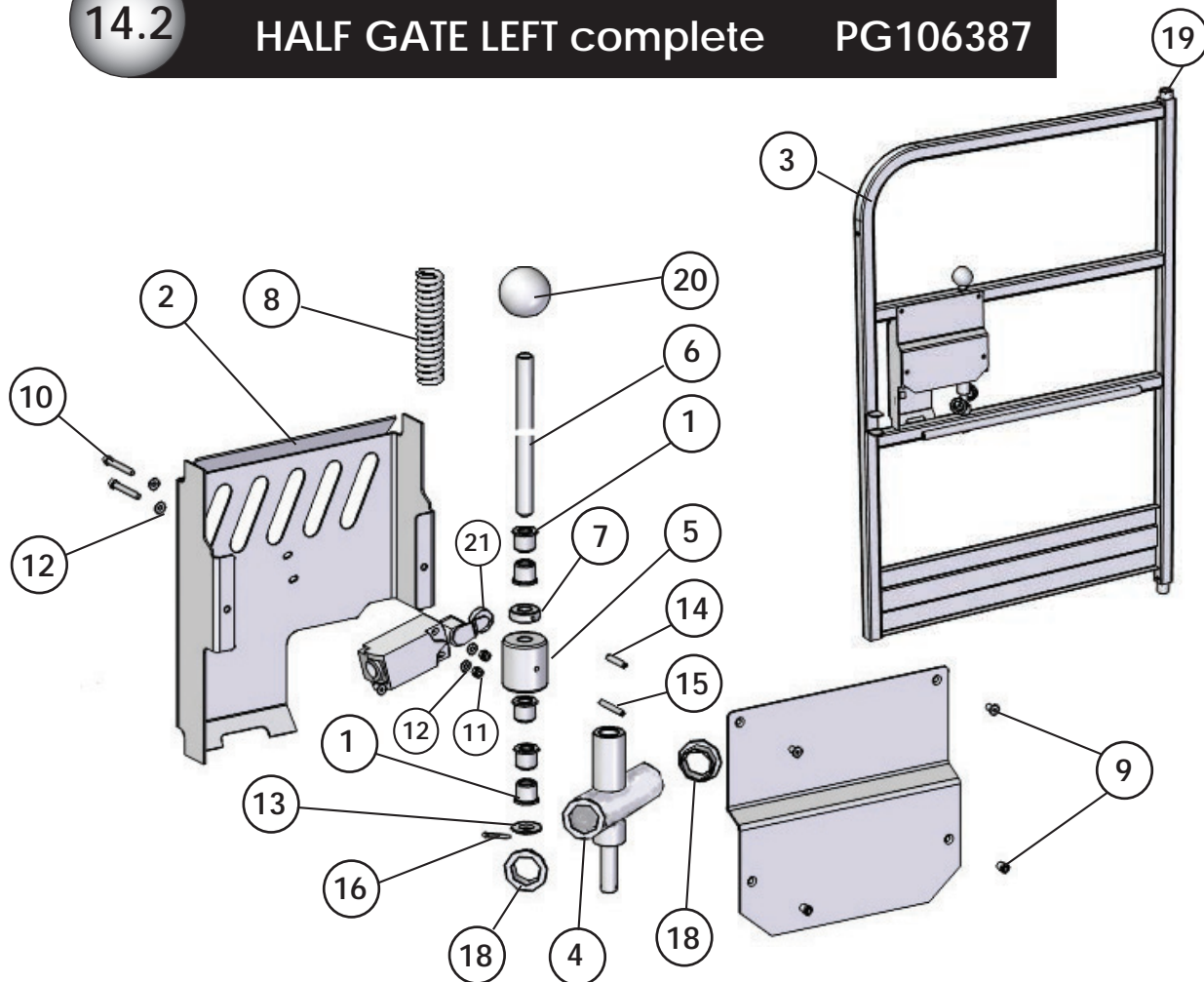


NO	QTY	DESCRIPTION	PART NO.
1	5	Sleeve	PG105921
2	1	Sheet metal	PG106349
3	1	Half gate right	PG106371
4	1	Lock guide	PG106383
5	1	Sleeve	PG106384
6	1	Lock bar	PG106385
7	1	Ring	PG106386
8	1	Spring	PG106396
9	4	Screw M4x10 8.8 A4J	10005429
10	2	Screw M4x35 8.8 A4J	10005440
11	2	Nut RM4 5B A4J	10006271
12	4	Washer 4,3 Fe/Zn12bcA	10006168
13	1	Washer 13 Fe/Zn12bcA	10006196
14	1	Pin 4x24	10006423
15	1	Pin 4x30 A4J	10006425
16	1	Safety pin 2,5x16 Fe/Zn12bcA	10006514
17	4	Rivet M4	10006415
18	2	Ball bearing	10000145
19	1	Stopper SR1011	10003394
20	1	Ball control M12 A40	10000830
21	1	Final limit switch	10000830

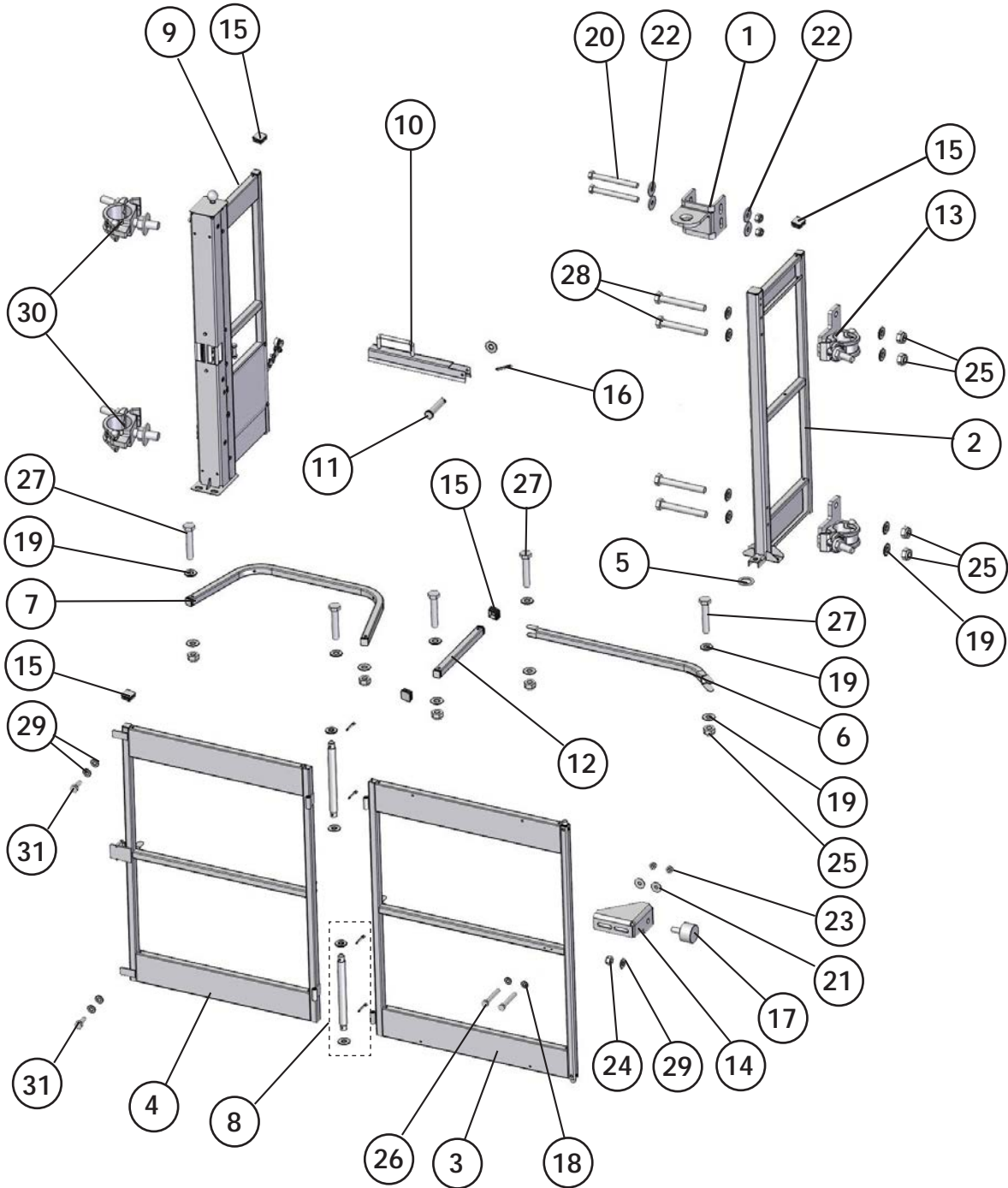
14.2

HALF GATE LEFT complete

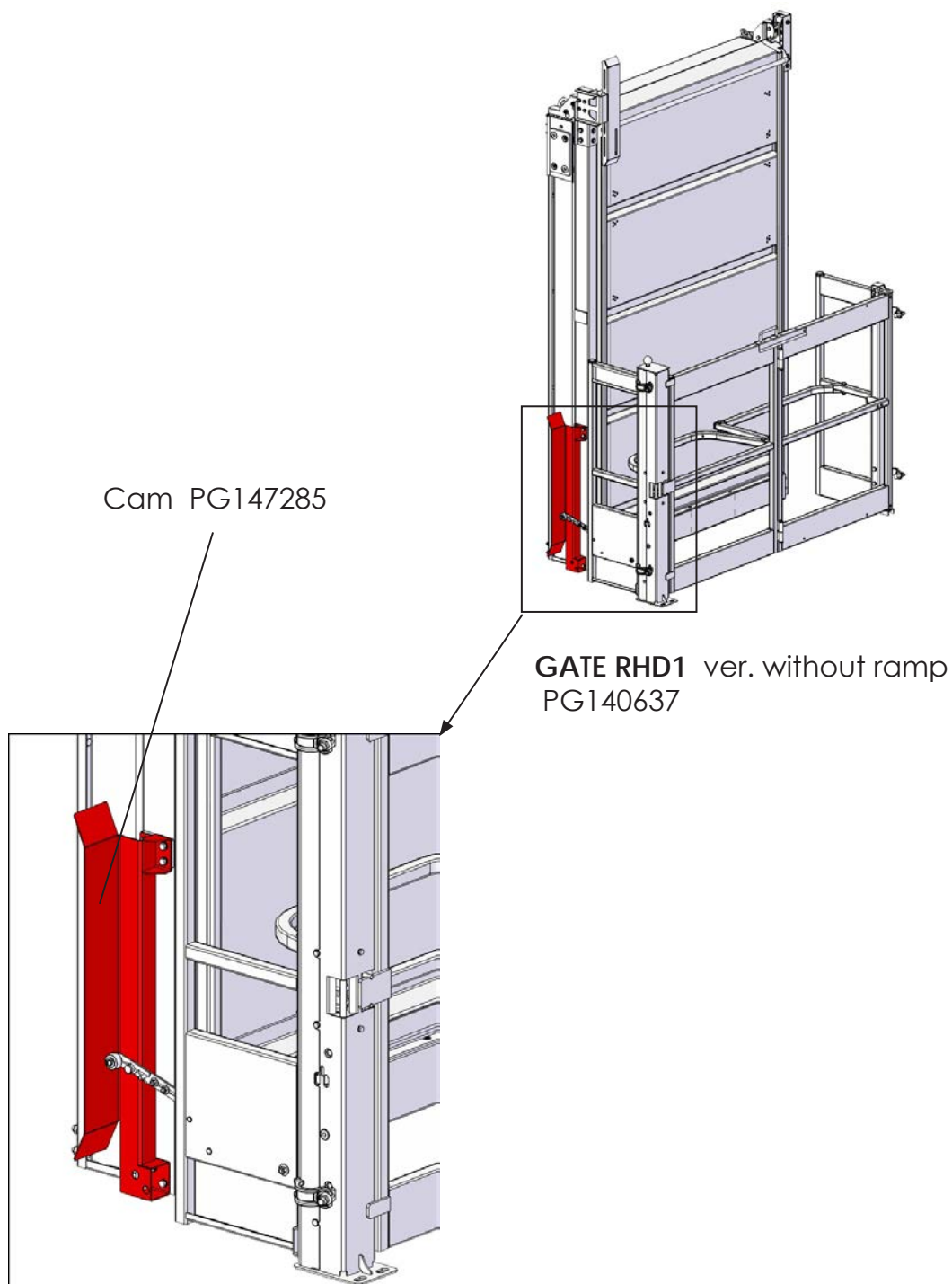
PG106387



NO	QTY	DESCRIPTION	PART NO.
1	5	Sleeve	PG105921
2	1	Sheet metal	PG106349
3	1	Half gate right	PG106358
4	1	Lock guide	PG106383
5	1	Sleeve	PG106384
6	1	Lock bar	PG106385
7	1	Ring	PG106386
8	1	Spring	PG106396
9	4	Screw M4x10 8.8 A4J	10005429
10	2	Screw M4x35 8.8 A4J	10005440
11	2	Nut RM4 5B A4J	10006271
12	4	Washer 4,3 Fe/Zn12bcA	10006168
13	1	Washer 13 Fe/Zn12bcA	10006196
14	1	Pin 4x24	10006423
15	1	Pin 4x30 A4J	10006425
16	1	Safety pin 2,5x16 Fe/Zn12bcA	10006514
17	4	Rivet M4	10006415
18	2	Ball bearing	10000145
19	1	Stopper SR1011	10003394
20	1	Ball control M12 A40	10000830
21	1	Final limit switch	10000830



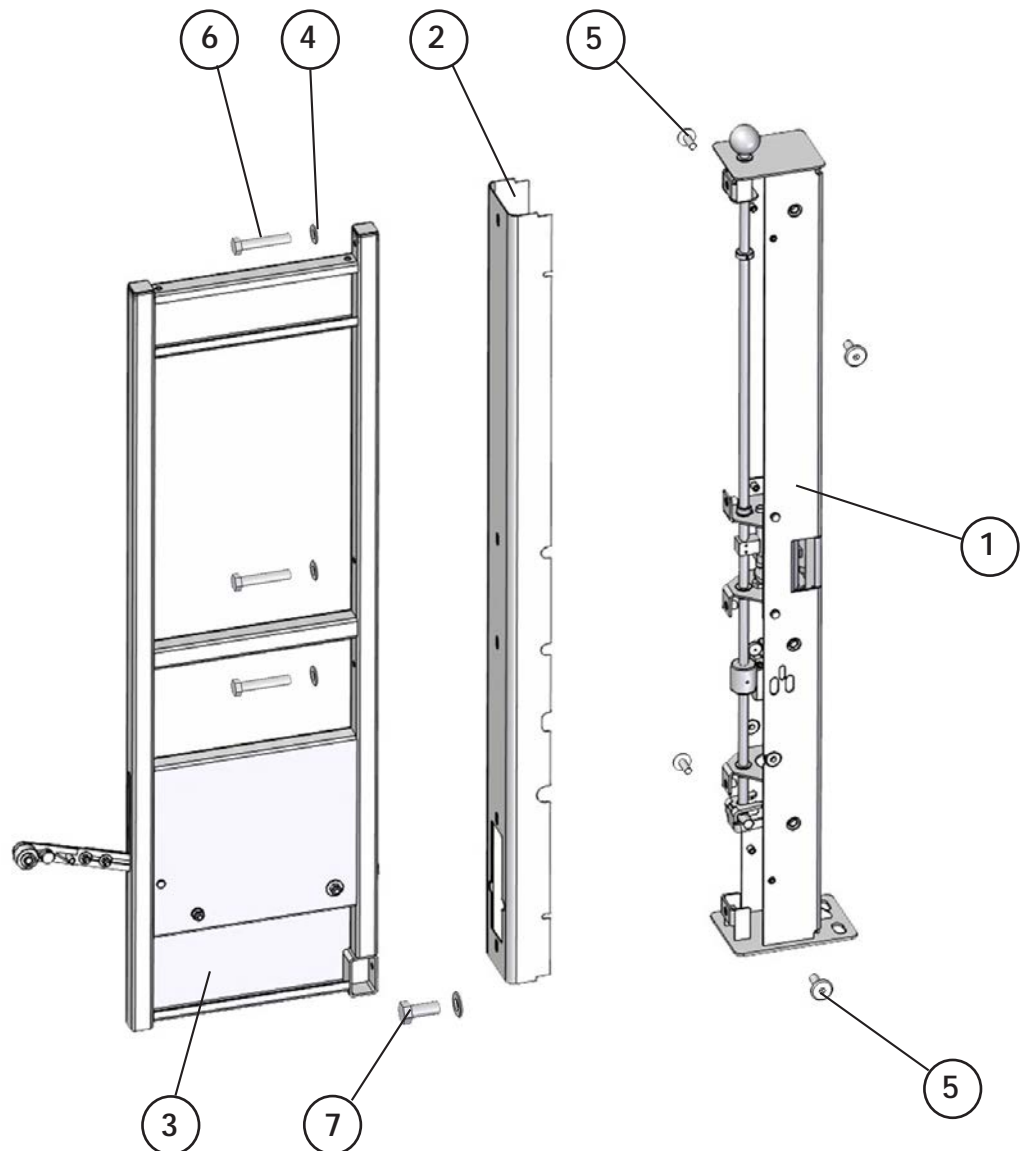
NO	QTY	DESCRIPTION	PART NO.
1	1	Hinge 2	PG140346
2	1	Railing	PG147010
3	1	Half gate 1	PG147001
4	1	Half gate 2	PG147023
5	1	Washer	PG147016
6	1	Lever	PG147032
7	1	Lever	PG147034
8	2	Tie complete	PG147077
9	1	Post complete	PG139314
10	1	Blocking	PG140554
11	1	Pin	PG140556
12	1	Lever	PG142992
13	2	Connector joint 48	PG143027
14	1	Buffer holder	PG143044
15	6	Stopper R3030	10003380
16	1	Cotter pin 2,5x16	10006514
17	1	Buffer D30/20	10009504
18	2	Washer ISO 7089-6-200 HV	10006175
19	18	Washer ISO 7089-10-200 HV	10006186
20	2	Screw M8x80 8.8 PN-EN ISO 4014	10005622
21	2	Washer ISO 7089-1-6-200 HV	10006177
22	4	Washer ISO 7089-1-8-200 HV	10006180
23	2	Self-locking nut M6-8 A2J	10006278
24	3	Self-locking nut M8-8 A2J	10006281
25	9	Self-locking nut M10-8 A2J	10006286
26	2	Screw M6x50 8.8 PN-EN ISO 4014	10005523
27	5	Screw M10x55 8.8 PN-EN ISO 4014	10005684
28	4	Screw M10x80 8.8 PN-EN ISO 4014	10005708
29	4	Washer ISO 7089-8-200 HV	10006178
30	2	Connector joint 48	PG128635
31	2	Screw M8x25 8.8 PN-EN ISO 4017	10005556



15.1

POST COMPLETE

PG139314

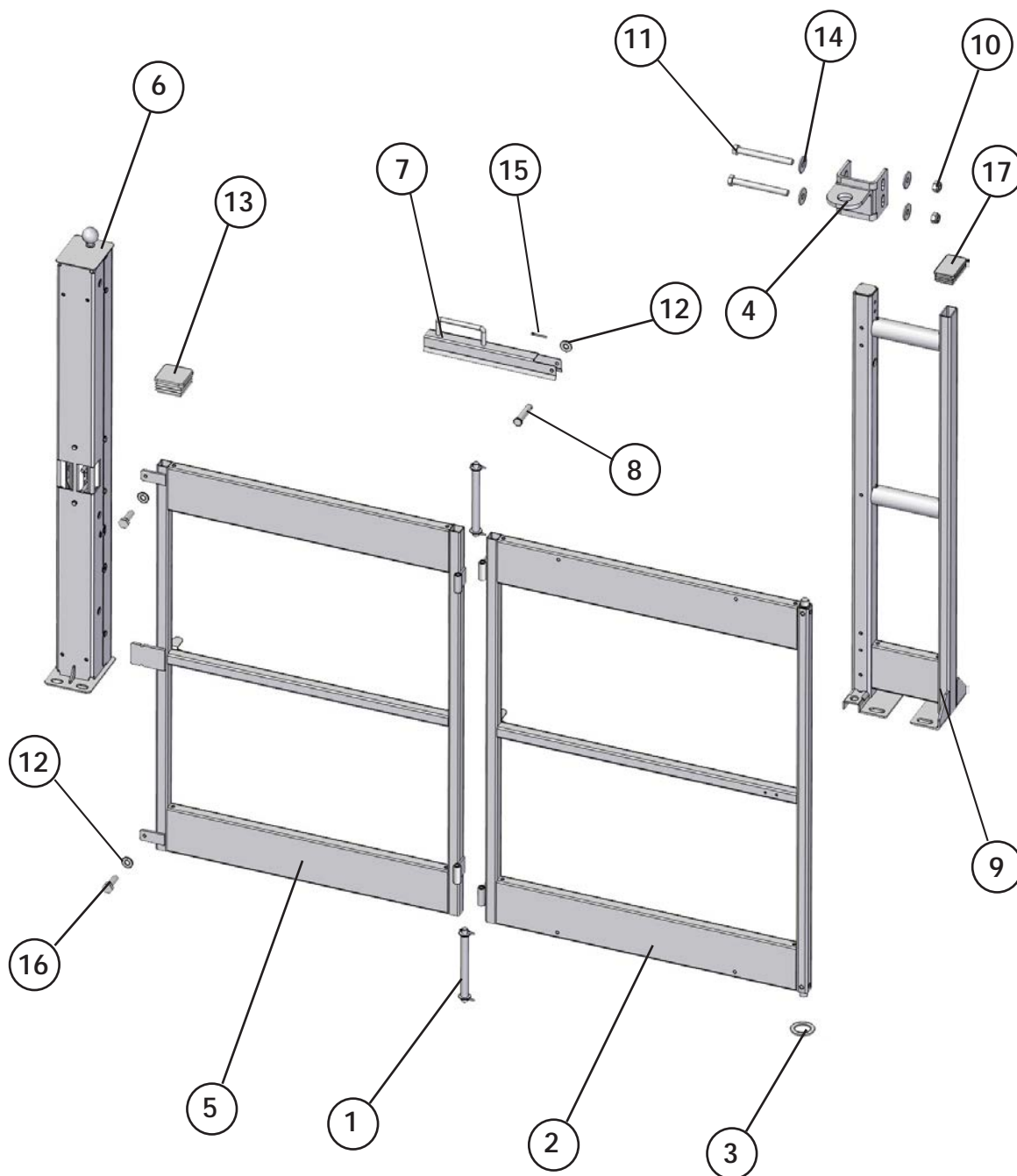


NO	QTY	DESCRIPTION	PART NO.
1	1	Universal post	PG140259
2	1	Post cover	PG146779
3	1	Railing	PG146775
4	4	Washer ISO 7089-6-200 HV	10006178
5	4	Screw M6x16 KF	10005504
6	3	Screw M8x45 8.8 PN-EN ISO 4014	10005589
7	1	Screw M8x20 8.8 PN-EN ISO 4017	10005548

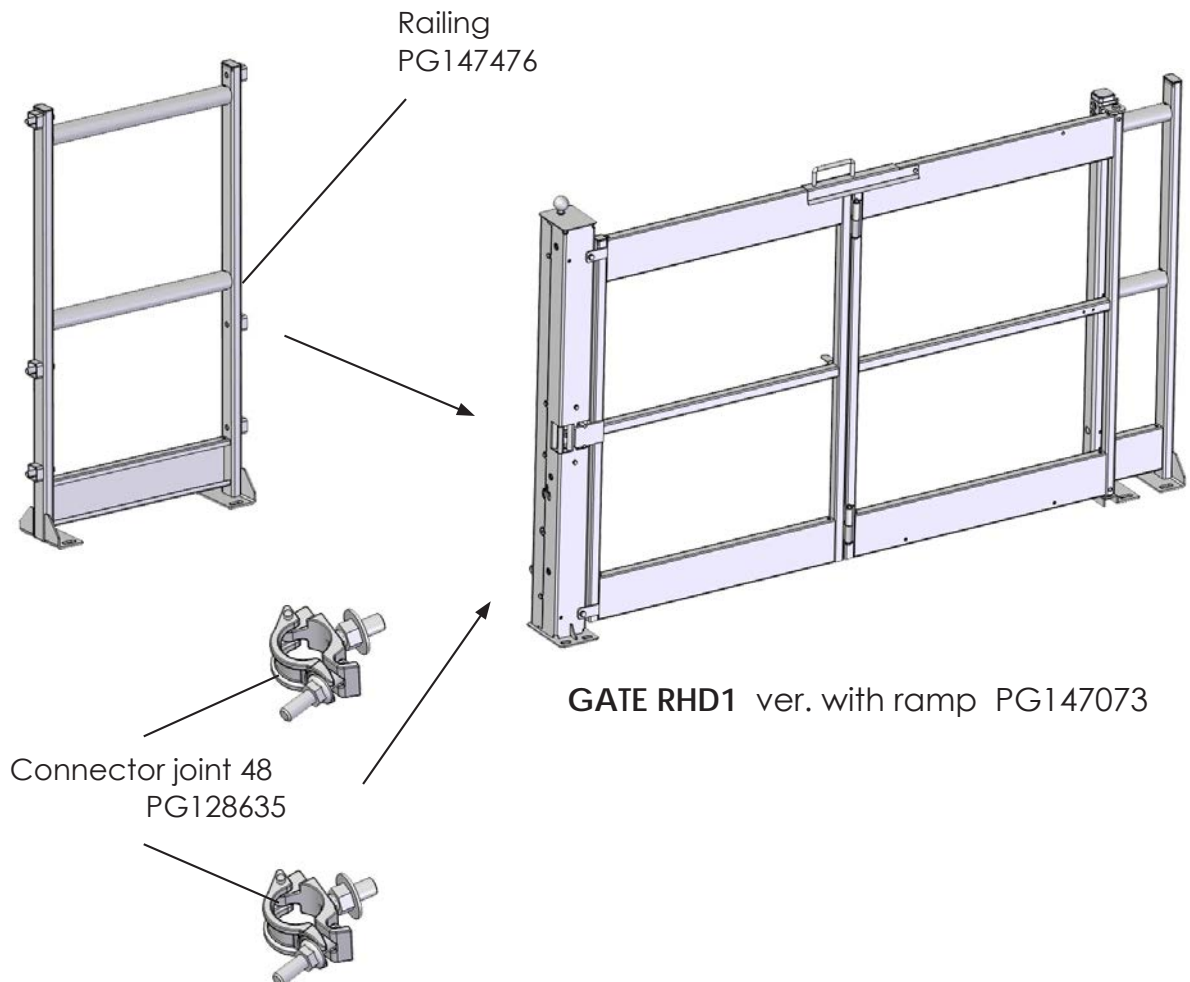
15B

LANDING GATE RHD1 ver. with ramp

PG147073



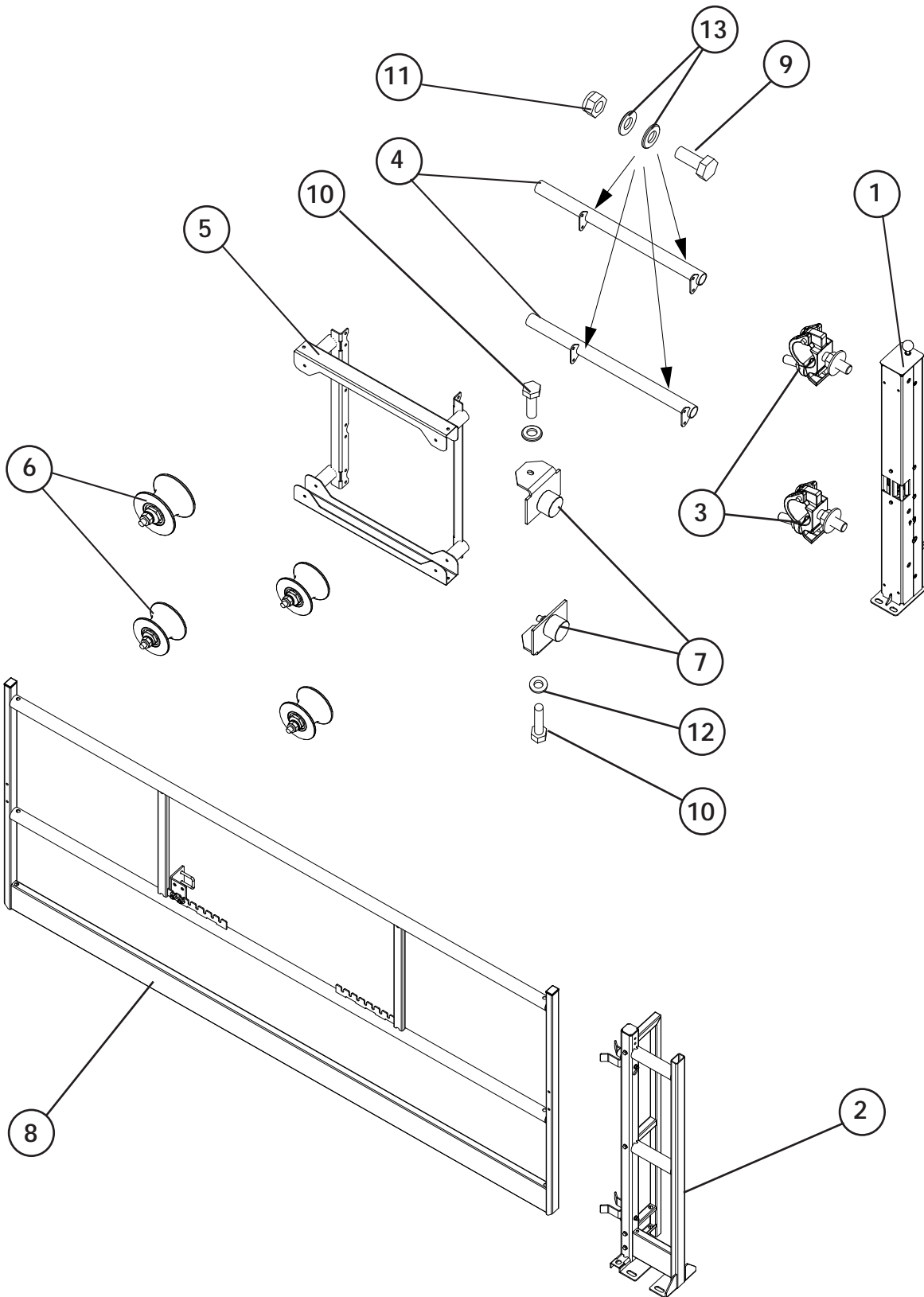
NO	QTY	DESCRIPTION	PART NO.
1	2	Tie complete	PG147077
2	1	Half gate 1	PG147001
3	1	Washer	PG147016
4	1	Hinge 2	PG140346
5	1	Half gate 2	PG147023
6	1	Post complete	PG139309
7	1	Blocking	PG140554
8	1	Pin	PG140556
9	1	Railing 210 RHD1	PG147010
10	2	Self-locking nut M8-8 A2J	10006281
11	2	Screw M8x80 8.8 PN-EN ISO 4014	10005622
12	3	Washer ISO 7089-8-200 HV	10006178
13	1	Stopper R3030	10003380
14	4	Washer ISO 7089-1-8-200 HV	10006180
15	1	Cotter pin 2,5x16	10006514
16	2	Screw M8x25 8.8 PN-EN ISO 4017	10005556
17	1	Stopper 50x30	10008552



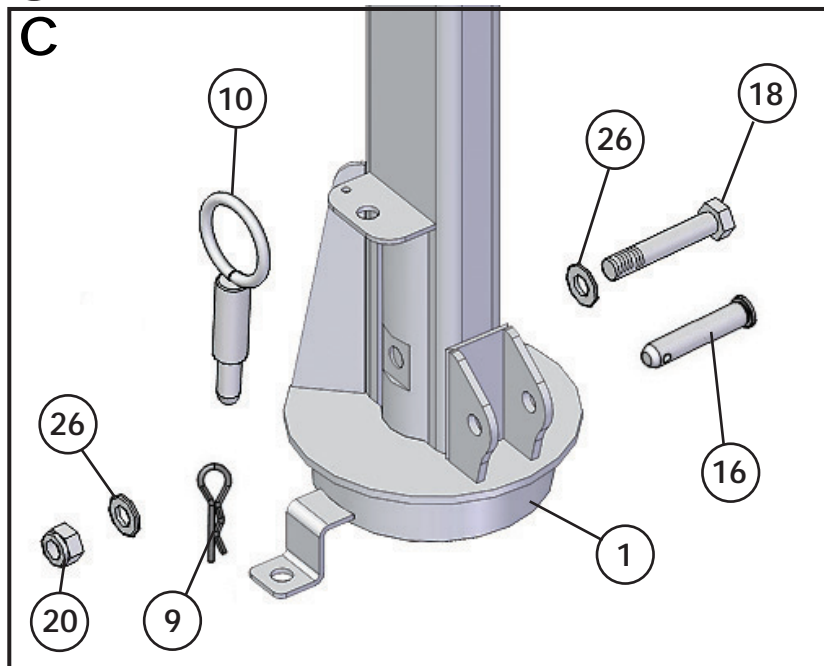
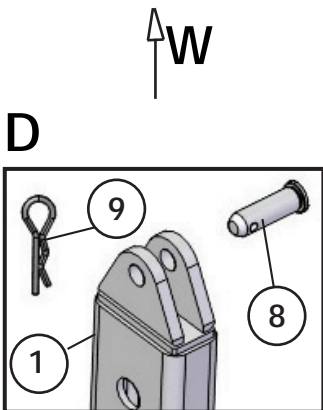
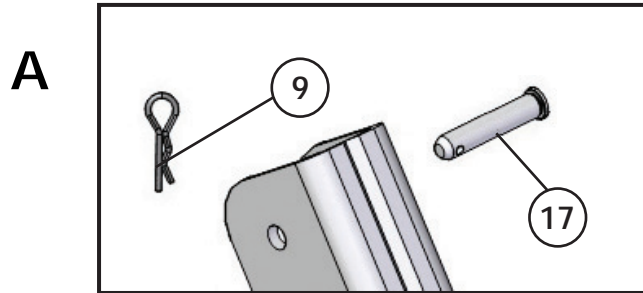
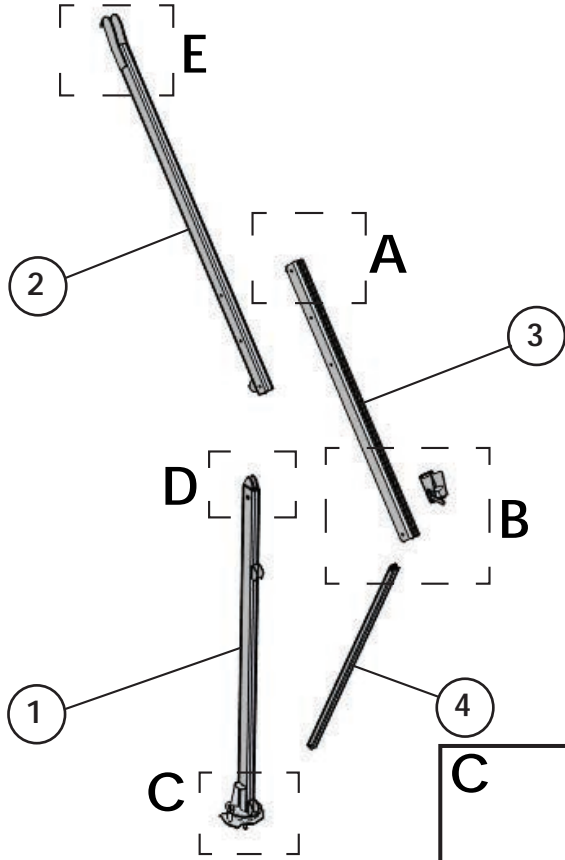
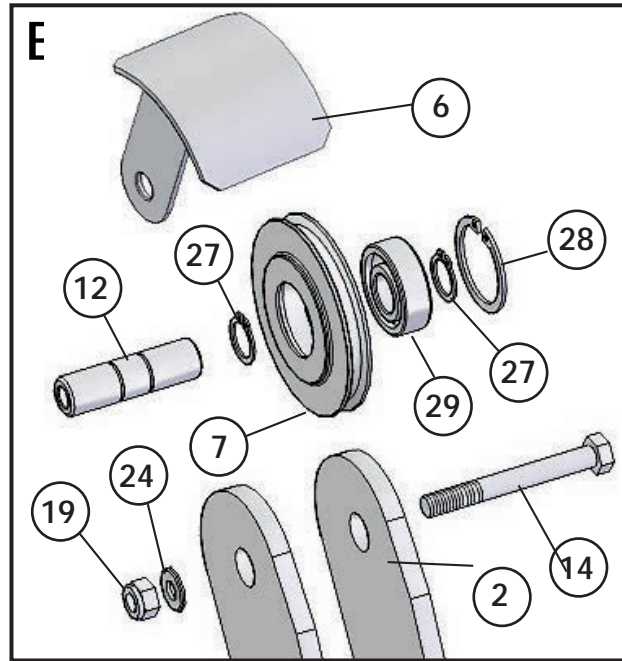
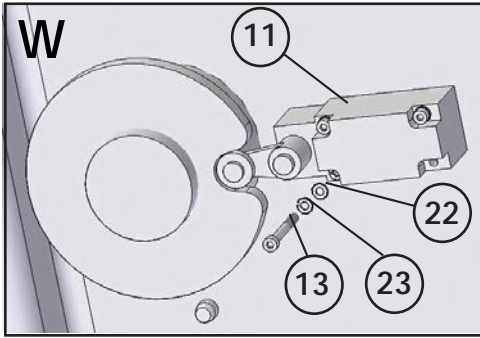
16

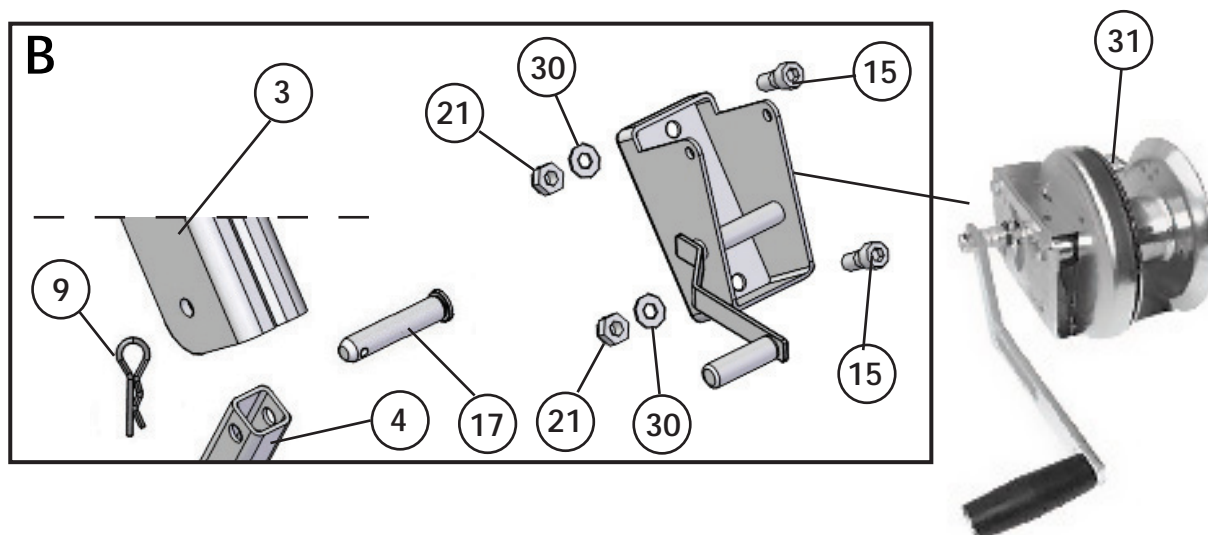
LANDING GATE RHD2

PG147116

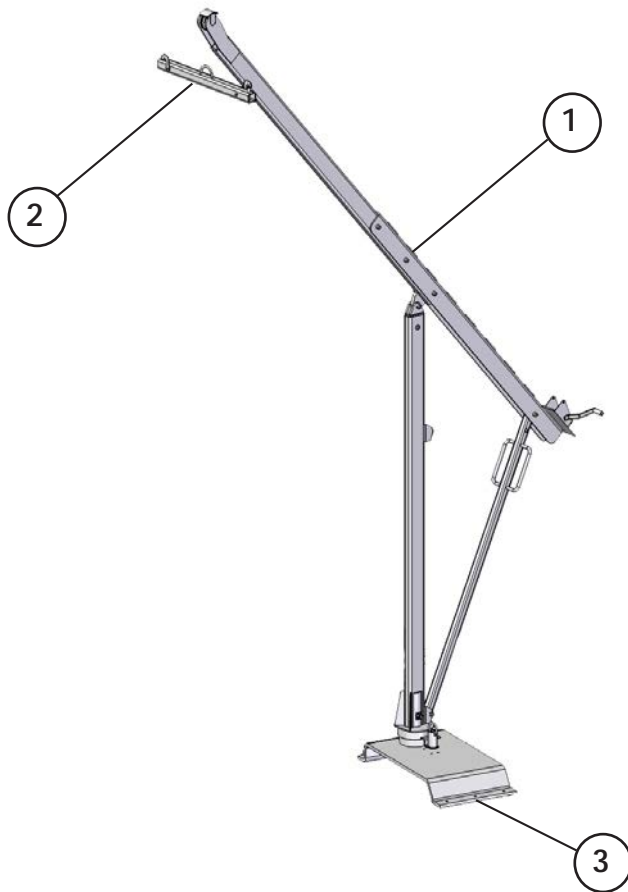


NO	QTY	DESCRIPTION	PART NO.
1	1	Post complete	PG139309
2	1	Post 2	PG147201
3	2	Connector joint 48	PG129635
4	2	Pipe	PG141018
5	1	Frame	PG149497
6	4	Roller complete	PG149490
7	2	Buffer complete	PG149516
8	1	Sliding gate complete	PG149533
9	8	Screw M10x25 8.8 PN-EN ISO 4017	10005653
10	2	Screw M6x20 8.8 PN-EN ISO 4017	10005510
11	8	Self-locking nut M10-8 A2J	10006286
12	2	Washer ISO 7089-6-200 HV	10006175
13	16	Washer ISO 7089-8-200 HV	10006186





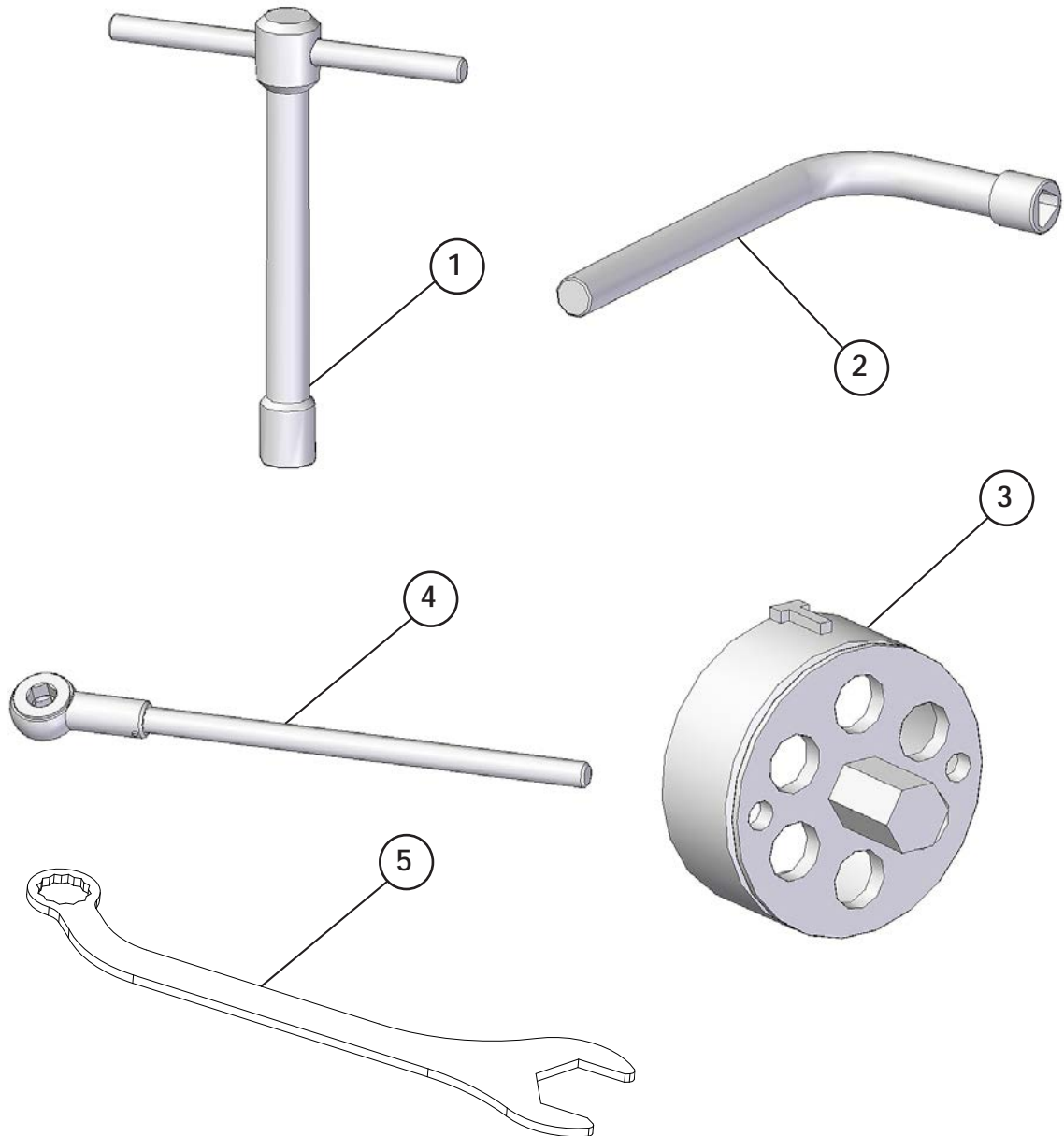
NO	QTY	DESCRIPTION	PART NO.
1	1	Column	PG117863
2	1	Arm	PG117833
3	1	Short arm of crane	PG117838
4	1	Beam	PG117840
6	1	Cover	PG119622
7	1	Wheel	PG117746
8	1	Safety pin	PG117591
9	6	Locking splint	PG100168
10	1	Safety pin	PG117716
11	1	Switch XCK-J10513	10002888
12	1	Roller axle	PG117876
13	12	Screw M5x45 8.8 A4J	10005477
14	1	Screw M8x70 5.8 A4J	10005613
15	2	Screw M10x25 8.8 A4J	10008062
16	1	Safety pin	PG121898
17	4	Safety pin	PG121897
18	1	Screw M12x70 10.9 A4J	10008063
19	1	Nut M8 8B	10006281
20	6	Nut M12 A4-80	10006292
21	1	Nut M10 8A	10006286
22	4	Washer 5,3	10006173
23	4	Spring washer Z5,1	10006231
24	2	Washer 8,4 Fe/Zn12bcA	10006178
25	12	Washer ISO 7093-1-10-200 HV	10006189
26	1	Washer ISO 7089-12-200 HV	10006196
27	2	Spring retaining ring Z15	10000888
28	1	Spring retaining ring W35	10000899
29	2	Ball bearing 6220	10000103
30	4	Washer ISO 7089-10-200 HV	10006186
31	1	Winch WP500 cat. Knott	10000281



NO	QTY	DESCRIPTION	PART NO.
1	1	Mast section lifting arm	PG121983
2	1	Hang	PG121920
3	1	Bracket complete	PG118320

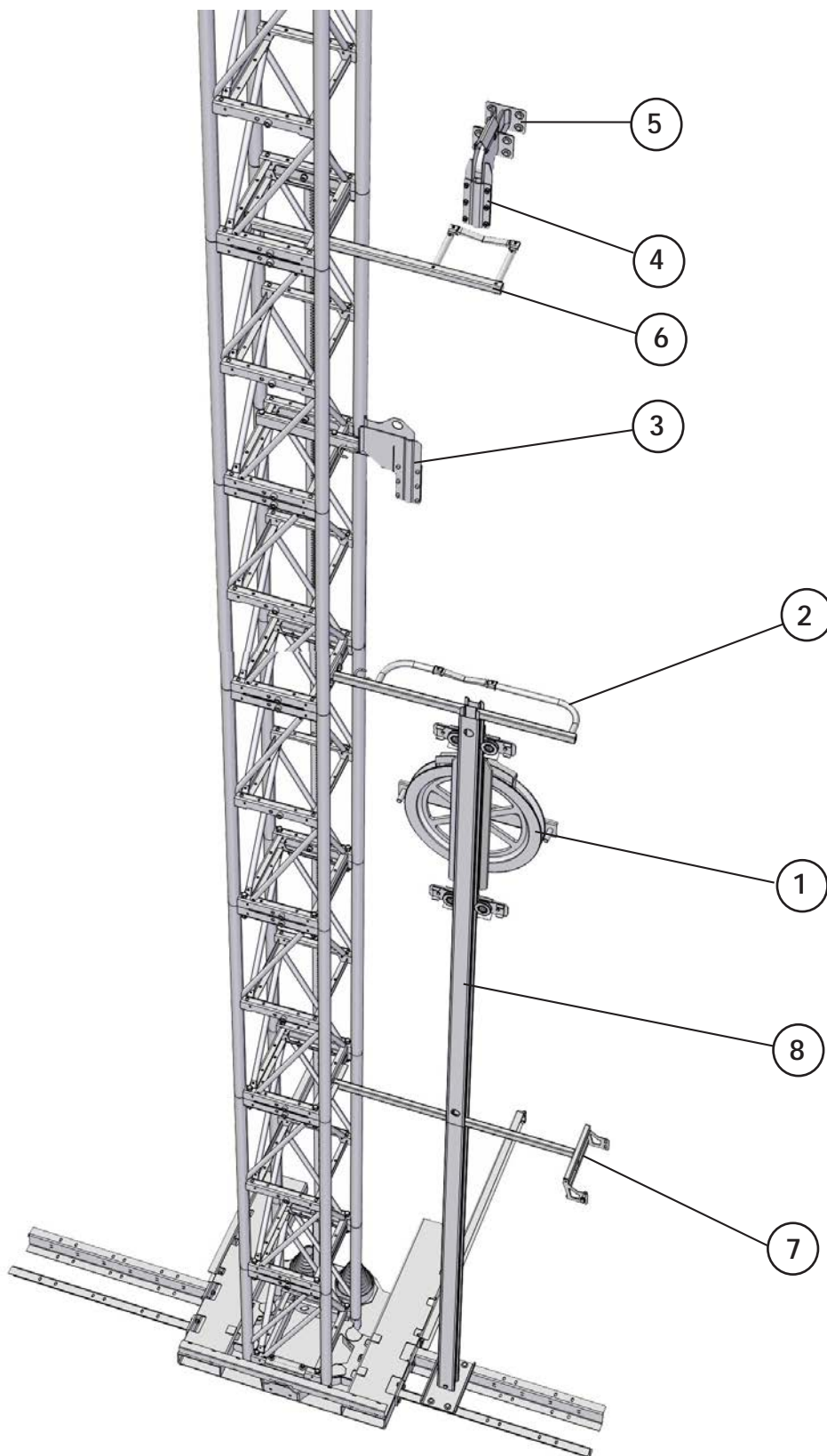
18

TOOLS



NO	QTY	DESCRIPTION	PART NO.
1	1	Triangular key	PG117331
2	1	Landing door locking beam key	PG104471
3	1	Safety brake tool	PG113370
4	1	Jack wrench	PG105051
5	1	Special key for rollers	PG122888

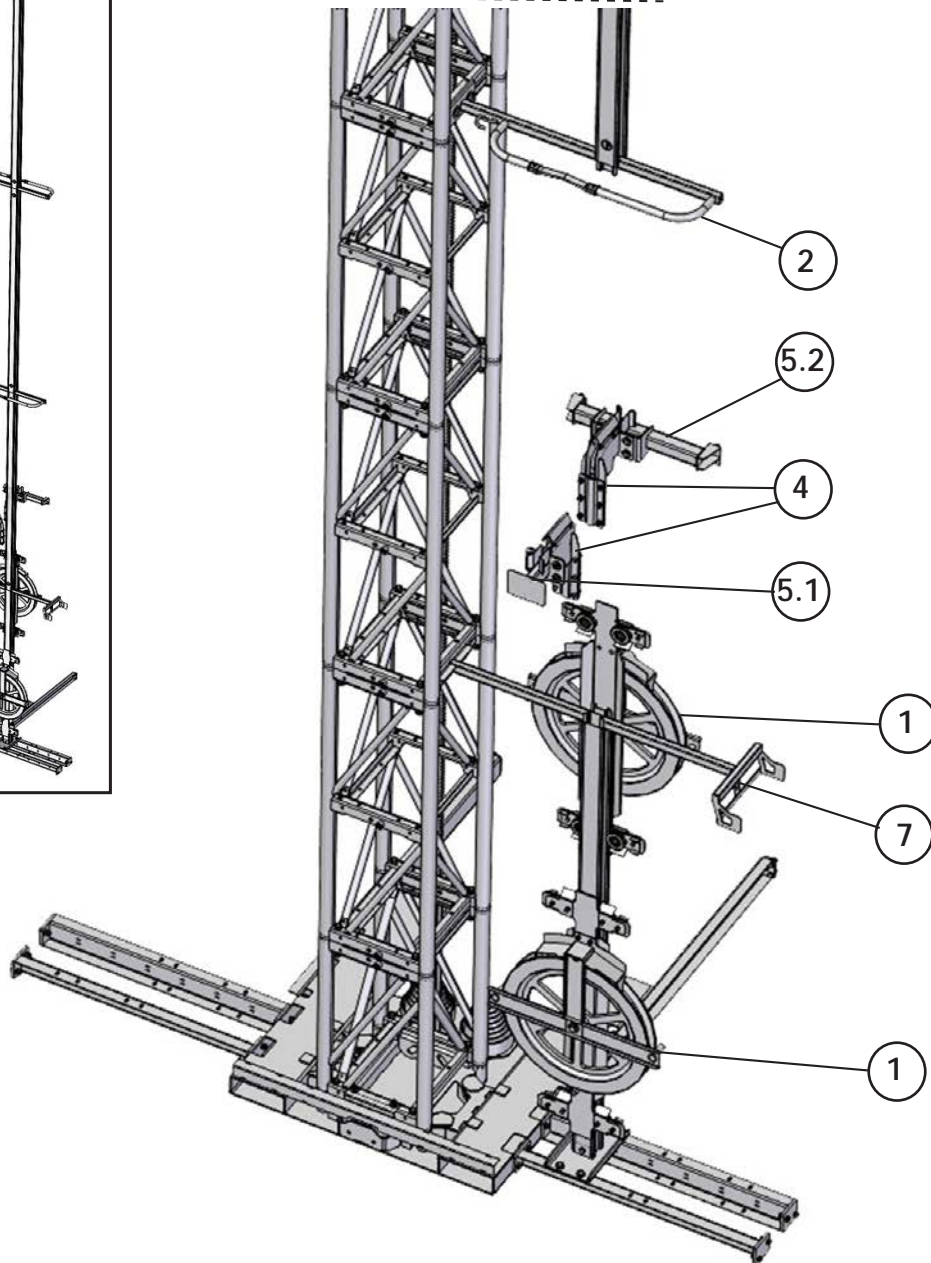
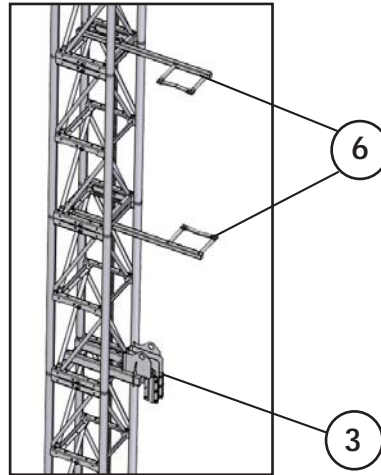
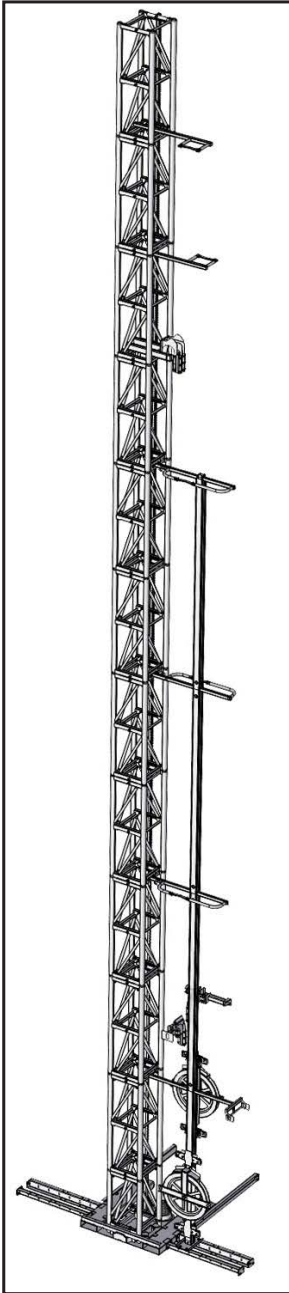
19 CABLE TROLLEY WITH SEPARATE RAIL



19

NO	QTY	DESCRIPTION	PART NO.
1	1	Cable trolley	PG129634
2		Cable guide for cable trolley	PG129644
3	1	Cable holder on the mast - left	PG129729
4	1	Cable holder on the cage	PG129693
5	1	Cable holder adapter	PG129720
6		Cable guide complete	PG125402
7	1	Rail bracket	PG129652
8		Rail	PG106527

19.1 CABLE TROLLEY - TWIN SC1432

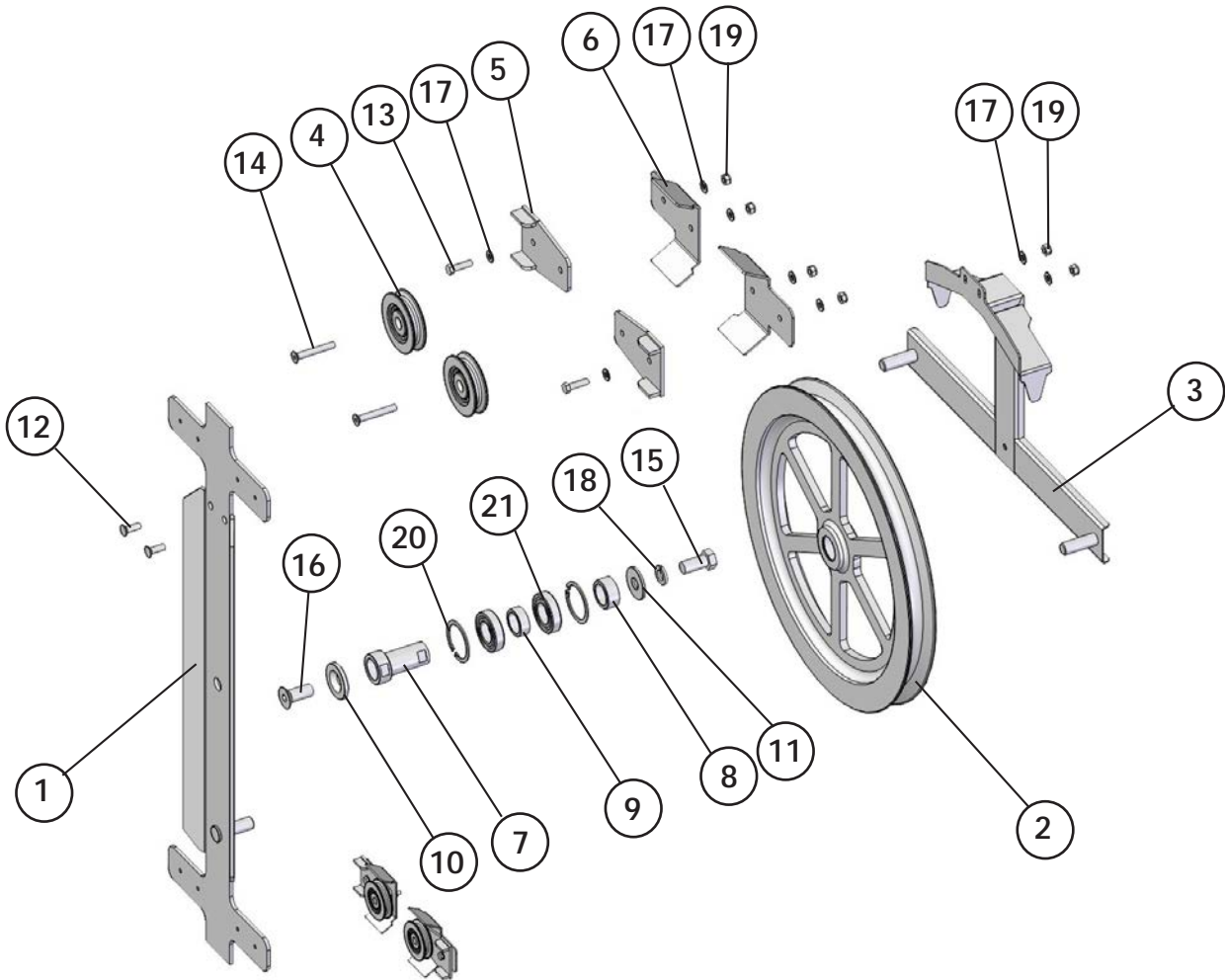


NO	QTY	DESCRIPTION	PART NO.
1	1	Cable trolley	PG129634
2		Cable guide for cable trolley	PG129644
3	1	Cable holder on the mast - left	PG129729
4	1	Cable holder on the cage	PG129693
5.1	1	Cable holder adapter - left cage	PG129720
5.2	1	Cable holder adapter - left cage	PG130761
6		Cable guide complete	PG125402
7	1	Rail bracket	PG129652

19.2

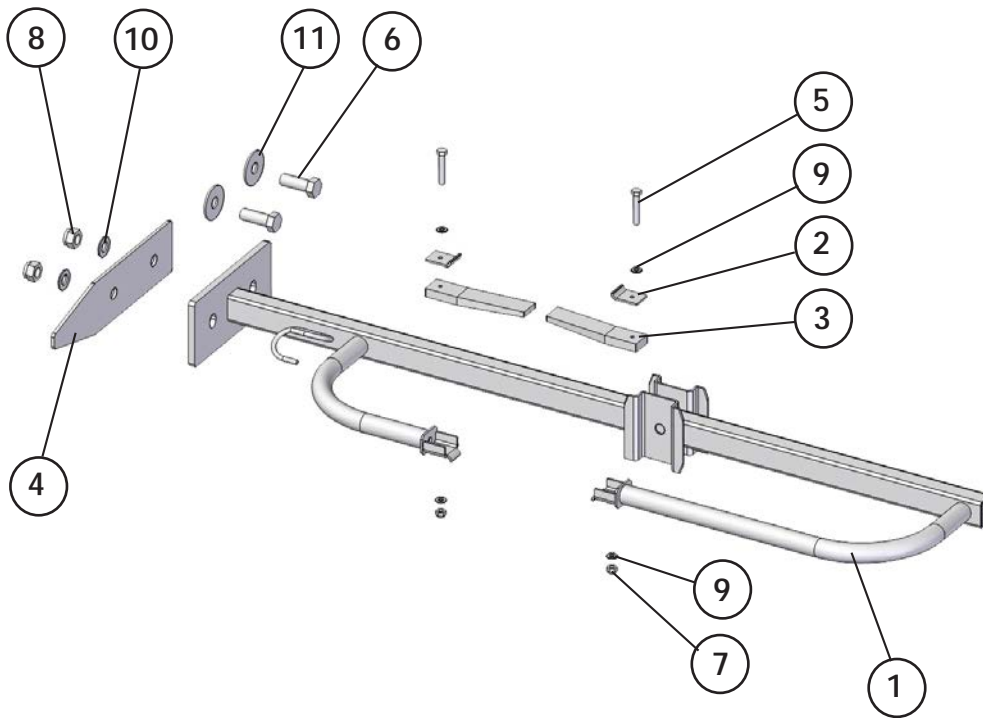
CABLE TROLLEY

PG129634



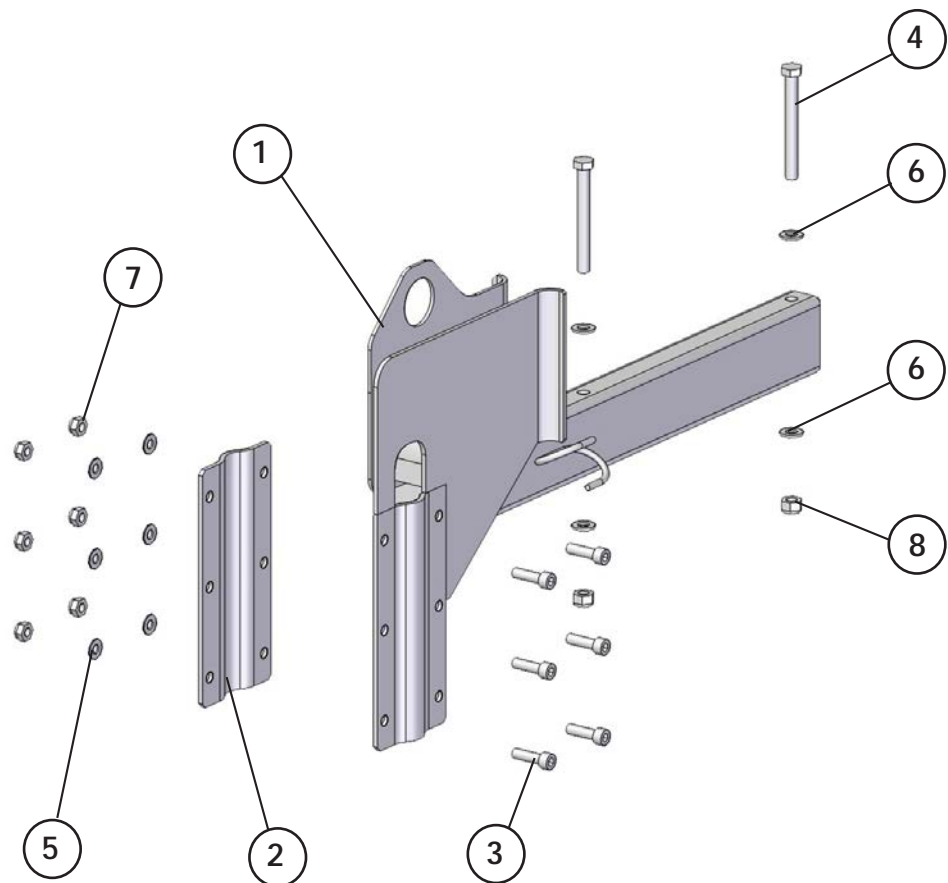
NO	QTY	DESCRIPTION	PART NO.
1	1	Console	PG129672
2	1	Cable wheel	PG108742
3	1	Cover	PG129635
4	4	Roller compl.	PG129669
5	4	Plate	PG117106
6	4	Roller cover	PG116977
7	1	Sleeve	PG129511
8	1	Sleeve	PG129513
9	1	Sleeve	PG129512
10	1	Washer	PG129509
11	1	Washer	PG129514
12	2	Screw M8x20 8.8 A4J	10005564
13	4	Screw M8x30 8.8 A4J	10005567
14	4	Screw M8x60 ISO10642	10007797
15	1	Screw M16x35 8.8 A4J	10005796
16	1	Screw M16x45 8.8 A4J	10005805
17	14	Washer ISO 7089-8-200 HV	10006178
18	1	Spring washer Z 16,3	10006245
19	10	Self-locking nut M8-8	10006281
20	2	Seal ring W55	10000908
21	2	Baal bearing 6006 2RS	10000091

19.3 CABLE GUIDE FOR CABLE TROLLEY PG129644



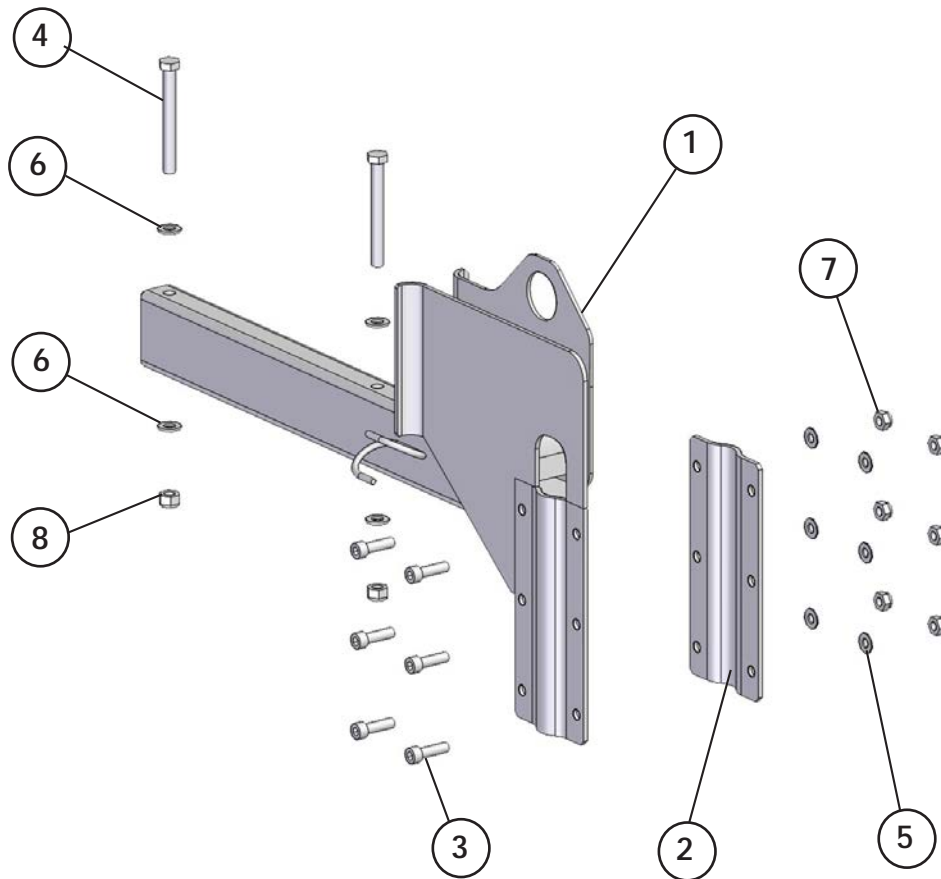
NO	QTY	DESCRIPTION	PART NO.
1	1	Cable guide frame	PG129645
2	2	Plate	PG127718
3	2	Elastic limiter	PG102558
4	1	Plate	PG129507
5	2	Screw M5x30 8.8 A4J	10005467
6	2	Screw M16x45 8.8 A4J	10005804
7	2	Nut M5 5B A4J	10006273
8	2	Self-locking nut M16-8 A3J	10006294
9	4	Washer 5,3 Fe/Zn12bcA	10006171
10	2	Washer ISO 7094-94-100 HV A4J	10006207
11	2	Washer ISO 7093-1-6-200 HV A4J	10006205

19.4 CABLE HOLDER ON THE MAST - LEFT PG129729



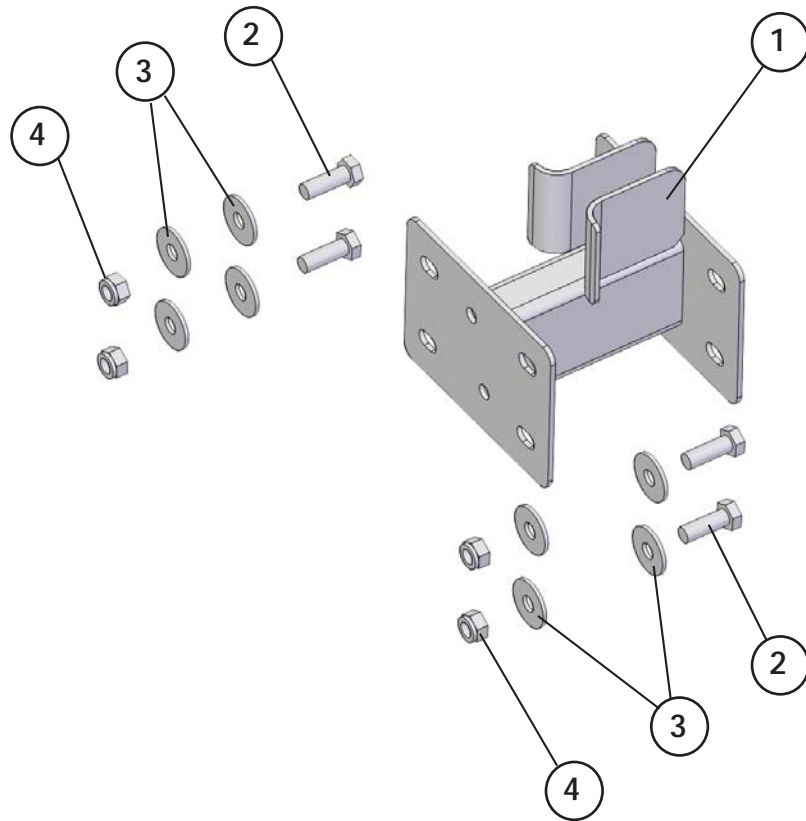
NO	QTY	DESCRIPTION	PART NO.
1	1	Cable holder	PG129726
2	1	Sheet metal	PG106249
3	6	Screw M10x35 8.8 A4J	10005668
4	2	Screw M12x110 8.8 A4J	10005771
5	6	Washer ISO 7089-10-200 HV A4J	10006186
6	4	Washer ISO 7089-12-200 HV A4J	10006196
7	6	Self-locking nut M10 8 A2J	10006286
8	6	Self-locking nut M12 8 A3J	10006291

19.5 CABLE HOLDER ON THE MAST - RIGHT PG129724



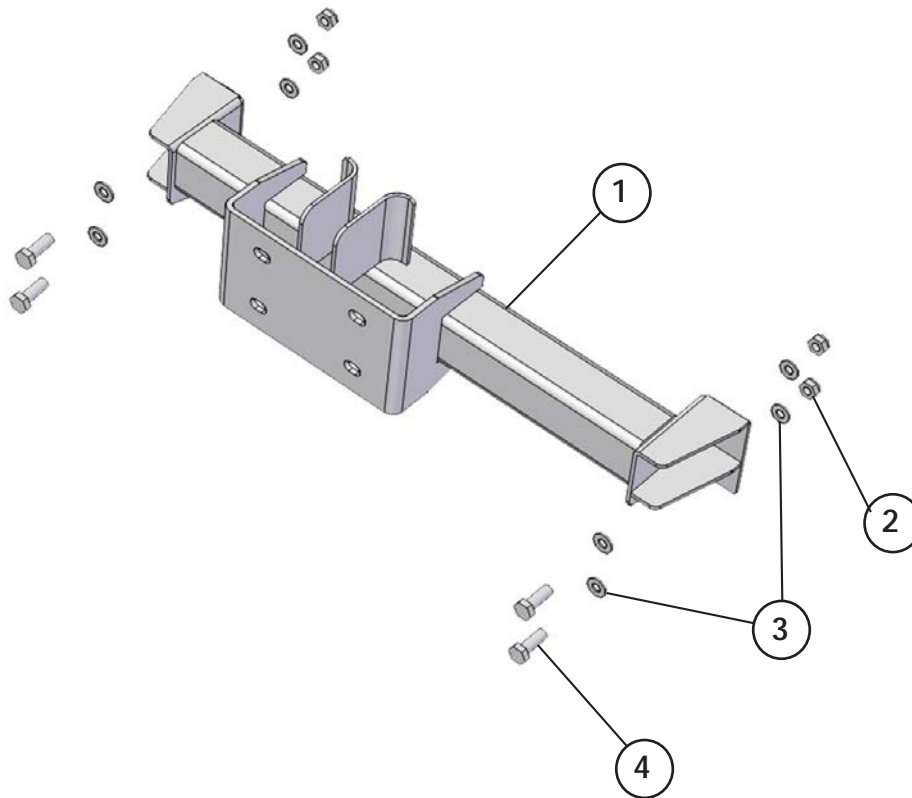
NO	QTY	DESCRIPTION	PART NO.
1	1	Cable holder right	PG129707
2	1	Sheet metal	PG106249
3	6	Screw M10x35 8.8 A4J	10005668
4	2	Screw M12x110 8.8 A4J	10005771
5	6	Washer ISO 7089-10-200 HV A4J	10006186
6	4	Washer ISO 7089-12-200 HV A4J	10006196
7	6	Self-locking nut M10 8 A2J	10006286
8	6	Self-locking nut M12 8 A3J	10006291

19.6 CABLE HOLDER ADAPTER - left cage PG129720



NO	QTY	DESCRIPTION	PART NO.
1	1	Cable holder adapter	PG129717
2	4	Screw M12x35 8.8 A4J	10005738
3	8	Washer ISO 7093-1-12-200 HV A4J	10006194
4	4	Nut M12 8B A4J	10006291

19.7 CABLE HOLDER ADAPTER - right cage PG130761

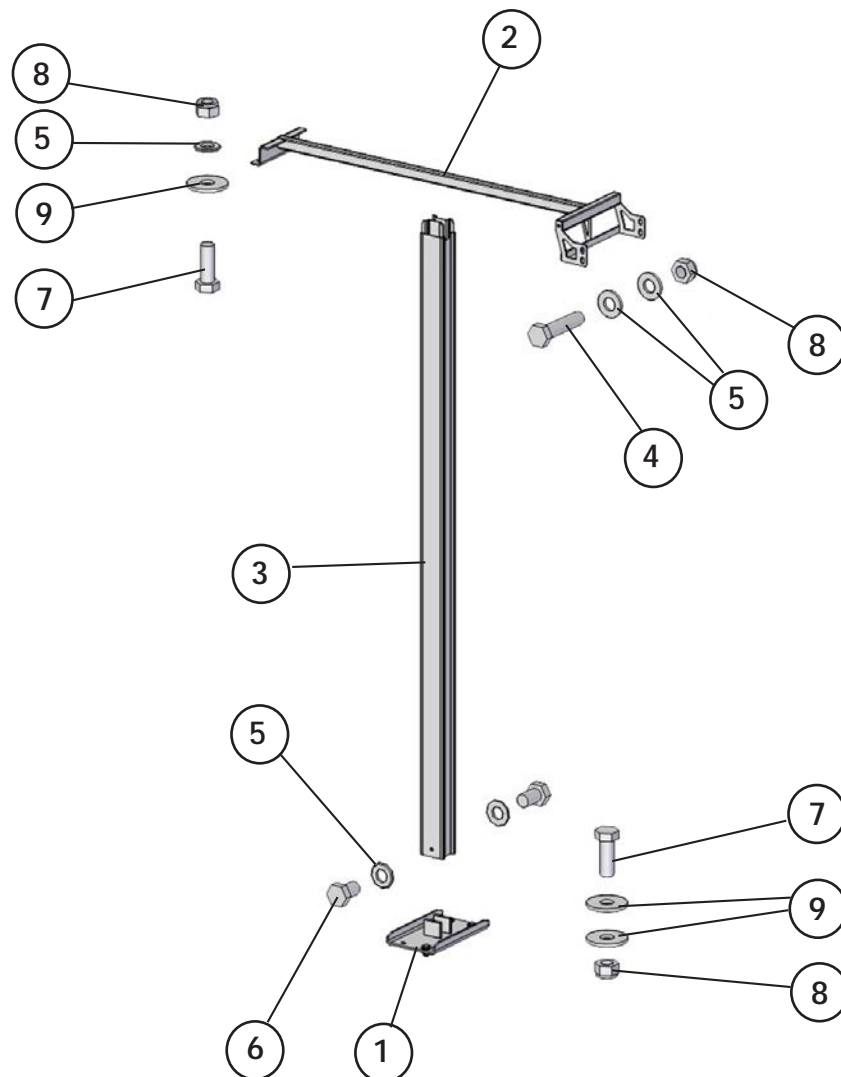


NO	QTY	DESCRIPTION	PART NO.
1	1	Cable holder adapter	PG130781
2	4	Screw M10x30 8.8 A4J	10005657
3	8	Washer ISO 7089-10-200 HV A4J	10006186
4	4	Self locking nut M10-8 A2J	10006286

19.8

RAIL BRACKET

PG129652



NO	QTY	DESCRIPTION	PART NO.
1	1	Bottom bracket	PG123517
2	1	Top bracket	PG129654
3	1	Rail	PG129655
4	4	Screw M12x60 8.8 A4J	10005757
5	9	Washer ISO 7089-12-200 HV A4J	10006169
6	2	Screw M12x20 8.8 A4J	10005726
7	6	Screw M12x35 8.8 A4J	10005738
8	10	Self-locking nut M12-8 A3J	10006291
9	10	Washer ISO 7093-1--12-200 HV A4J	10006294